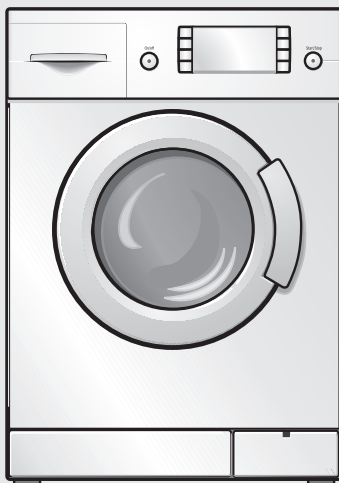




washing machine



en Instruction Manual and
Installation Instructions



Household Appliances

Internet: <http://www.bosch-hausgeraete.de>

BOSCH

Table of Contents

Your Bosch washing machine	3	Changing the programme sequence	34
Information concerning waste disposal	3	Changing selected settings	34
Disposing of the packaging	3	Topping up or removing washing	35
Disposing of your old appliance	3	Cancelling active programme	35
Protection of the environment / Hints and tips	4	After washing	36
General safety instructions	4	Removing the washing	37
Introducing your washing machine	5	"Rinse stop" preselected?	37
Control panel	6	"Childproof lock: ON" preselected?	38
Before using your washing machine for the first time	7	Saving your favourite programmes	39
Selecting the language	7	Demo programmes	40
Washing cycle without laundry	8	Emergency lock release	40
Setting the time	10	Special applications	41
Preparing and sorting the washing	12	Soaking	41
Preparing the washing	12	Starching	41
Sorting the washing	12	Dyeing	41
Detergents and cleaning products	15	Bleaching	41
Dosing detergent	15	Cleaning and Care	42
Adding detergent/ cleaning product	15	Housing and control panel	42
Programmes and functions	16	Drum	42
Programme	16	Detergent drawer	42
Programme options	19	Drain pump	43
Stains info	20	Filter in the water inlet hose	44
Additional options – Options	21	Descaling the washing machine	44
Detection and control systems	22	What to do if...	45
Washing	23	Fault displays	49
Changing the settings of the selected programme	26	Consumption values	50
Overview at a glance	26	Customer service	51
Overview	27	Installing, connecting and transporting the appliance	52
Washing temperature	27	Safety instructions	52
Spin speed	28	Standard accessories	53
Options / Extras	28	Dimensions	54
Specifying the end of the programme – "Delayed start"	29	Installation surface	54
Changing standard settings	30	Transportation protection devices	55
Time	30	Hose and-cable lengths	56
Signal	30	Connecting the water	57
Childproof lock / Appliance lock	31	Aligning the washing machine	58
Resetting standard settings	33	Connecting the power	59
		Transporting the washing machine	60
		Aqua Stop warranty	61
		Index	62

Your Bosch washing machine

With the purchase of your new Siemens washing machine you have decided on a modern, high-quality domestic appliance.

Your washing machine is distinguished by its economical consumption of energy, water and detergent.

Each washing machine which leaves our factory is checked carefully to ensure that it functions properly and is in perfect condition. If you have any questions – especially with respect to installing and connecting your washing machine – please do not hesitate to contact our customer service department.

Further information and a selection of our products can be found on our Internet page:

<http://www.bosch-hausgeraete.de>

Please read these operating and installation instructions and all other information enclosed with the washing machine and act accordingly.

These operating and installation instructions describe various models which are distinguished by their selectable spin speeds.

Retain all documentation for subsequent use or for the next owner of the appliance.

Information concerning waste disposal

Disposing of the packaging

Your new appliance was delivered to you in protective packaging. All utilised materials are ecologically harmless and recyclable. Please help by disposing of packaging in an environmentally friendly manner.

Please ask your dealer or inquire at your local authority about current means of disposal.

⚠ Risk of choking!

Do not let children play with packaging and associated parts. Risk of choking on plastic film and collapsible cardboard boxes.

Disposing of your old appliance

Old appliances are not worthless rubbish! Valuable raw materials can be reclaimed by recycling old appliances.

⚠ Danger of death!

Unplug mains plug on redundant appliances. Cut off mains cable and discard with mains plug.

Destroy the lock on the door. This will prevent children from locking themselves in the appliance and suffocating.

Protection of the environment / Hints and tips

Your washing machine uses water, energy and detergent efficiently, thereby protecting the environment and reducing your household costs. See Page 50 for consumption values of your appliance.

Using your washing machine in an efficient and environmentally friendly manner:

- ❑ Do not exceed the maximum load. Comply with the specifications on the loading sensor. The washing machine should not be loaded beyond the 100 % display.
- ❑ Do not use prewash for lightly to normally soiled washing.
- ❑ Dose detergent, load amount of laundry and adjust water hardness according to the degree of soiling. Comply with dosing recommendation and manufacturer's instructions.
- ❑ If washing is then to be dried in the tumble dryer, select spin speed in accordance with the instructions supplied by the dryer manufacturer.

General safety instructions

Your washing machine is intended for

- use in the household only,
- washing machine-washable textiles in water,
- operation with cold drinking water and commercially available detergents and cleaning products which are suitable for use in washing machines.

Do not leave children unsupervised near the washing machine.

Keep pets away from the washing machine.

Do not insert/pull out the mains plug with wet hands.

Do not pull out the mains plug by tugging the cable.

Caution when draining hot water.

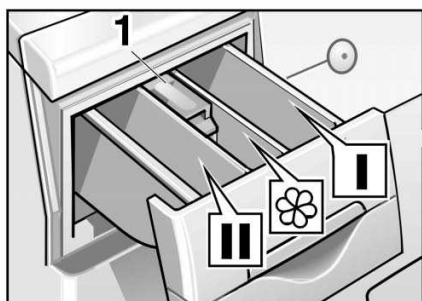
Do not climb onto the washing machine.

Do not lean on the open washing machine door.

Do not pull the emergency lock release until:

- the washing machine has been switched off,
- the drum has come to a standstill and
- the water has been drained.

Introducing your washing machine



Adding detergent/cleaning product

Dispenser I:

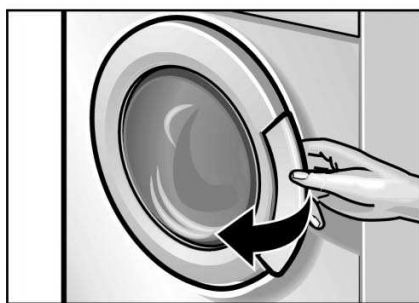
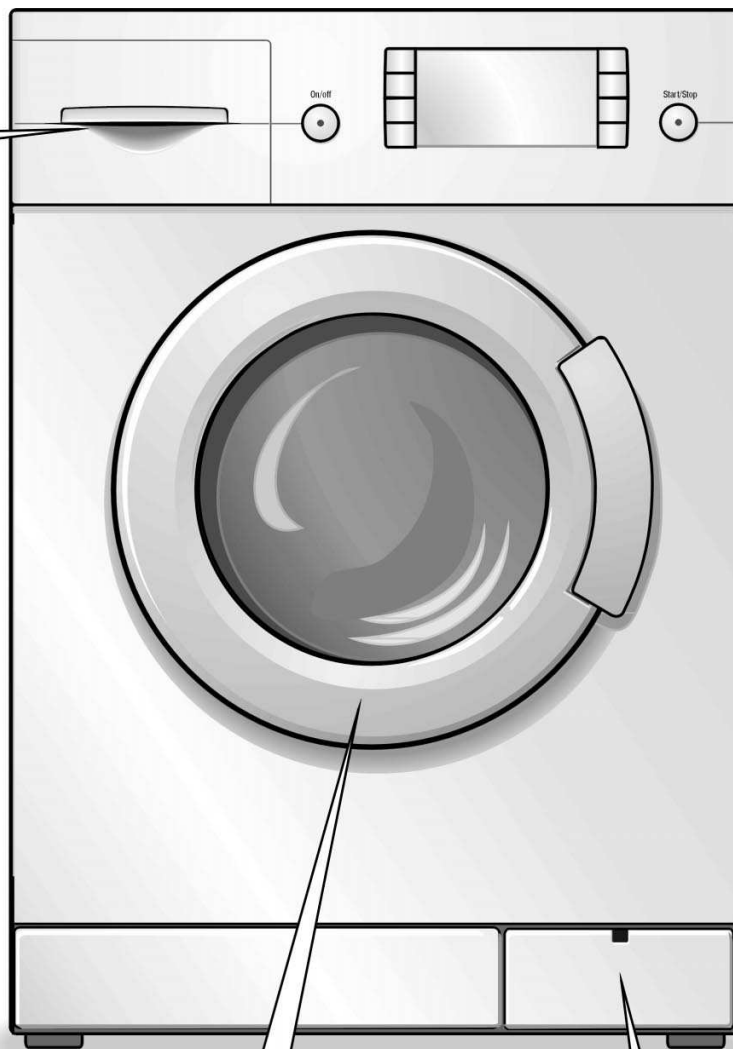
Detergent for prewash or starch.

Dispenser II:

Detergent for main wash, soaking agent, water softener, bleach or stain remover.

Dispenser ☼:

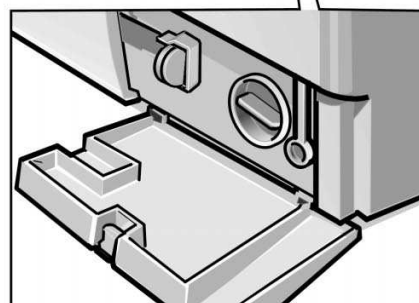
Cleaning product, e.g. fabric softener or fabric conditioner (do not fill above the lower edge of the insert 1).



Opening ...



and closing the door

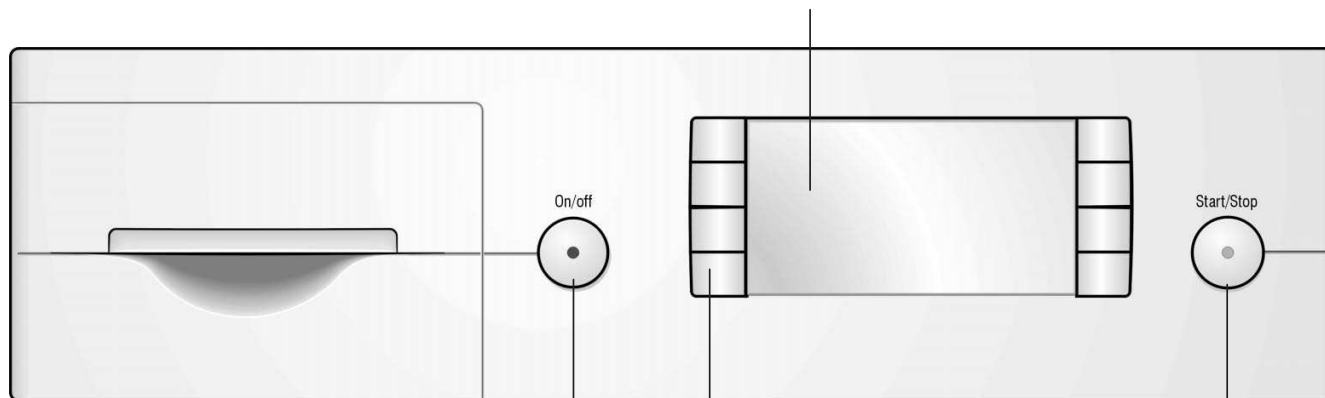


Service flap

Control panel

Display panel

Displays the settings to be changed or selected as well as the programme sequence.



Button "On/off" with indicator light

For switching on/off the washing machine.

Buttons on the display panel

For selecting programmes and additional options and for changing settings.

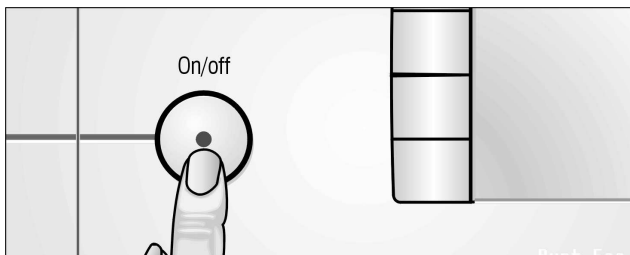
Button "Start/Stop" with indicator light

For starting or interrupting the washing process (programme must be selected).

Before using your washing machine for the first time

Warning

The washing machine must be properly installed and connected; see from Page 52.



Selecting the language

When you switch on the washing machine for the first time, you are prompted to select the language in which the texts are to be indicated on the display panel. The selected language setting is retained.

- Fully depress the "On/off" button.

The indicator light "On/off" comes on.



The language selection is indicated on the display panel.

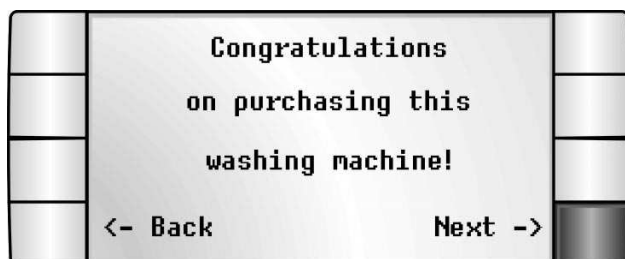
- Other languages can be selected by pressing the "...>" and "<..." buttons.



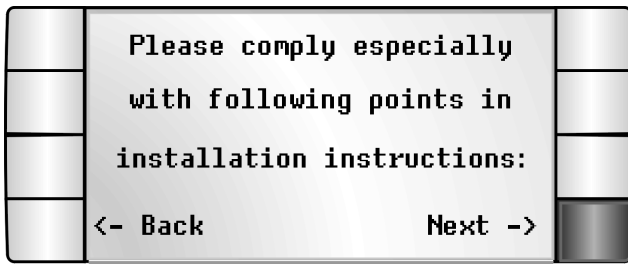
- Select the desired language, e. g. press the "English" button.

- You can change an already selected language by resetting the standard settings (Option 2), see Page 33.

The display "Congratulation"

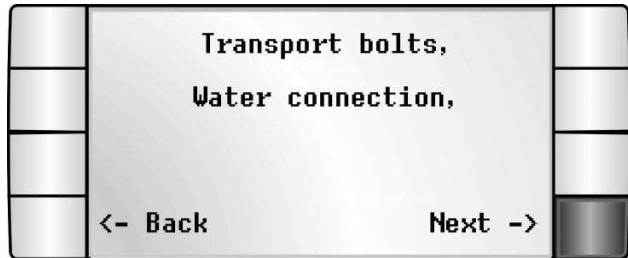


- Press the "Next" button



Installation instructions.

- Press the "Next" button



Installation instructions.

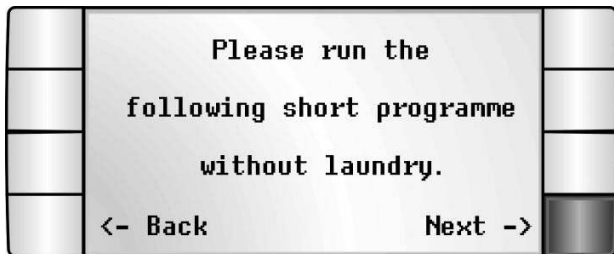
- Press the "Next" button



Installation instructions.

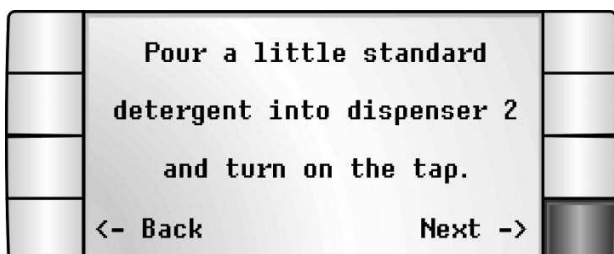
- Press the "Next" button

Washing cycle without laundry



The washing machine was tested before leaving the factory. To remove any residual test water, wash the first time without any washing.

- Close the washing machine door.
- Press the "Next" button



- Pull out the detergent drawer all the way.
- Pour approx. 1 litre of water (1 ¾ pt) into dispenser II of the detergent drawer.

- Pour approx. ¼ measuring beaker of detergent into dispenser II.

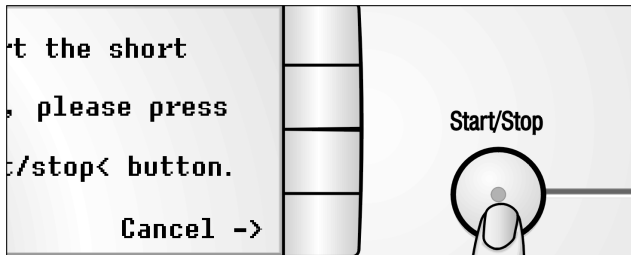
- i** Do not use any special detergents for woollens or delicates (foam formation).

- Close the detergent drawer.



The "Start/Stop" indicator light flashes. You can now start the short programme with the "Start/Stop" button.

i When the "Cancel" button is pressed, the first programme page is displayed immediately, the short programme is not run.



Press the "Start/Stop" button. The indicator light "Start/Stop" comes on. The programme starts.



The individual steps of the programme sequence are indicated on the display panel e.g. "Wash".

i When the clock is set, the time-of-day and end time are displayed, see Page 10

At the end of the short programme



The first programme page is indicated in the display field.

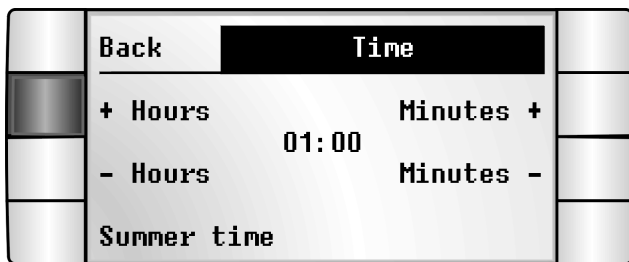
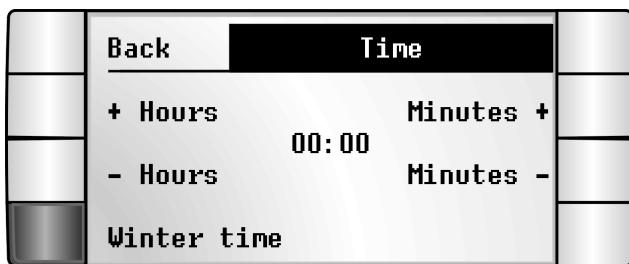
Fully depress the "On/off" button.

Open the washing machine door.

i Leave the washing machine door open to allow the interior of the washing machine to dry.

Your washing machine is now ready for use.

Setting the time



To be able to use all the functions of your washing machine, we recommend that you set the time before washing for the first time.

- Select any programme, e.g. press the "Cottons/Clrds" button.
The "Start/Stop" indicator light flashes.

i Before the time can be set, the door must be closed.

- Press the "Set clock" button.

- If required, press the "Winter time" button to switch from winter to summer time.

i Press the "Summer time" button to switch the time back to winter time.

- Set the hour display by pressing the "+ Hours" or "- Hours" button, e.g. press the "+ Hours" button.

i The "+ Hours" button increases the hours, the "- Hours" button reduces the hours.

The hour display can be increased or reduced quickly by holding down the "+ Hours" or "- Hours" button.



❑ Select the minute display by pressing the "Minutes +" or "Minutes -" button, e.g. press the "Minutes +" button.

i The "Minutes +" button increases the minutes, the "Minutes -" button reduces the minutes.

The minute display can be increased or reduced quickly by holding down the "Minutes +" or "Minutes -" button.

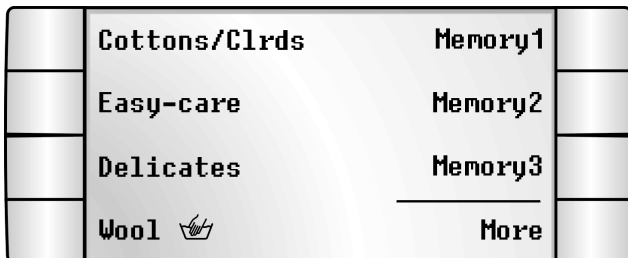
When the time has been selected:



❑ Press the "Back" button.



❑ Press the "Cancel" button.



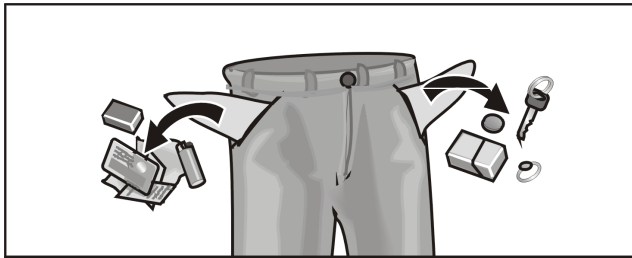
i The first programme page is indicated on the display panel.

Preparing and sorting the washing

Preparing the washing

Warning

Foreign objects (e.g. coins, paper clips, needles, nails) may damage the laundry items or components of the washing machine.



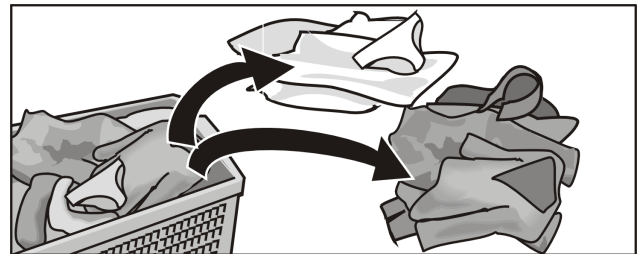
- Empty pockets of laundry items.
- Brush sand out of pockets and cuffs/turn-ups.
- Close zips, fasten pillow cases/cushion covers.
- Remove curtain runners or tie up in a net/bag.
- Wash in a net/cushion cover:
 - delicates, e.g. tights, curtains,
 - small laundry items, e.g. socks or handkerchiefs,
 - underwired bras (underwire may become detached during washing and cause damage).
- Trousers, knitwear and knitted textiles, e.g. jersey garments, T-shirts or sweatshirts should be turned inside out.

Sorting the washing

Warning

Washing may become discoloured. Do not wash new coloured washing with other washing.

According to colour



Washing may become discoloured or not clean properly. Wash white and coloured items separately. Wash laundry items together which have the same degree of soiling.

and degrees of soiling

lightly soiled

No visible soiling or stains. Washing has probably absorbed body odour.

- Light-weight summer clothing and sportswear worn for several hours.
- T-shirts, shirts, blouses worn for up to one day.
- Bed linen, guest towels used for one day.

normally soiled

Visible soiling and/or a few light stains.

- T-shirts, shirts, blouses soaked in sweat or worn several times.
- Underpants, briefs worn for one day.
- Tea towels, hand towels, bed linen used for up to one week.
- Curtains (without nicotine soiling) used for up to six months.

very soiled

Visible soiling and/or stains.

- Kitchen towels used for up to one week.
- Fabric serviettes.
- Baby bibs.
- Children's outer clothing or football jerseys and shorts soiled with grass and/or earth.
- Work clothes, e.g. mechanic's overalls, baker's and butcher's clothing.

Typical stains

- Skin grease, cooking oil/fat, sauces, mineral oil, wax (containing fat/oil).
- Tea, coffee, red wine, fruit, vegetables (which can be bleached).
- Blood, egg, milk, starch (containing protein, carbohydrate).
- Soot, earth, sand (pigments), tennis clothing soiled with red clay.

Removing stains

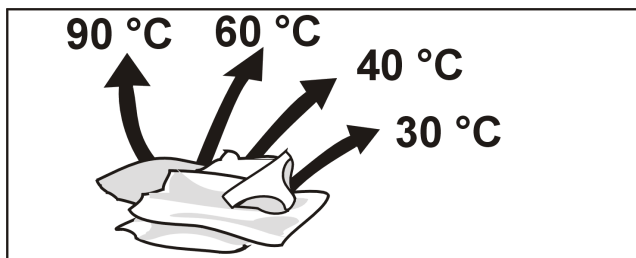
Remove/pretreat stains as soon as possible after they have occurred.

First dab with a soapy solution. Do not rub.

Then select the appropriate programme and wash the item.

Stubborn/dried in stains can sometimes only be removed by washing several times.

Sorting washing according to the instructions on the care labels



Only wash laundry items which bear the following care labels.



Cottons 95 °C, 90 °C



Coloureds 60 °C, 40 °C, 30 °C



Easy-care 60 °C, 40 °C, 30 °C



Delicates 40 °C, 30 °C



Hand-washable and machine-washable silk and wool, cold, 40 °C, 30 °C

Do not wash laundry items which bear the following care label in the washing machine:

= do not wash

Detergents and cleaning products

Dosing detergent

⚠ Risk of poisoning!

Keep detergents and cleaning products out of the reach of children.

Dose detergent according to

- the water hardness.
You can find out the water hardness from your water utility company.
- the specifications of the detergent manufacturer.
- the amount of laundry.
While you are filling the drum, the recommended detergent dosage is indicated on the display panel according to the washing programme and the load.
- the degree of soiling.
See from Page 12 for degrees of soiling.
- i** The correct dosage reduces the impact on the environment and produces a good washing result.

Pour liquid detergent into the corresponding dispenser.

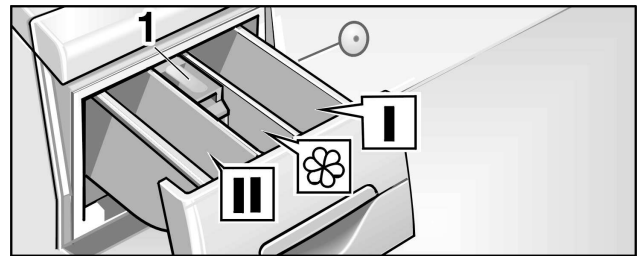
Too little detergent:

The laundry is not washed clean and eventually becomes grey and hard. Greyish-brown dots (grease spots) may stain the laundry. The heating elements are calcifying.

Too much detergent:

Impact on the environment, intensive foam formation, low washing agitation, unsatisfactory washing and rinsing results.

Adding detergent/cleaning product



Dispenser I

Detergent for prewash or starch.

Dispenser II

Detergent for main wash, water softener, soaking agent, bleach or stain remover.

Dispenser ☼

Cleaning product, e.g. fabric softener or fabric conditioner (do not fill above the lower edge of the insert **1**).

- i** Concentrated or viscous fabric softener or fabric conditioner must be diluted with a little water before it is poured into the dispenser (prevents the overflow from becoming blocked).

- Pull out the detergent drawer all the way.
- Pour in detergent and/or cleaning product.
- Close the detergent drawer.

Programmes and functions

Programme

The programmes which can be selected on your washing machine are described below.

Cottons/coloureds

cold, 30, 40, 50, 60, 70 °C

on the display panel:

"Cottons/Clrds" or "Ct/Cl"

For hard-wearing textiles, e. g. made of cotton or linen.

Selectable additional options:

Prewash, Stains, Rinse Plus, Rinse stop, Easy-iron.

Maximum load: 6.0 kg

Note degree of soiling.

If required, select additional option.

i Coloureds programmes wash lightly soiled textiles in the shortest possible time. If textiles are heavily soiled, reduce load or select "Stains" additional option!

Maximum spin speed.

Cottons

80, 90 °C

on the display panel:

"Cottons/Clrds" or "Ct/Cl"

Energy-intensive programme for heat-resistant textiles, e.g. made of cotton or linen.

Selectable additional options:

Prewash, Stains, Rinse Plus, Rinse stop, Easy-iron.

Maximum load: 6.0 kg

Note degree of soiling.

If required, select additional option.

i Cottons programmes wash lightly soiled textiles in the shortest possible time. If textiles are heavily soiled, reduce load or select "Stains" additional option!

Maximum spin speed.

To protect the waste-water pipes, the hot water is mixed with cold water and cooled before being drained.

Easy-care

cold, 30, 40, 50, 60 °C

on the display panel:
"Easy-care"/ "Easy"

For easy-care textiles, e.g. made of cotton, linen, synthetic or blended fabrics.

Selectable additional options:

Prewash, Stains, Rinse Plus, Rinse stop, Easy-iron.

Maximum load: 3.0 kg

Note degree of soiling.

If required, select additional option.

Reduced spin speed.

 Also suitable as **short programme**.

Delicates

cold, 30, 40 °C

on the display panel: "Deli."

For delicate, washable textiles, e.g. made of satin, synthetic or blended fabrics.

Selectable additional options:

Prewash, Stains, Rinse Plus, Rinse stop, Easy-iron.

Maximum load: 2.0 kg

Note degree of soiling.

If required, select additional option.

Reduced spin speed.

We do not recommend washing these textiles together with other rougher textiles.

No spin between the rinse cycles.

Woollens

 cold, 30, 40 °C

on the display panel:
"Wool"

For hand and machine-washable wool and rich-wool textiles, e.g. cashmere, mohair or angora.

Selectable additional options:

Stains, Rinse Plus, Rinse stop, Easy-iron.

Maximum load: 2.0 kg

Note degree of soiling.

If required, select additional option.

Reduced spin speed.

Blouse/Shirt

cold, 30, 40, 50, 60 °C

on the display panel:
"Blouse/Shirt" or "Shirt"

For lightly soiled blouses and shirts.

Selectable additional options:

Stains, Rinse Plus, Rinse stop, Easy-iron.

Maximum load: 2.0 kg

Note degree of soiling.

If required, select additional option.

Gentler spin.

Outdoor wear

cold, 30, 40 °C

on the display panel:

"Outdoor wear" or "Micro"

For modern textiles made of micro-fibres or containing a high percentage of micro-fibres, e.g. GoreTex or SympaTex.

Selectable additional options:

Stains, Rinse Plus, Rinse stop, Easy-iron.

Maximum load: 2.0 kg

Note degree of soiling.

If required, select additional option.

Gentler spin.

Silk hand wash

 cold, 30 °C

on the display panel: **"Silk"**

For hand and machine-washable silk textiles.

Selectable additional options:

Stains, Rinse Plus, Rinse stop, Easy-iron.

Maximum load: 1.0 kg

Note degree of soiling.

If required, select additional option.

Gentler spin.

We do not recommend washing these textiles together with other rougher textiles.

No spin between the rinse cycles.

Mix

cold, 30, 40 °C

on the display panel: **"Mix"**

For easy-care textiles and laundry made of cotton – different types of laundry can be washed together.

Fluff-producing laundry was washed.

Short washing time.

Selectable additional options:

Stains, Rinse Plus, Rinse stop, Easy-iron.

Maximum load: 3.0 kg

Note degree of soiling.

If required, select additional option.

Reduced spin speed.

Coloureds eco

cold, 30, 40, 50, 60 °C

on the display panel:

"Coloureds eco" or "CoEco"

Water and energy-saving programme for normal to very soiled coloureds, e.g. made of cotton or linen.

Selectable additional options:

Prewash, Stains, Rinse Plus, Rinse stop, Easy-iron.

Maximum load: 6.0 kg

Note degree of soiling.

If required, select additional option.

Maximum spin speed.

Curtains

cold, 30, 40 °C

cold, 30, 40 °C

on the display panel: "Curtains" or "Curt."

For curtains and textiles made of blended fabrics.

Selectable additional options:

Prewash, Stains, Rinse Plus, Rinse stop, Easy-iron.

Maximum load: 3.0 kg

Note degree of soiling.

If required, select additional option.

Gentler spin.

Programme options

Rinse

on the display panel:

"Rinse"

Rinse cycle with subsequent spin cycle for rinsing hand-washed items or for starching.

Reduced spin speed.

Spin

on the display panel:

"Spin"

Spin cycle for spinning hand-washed items. Washing water or rinsing water is drained before the spin cycle.

Reduced spin speed.

Drain

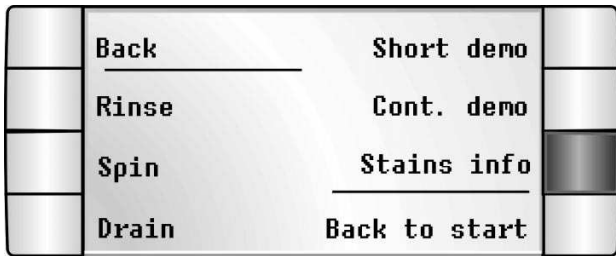
on the display panel:

"Drain"

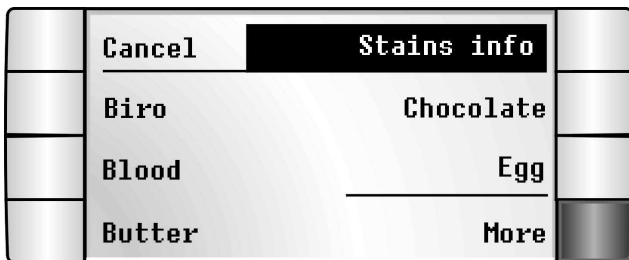
Drains the water in the drum.

Stains info

Information concerning stains.

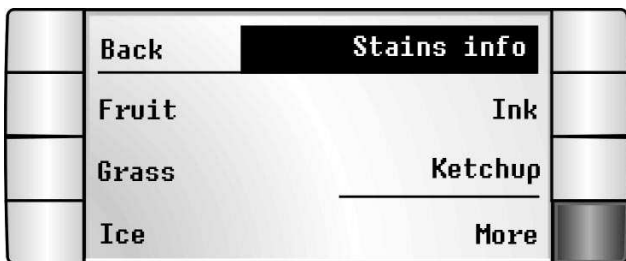


- Press the "Stains info" button.



- The stain types are indicated in the display field.

- Select stain type or press the "More" button.



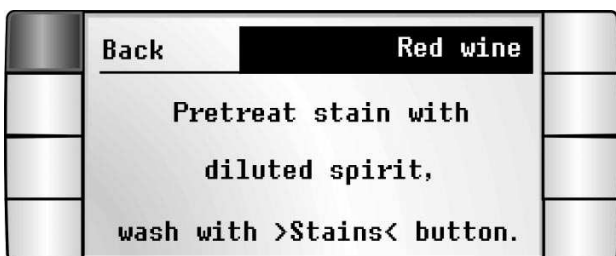
- More stain types are indicated in the display field.

- Select stain type or press the "More" button.



- More stain types are indicated in the display field.

- Select stain type, e.g. Red wine



- Information on treatment of stains is indicated in the display field.

- Press the "Back" button to select other stain types.

Additional options – Options

Prewash

on the display panel:

”Prewash” or 

Energy and water intensive additional options for very soiled laundry.

The ”Prewash” additional option can be selected for the ”Cottons/Clrds”, ”Easy-care”, ”Delicates”, ”Coloureds eco” and ”Curtains” programmes.

Stains

on the display panel:

”Stains” or 

Stubborn stains can also be removed by extending the washing time.

Recommended for heavily soiled, stained or large amount of laundry

The ”Stains” additional option can be selected for all programmes.

Rinse Plus

on the display panel:

”Rinse Plus” or 

Additional rinsing of laundry.

Washing time is extended accordingly.

Recommended in regions with very soft water.

The ”Rinse Plus” additional option can be selected for all programmes.

Rinse stop

on the display panel:

”Rinse stop” or 

Laundry remains in the final rinsing water. Before the laundry can be removed, the programme must be ended via ”Spin” or ”Drain”.

The ”Rinse stop” additional option can be selected for all programmes.

Easy-iron

on the display panel:

”Easy-iron” or 

Gentler spin cycle with subsequent fluffing. After the spin cycle, the laundry is loose in the drum – creasing is reduced.

Final spin speed:

800 G for the ”Cottons/Clrds” and ”Coloureds eco” programmes.

600 G for the ”Easy-care”, ”Delicates”, ”Wool” and ”Mix”.

Observe maximum load for each type of textile; remove the laundry as soon as the spin cycle ends.

The ”Easy-iron” additional option can be selected for all programmes.

Detection and control systems

Load sensor

When the door is open, the load sensor indicates the amount of loaded laundry as a %, depending on the selected programme. To ensure that the load sensor measures all the laundry, the drum must be empty before the washing machine is switched on.

We recommend that you stop loading the drum when the load sensor indicates 100%.

Dosing recommendation

The dosing recommendation indicates a recommended detergent dosage as a %, depending on the selected programme and the detected load. The indicated % refers to the recommendation of the detergent manufacturer. Note degree of soiling!

Aqua-Sensor

The Aqua sensor checks the degree of clarity of the rinsing water during the rinse cycle. The duration and the number of rinse cycles are determined by the clarity of the water.

Therefore, water and time can be reduced if lightly soiled laundry is washed with the corresponding detergent dosage.

Load adjust

Load adjust adjusts the water and power consumption to each programme – according to the amount of laundry and type of textiles.

Therefore, if small amounts of washing are washed, water and energy consumption is reduced.

The flow sensor, like an internal water meter, measures the supplied water flow rate and doses precisely as much water as is required by the amount of laundry.

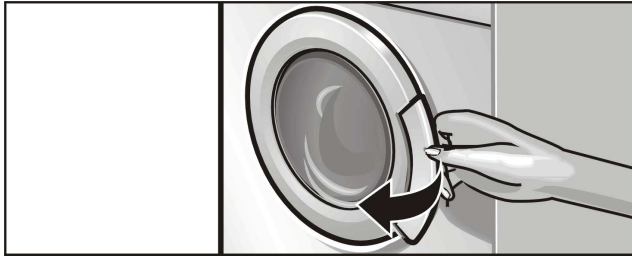
The stepless water level sensor ensures the correct water level required to wash your laundry in each programme.

Unbalanced load detection system

The automatic unbalanced load detection system spins the laundry several times to ensure even distribution.

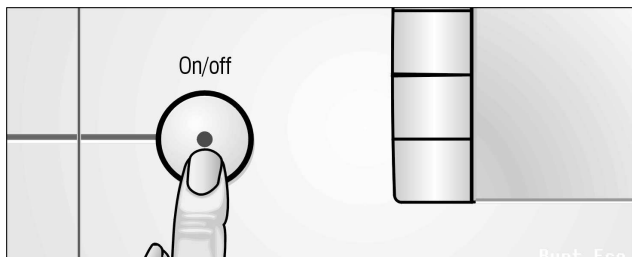
If the laundry is very unevenly distributed, the final speed is reduced or there is no spin cycle for reasons of safety.

Washing



❑ Open the washing machine door.

i Before switching on the washing machine, ensure that the drum is empty; otherwise the loading sensor will not detect all the laundry.



❑ Fully depress the "On/off" button. The first programme page is indicated in the display panel after the Bosch logo.

i You can leaf between the programme pages by pressing the "More" or "Back" button.

e.g. select the "Coloureds eco" programme:



❑ press the "More" button.



❑ Press the "Coloureds eco" button.



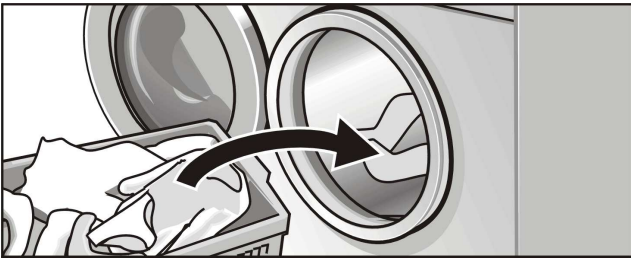
i The maximum possible load of the washing machine is indicated on the display panel, depending on the selected programme.

⚠ Risk of explosion!

Laundry items which have been pretreated with detergents containing solvents, e. g. stain remover or cleaner's solvent, must be rinsed out thoroughly by hand before they are placed in the washing machine, otherwise there is a risk of explosion. Before loading the laundry, rinse thoroughly by hand.

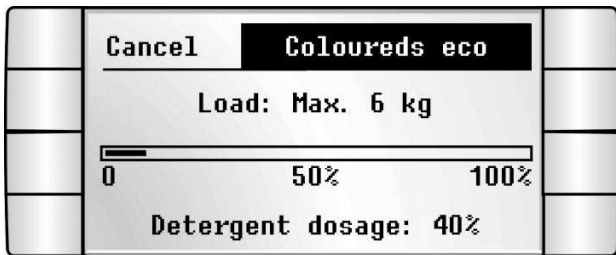
Warning

Foreign objects in the drum may damage the laundry. Before inserting the laundry, ensure that there are no foreign objects in the drum.



- Unfold presorted laundry items and place in the drum. Mix large **and** small items. Washing items of different size distribute themselves better during the spin cycle.

- i** Do not insert the washing until the first programme page is indicated after the Bosch logo.



- Do not exceed the maximum load (100 %).

Overfilling the washing machine reduces the washing result and causes creasing.

- Follow the recommended detergent dosage. By observing the recommended dosage, you will protect the environment and reduce your household costs.



- ❑ Close the washing machine door.
Do not wedge laundry items between the washing machine door and the rubber seal.
The "Start/Stop" indicator light flashes.

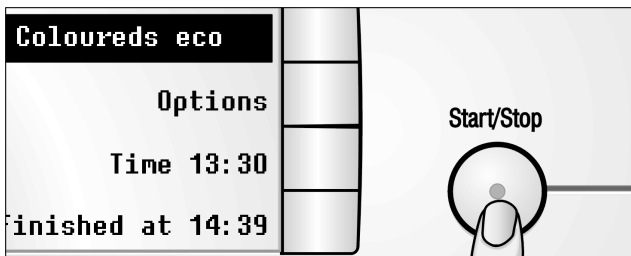


The description of the selected programme is indicated on the display panel, e.g. "Coloureds eco".

- ❑ If the clock has not been set, "Set clock" is displayed instead of the time; the end of the programme is not displayed.

- ❑ If required, change the programme settings.

- ❑ To save energy, the display panel light switches off 3 min. after the buttons were last pressed (energy saving mode). Press any button (except "On/off") to switch the light on again.



- ❑ Press the "Start/Stop" button.
The "Start/Stop" control light comes on.
The programme starts.

- ❑ The individual steps of the programme sequence are indicated on the display panel.

Changing the settings of the selected programme

You can adjust the washing temperature and the spin speed to suit your requirements, switch on additional options and preselect the end of the programme.

Any changes will not take effect until the next wash cycle.

i Programmes which you use frequently with changed settings can be saved under the "Memory1", "Memory2" and "Memory3" memory locations; see Page 39.

Overview at a glance

The procedure for changing the settings of a selected programme is summarised in the overview at a glance.

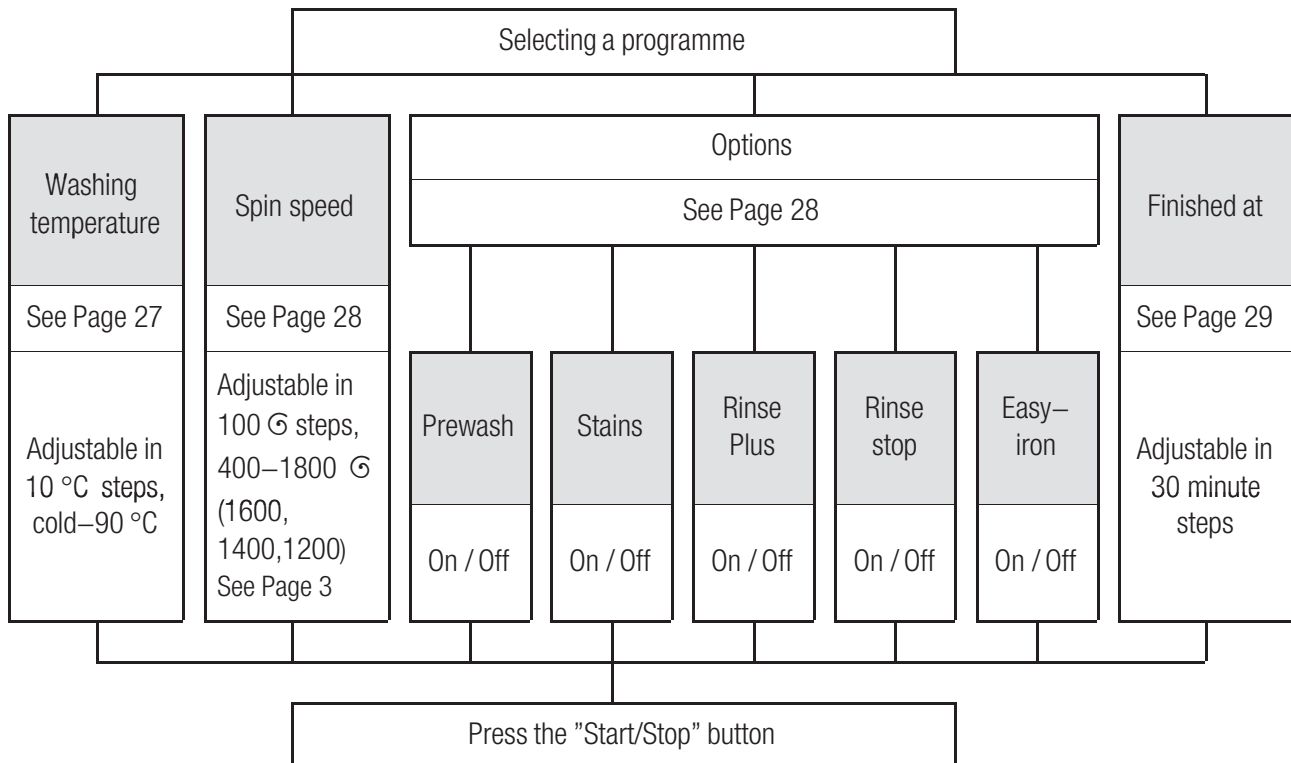
A detailed description of the procedure can be found after the overview at a glance.

Following each change you can

change another setting

or

start the programme with the "Start/Stop" button.



Overview



Washing temperature



You can select an overview of the settings which can be changed for a selected programme.

- Press and hold down the "Programme" button, e.g. "Coloureds eco".

- i** The settings which can be changed are indicated on the display panel until the "Coloureds eco" button is released.

You can change the displayed washing temperature.

The maximum selectable washing temperature depends on the selected programme.

- Press the button for washing temperature, e.g. "30 °C", until the desired washing temperature is indicated on the display panel.

- i** If the button for washing temperature is held down, the selectable washing temperatures are displayed quickly in succession.

Spin speed

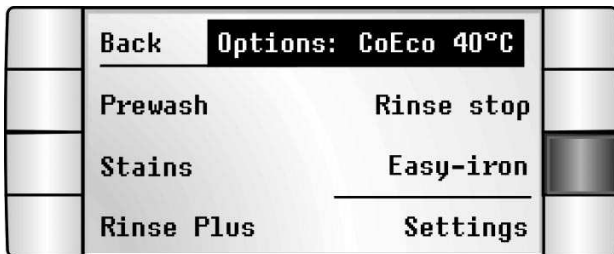


You can change the displayed spin speed.

The maximum displayed spin speed depends on the selected programme.

- Press the button for spin speed until the desired spin speed – e.g. "1000 G", is indicated on the display panel.
- If the button for spin speed is held down, the selectable spin speeds are displayed quickly in succession.

Options / Extras



You can switch on additional options depending on the selected programme. You can find selectable additional options in the programme descriptions; see from Page 16.

- Press the "Options" button.
- Press the button for the desired additional option(s), e.g. "Easy-iron".
- An additional option has been switched on when a hook is indicated on the display panel.
- The symbol for the selected additional option, e.g. "Easy-iron", is indicated in the programme description.



Specifying the end of the programme – “Delayed start”



- i** Press and hold down the “Options” button. An overview of the symbols for the individual additional options is then displayed.

Make sure that the time has been set – see Page 10.

Before a programme starts, you can specify the time when the programme is to end.

The end of the programme is selected in 30 minute steps.

- i** The start of the programme can be delayed by up to 24 hours.
- Press the “Finished at” button until the time is displayed when the programme is to end.
- i** The selected end of programme is automatically adjusted if the programme has to be extended due to a large load, large imbalance or additional rinsing.

When the “Start/Stop” button has been pressed, “Delayed start” is indicated on the display panel.

Changing standard settings

You can change the standard settings for signal, childproof lock and time whenever a programme has been selected. Any changes are saved until another change is made.

Following each change you can

- change another standard setting or
- return to the programme page by pressing the "Back" or "Cancel" buttons.

Time

You can set the current time.



- Press the "Time" button.
- Set the time as described under "Setting the time"; see from Page 10.

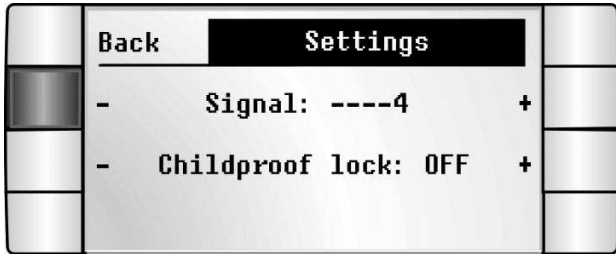
Signal

The acoustic signal signals the start and end of the programme, operating faults and malfunctions.

You can specify the volume of the acoustic signal or switch off the acoustic signal.



- Press the "Options" button.



Press the "Settings" button.

Adjust the volume of the signal by pressing the "- Signal" or "Signal +" button, e.g. "- signal".

i The "- Signal" button reduces the volume of the signal or switches the signal off ("Signal: 0----"), the "Signal +" button switches the signal on or increases the volume (maximum volume: "Signal: ---4").

Press the "Back" button.

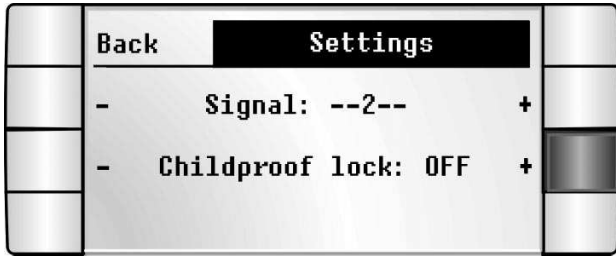
Childproof lock / Appliance lock

You can safeguard your washing machine to prevent any unintentional changes to the selected functions and to the programme sequence.

An active childproof lock / appliance lock has the following effects:

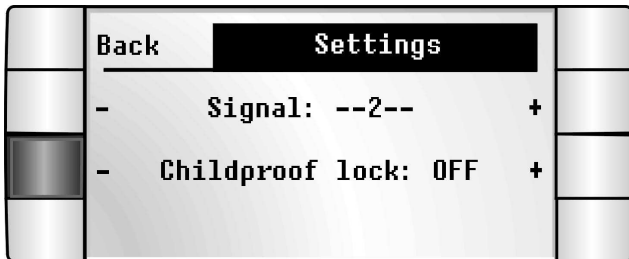
- If the appliance is switched off and then on again, a running programme continues at the point at which it was interrupted.
- The washing machine door remains locked when the wash cycle is complete.
- When the appliance has been switched on and the washing machine door closed, all operating elements are disabled and the washing machine door is locked.

Activate the childproof lock / appliance lock



Temporarily deactivate childproof lock / appliance lock

Permanently deactivate childproof lock / appliance lock (no programme active)



Permanently deactivate childproof lock / appliance lock (programme active)

- Press the "Options" button.
- Press the "Settings" button.
- Activate the childproof lock / appliance lock by pressing the "Childproof lock +" button.
- When the childproof lock / appliance lock has been activated, the "☒" symbol is indicated on the display panel after the programme has started.
- Press and hold down the "Start/Stop" button (4 seconds) until the "Start/Stop" control light flashes.
- When "Pause" is displayed, the childproof lock / appliance lock is temporarily deactivated.
- Childproof lock / appliance lock is re-activated by pressing the "Start/Stop" button again.
- Press the "Start/Stop" button for approx. 4 seconds.
- Select any programme. The "Start/Stop" indicator light flashes.
- Press the "Options" button.
- Press the "Settings" button.
- Press the "- Childproof lock" button. The childproof lock / appliance lock is permanently deactivated.
- If the childproof lock / appliance lock is permanently deactivated, the "☒" symbol on the display panel goes out.
- Press the "Back" button.
- Press and hold down the "Start/Stop" button (4 seconds) until the "Start/Stop" control light flashes.
- Press the "Change" button.
- Press the "Options" button or the button with the "Options" symbol(s).
- Press the "Settings" button.
- Press the "- Childproof lock" button. The childproof lock / appliance lock is permanently deactivated.

Resetting standard settings

You can reset standard settings which have been changed (exception: time). There are two options available for resetting standard settings.

i Settings cannot be reset while a programme is running.

Option 1



Changes to the **childproof lock** and **signal** are cleared, the childproof lock is deactivated and the memory locations are deleted.

For approx. 4 seconds simultaneously press the upper and lower buttons on the right side of the display panel.

New status:

Memory1, 2, 3:	Empty
Childproof lock:	OFF
Signal:	4

Return to the programme page.

Option 2



Changes to the **childproof lock** and **signal** are cleared, the childproof lock is deactivated and the memory locations are deleted. The **language** of the text on the display panel must be reselected.

For approx. 4 seconds simultaneously press the upper and lower buttons on the left side of the display panel.

New status:

Memory1, 2, 3:	Empty
Childproof lock:	OFF
Signal:	4

Return to the language selection.

Changing the programme sequence

Changing selected settings

While the selected programme is running, the spin speed can be changed and additional options (exception: "Prewash") can be switched on or off.



Press the "Change" button.



Press the "Spin speed" button until the desired spin speed is displayed.

or



Press the "Options" button and switch additional options on or off.

If "Childproof lock: ON" preselected

- Press the "Start/Stop" button for approx. 4 seconds. The "Start/Stop" indicator light flashes.
- Make changes as described.

When the required changes have been made:

- Press the "Start/Stop" button. The "Start/Stop" control light comes on. The programme starts.
- i** When the programme restarts, the childproof lock / appliance lock is reactivated.

Topping up or removing washing

Additional laundry can be placed in the drum during the wash cycle or taken out of the drum before the end of the wash cycle.

- Press the "Start/Stop" button. The "Start/Stop" indicator light flashes.
- i** If "Pause" "Top-up not possible" are indicated in succession on the display panel, the washing machine door cannot be opened for reasons of safety.

If "Top-up possible" is indicated on the display panel:

- Open the washing machine door.
- Insert/remove washing.
- Close the washing machine door.
- Press the "Start/Stop" button. The "Start/Stop" control light comes on. The programme starts.

If "Childproof lock: ON" preselected

- Press the "Start/Stop" button for approx. 4 seconds. The "Start/Stop" indicator light flashes.
- Top up the washing as described.
- i** When the programme restarts, the childproof lock is reactivated.

Cancelling active programme

A programme which has been selected and started can be ended prematurely.

- Lightly press the "On/off" button, a running programme or a selected setting is cancelled.

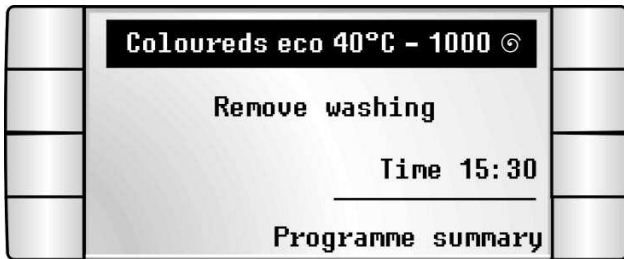
If required:

- Select the "Drain" or "Spin" programme.
- Press the "Start/Stop" button. The "Start/Stop" control light comes on. The programme starts.
- i** If the "On/off" button is fully depressed, the running programme is cancelled and the washing machine switches off. In this case fully depress the "On/off" button again. The washing machine is switched on again.

If "Childproof lock: ON" preselected

- Press the "Start/Stop" button for approx. 4 seconds. The "Start/Stop" indicator light flashes.
- Press the "Change" button.
- Deactivate the childproof lock/appliance lock permanently, see Page 32.
- Cancel the programme as described.

After washing



The "Start/Stop" indicator light goes out. "Remove washing" is indicated on the display panel.

Programme summary



You can display a programme summary of the last wash cycle:

- i** Before opening the door, select the wash report!
- Press the "Programme summary" button.

The programme summary contains the following information:

- Selected programme, washing temperature and selected additional options.
- Programme duration.
- Rinse sensor (not for "Rinse", "Spin" and "Drain" programmes).
- Detergent dosage (only for detergent overdosage)
- Imbalance (if occurred)

- i** Leaf through the pages of the programme summary by pressing the "More" and "Back" buttons.

Removing the washing

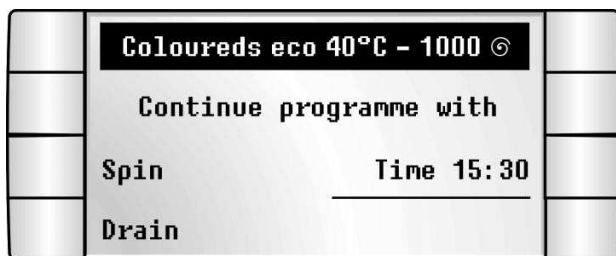
- Open the washing machine door.
- Press the "On/off" button.
The "On/off" indicator light goes out.
- i** Always switch off the washing machine, otherwise the load sensor will not detect the amount of laundry in the next wash programme.
- Remove the washing.

Warning

Remove any foreign objects (e.g. coins, paper clips) from the drum and rubber seal – **risk of corrosion!**

- i** Leave the washing machine door open to allow the interior of the washing machine to dry.

"Rinse stop" preselected?



Display panel: "Continue programme with Spin Drain"

or



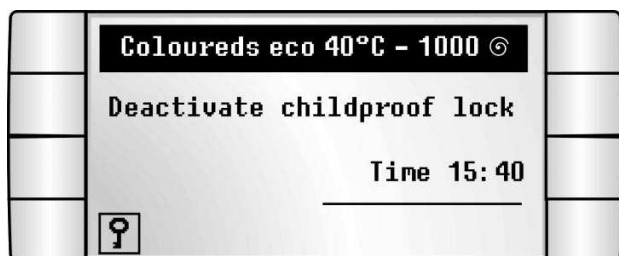
- Press the "Spin" button.
- If required, change settings, e.g. press the "Easy-iron" button.
- Press the "Start/Stop" button.
The "Start/Stop" control light comes on.
The programme starts.

Press the "Drain" button.

- Press the "Start/Stop" button.
The "Start/Stop" control light comes on.
The programme starts.

When the "Spin" or "Drain" programme has ended, "Remove washing" is indicated on the display panel; proceed further as described.

"Childproof lock: ON" pre-selected?

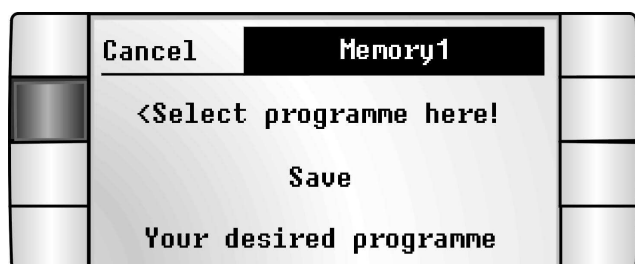


The "Start/Stop" indicator light goes out.
Display panel: "Deactivate childproof lock".

- Press the "Start/Stop" button for approx. 4 seconds.
"Remove washing" is indicated on the display panel.
- Open the washing machine door.
The "Start/Stop" indicator light goes out.
- Press the "On/off" button.
The "On/off" indicator light goes out.
- Remove the washing.

Saving your favourite programmes

Programmes which you use frequently with changed settings can be saved under the "Memory1", "Memory2" and "Memory3" memory locations. Your saved favourite programme can then be selected by pressing the respective button.



i Washing temperature, spin speed and additional options are saved. The end of the programme is not saved.

Select memory location, e.g. press the "Memory1" button.

Press the "Select programme here" button until the desired programme is indicated on the display panel.

i If the programme selection button is held down, the available programmes are displayed quickly in succession.

When the desired programme is displayed:

Change the settings of the programme, see from Page 26.

Press the "Save Memory ...?" button.

i The programme is saved and named under the selected memory location.

i Memory locations which are already occupied can be overwritten in the same manner.

Demo programmes

The demo programmes, intended for presentation purposes, show you the selection and the sequence of the "Cottons/Clrds" programme with changed settings.

There are two demo programmes available:

Short demo

The short demo is started by pressing the "Start/Stop" button and is stopped after each indicated wash cycle.

- ❑ Press the "Short demo" button.

- ❑ Press the "Start/Stop" button. The short demo begins.
- ❑ **i** When a cycle ends, the short demo can be started by pressing the "Start/Stop" button.

Continuous demo

The continuous demo is started automatically by pressing the appropriate button.

- ❑ Press the "Cont. demo" button, the continuous demo begins.
- ❑ **i** Return to the programme pages by switching the appliance off and on.

Emergency lock release

When the emergency lock release has been actuated, the washing machine door can be opened and the washing taken out of the drum.

⚠ Risk of scalding!

Switching off the appliance.

A programme which is running is cancelled.

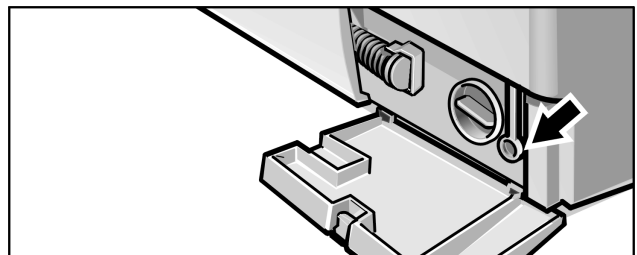
Allow the hot water to cool down.

Wait until the drum has come to a standstill.

Warning

The washing machine door can be released at any time, even if the washing machine is full of water.

- ❑ **i** Never open the washing machine door as long as water can be seen through the glass.
- ❑ Drain the water, see Page 43.



- ❑ Pull the emergency lock release, the washing machine door can be opened.

Special applications

Soaking

- Insert washing of the same colour.
- Pour soaking agent into dispenser II according to the manufacturer's instructions.
- Select the "Cottons/Clrds 30 °C" programme.
The "Start/Stop" indicator light flashes.
- Press the "Start/Stop" button.
The programme starts.
The "Start/Stop" control light lights up.
- After approx. 10 minutes press the "On/off" button.
The washing is now in the water.
- After the required soaking time select and start a programme.
- i** No additional detergent required, the soaking solution is used for washing.

Starching

The washing should not be treated with fabric softener.

- Insert the washing.
- Dose a quantity of starch for approx. 15 litres of water.
Dissolve starch according to the manufacturer's instructions.
- Select the "Rinse" programme.
- Set the spin speed ("Rinse stop" is also possible).
- Press the "Start/Stop" button.

As soon as the water runs in:

- Pull out the detergent drawer a little and
- Pour starch solution into dispenser I.
- Close the detergent drawer.

If "Rinse stop" was selected, select the "Drain" programme.

Dyeing

Use only dyes which are environmentally friendly and are suitable for use in washing machines.

Warning

Washing in subsequent wash cycles may become discoloured.

- Apply dyes according to the manufacturer's instructions.

After dyeing:

- Pour approx. ½ measuring beaker of detergent into dispenser II.
- Run the "Cottons/Clrds 90 °C" programme without any washing in the drum.
- Wipe out the rubber seal.

Bleaching

Warning

Bleaches may contain sulphur or chlorine which can corrode components of the washing machine. Do not bleach washing in the washing machine.

Cleaning and Care

⚠ Risk of electric shock!

First, always disconnect the appliance from the power supply.

Never clean the washing machine with a water jet.

⚠ Risk of explosion!

Never clean the appliance with solvents.

Warning

Use only mild detergents to clean the washing machine (housing, fascia and hoses).

Housing and control panel

If required:

- Use a mild, non-abrasive detergent. Wipe dry with a soft cloth.

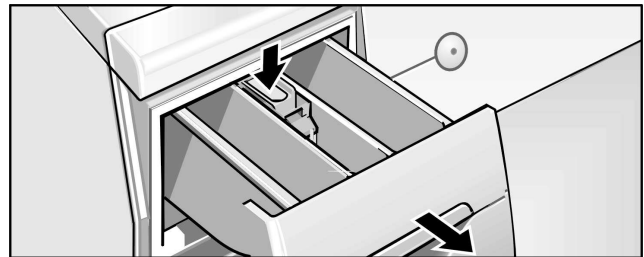
Drum

If metal items (e. g. coins, paper clips, needles, nails) left in the drum have caused rust spots:

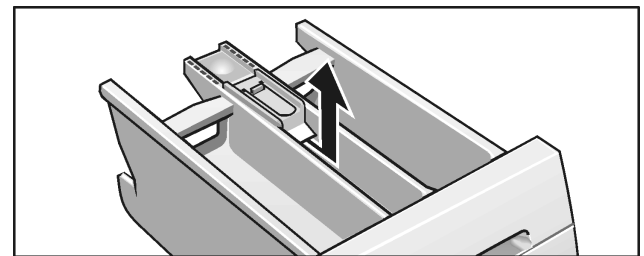
- Use chlorine-free cleaning agents; comply with the manufacturer's instructions. Never use steel wool.

Detergent drawer

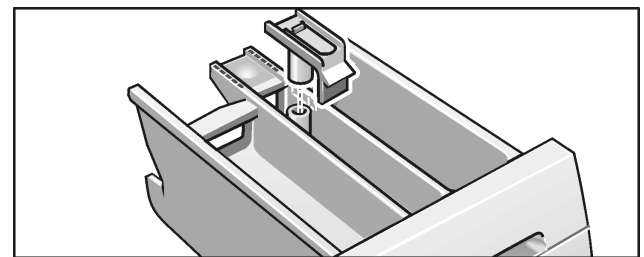
If there are detergent or cleaning product residues in the detergent drawer:



- Pull out the detergent drawer all the way,
- Press down the insert and
- remove the detergent drawer.
- Clean the inside of the detergent drawer housing.



- Lift out the insert.
- Clean the detergent drawer and insert under running water and dry.



- Attach the insert and lock into position.
- Slide in the detergent drawer.

Drain pump

Foreign objects or fluff may block the pump. If the water has not completely drained:

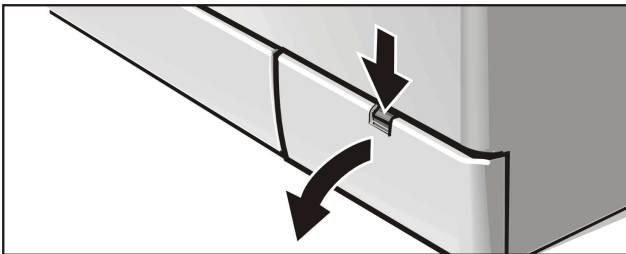
- ❑ Drain the water (provide a suitable receptacle for up to 20 litres).

⚠ Risk of scalding!

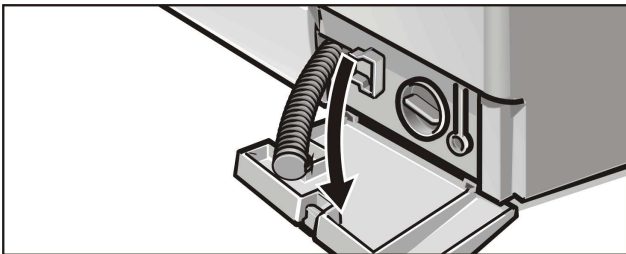
Allow the hot water to cool down beforehand.

Keep children and pets away from the washing machine.

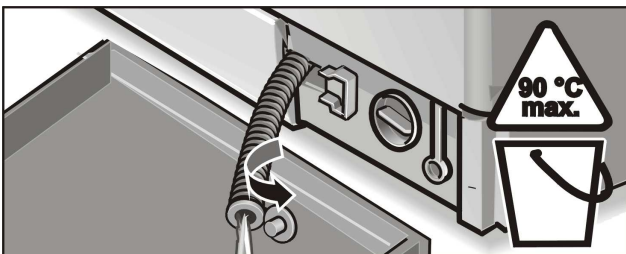
- ❑ Switching off the appliance.



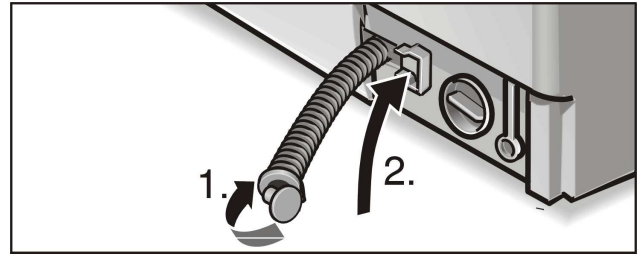
- ❑ Open the service flap.



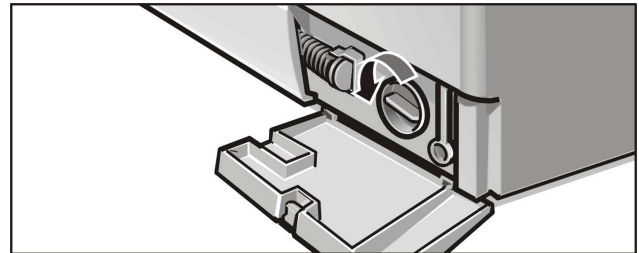
- ❑ Take the drainage hose out of the holder and pull out of the housing.
- ❑ Remove the service flap.



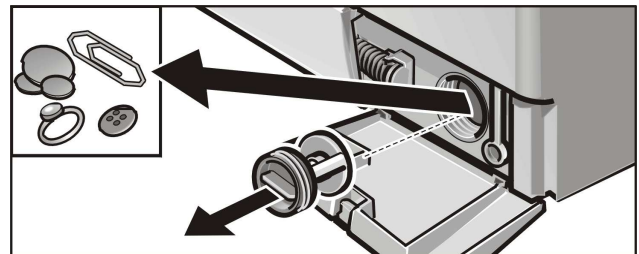
- ❑ Remove the sealing cap and allow the water to flow into the receptacle.



- ❑ Press on the sealing cap (1.) and insert the drainage hose into the holder (2.).



- ❑ Carefully unscrew the pump cover. A little more residual water will flow out.



- ❑ Remove foreign objects/fluff from inside and clean the interior. The pump impeller wheel must be able to rotate. Remove detergent residue and fluff from the pump cover thread and pump housing.

- ❑ Insert the pump cover and screw tight.
- ❑ Insert and close the service flap.

To prevent unused detergent from flowing into the drain during the next wash cycle:

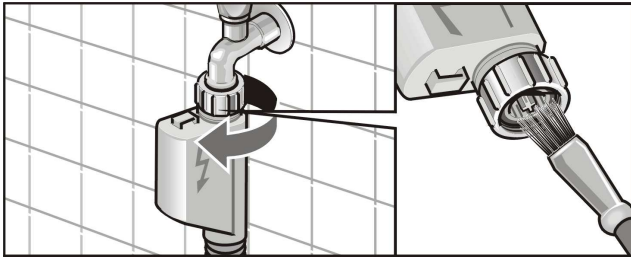
- ❑ Pour 1 litre / 1 ¾ pt of water into chamber II.
- ❑ Select the "Drain" programme.

Filter in the water inlet hose

If no water or insufficient water is running into the washing machine:

First, reduce the water pressure in the inlet hose:

- Turn off the tap.
- Select any programme (except "Spin" / "Drain").
- Press the "Start/Stop" button and wait for the "Tap closed?" message.
- Switching off the appliance.



- Remove the hose from the tap.
- Clean the filter with a small brush or paint brush.
- Connect the hose.
- Turn the tap on.
- Check whether water is leaking out of the end of the hose connected to the tap.
If water is leaking, check that the filter is correctly seated.

Descaling the washing machine

Warning

Descaling agents contain acids which may corrode the components of the washing machine and discolour the washing.

Provided the detergent dosage is correct, you should not need to descale the washing machine.

If descaling is nevertheless required, please follow the instructions supplied by the manufacturer of the descaling agent.

What to do if...

⚠ Risk of electric shock!

Repairs may be carried out by customer service or authorised technicians only.

If a repair is necessary or if you are unable to eliminate a fault yourself with the aid of the following table, proceed as follows:

- Switching off the appliance.
- Disconnect the washing machine from the power supply.
- Turn off the tap.
- Call customer service, see Page 51.

Fault	Possible cause	Remedial action
Washing machine door cannot be opened.	"Rinse stop" was selected.	Select and start the "Drain" or "Spin" programme.
	Childproof lock / appliance lock activated.	Press the "Start/Stop" button for 4 seconds.
	Power failure.	Programme continues running when the power has been restored. If the washing is to be removed during the power failure, proceed as described under "Emergency lock release", see Page 40.
	Programme is running and/or washing machine door is locked for safety reasons.	Wait until programme ends.
Washing machine door cannot be opened even though the appliance has been switched off and on again.	Plug is loose or not plugged in.	Eliminate cause.
	Childproof lock / appliance lock is active.	Press the "Start/Stop" button for 4 seconds.
	The washing machine door is locked for safety reasons because the water level, the temperature or the speed is too high.	Proceed as described under "Cancelling the programme", see Page 35. If the washing was washed at high temperatures, start the "Rinse" additional programme.

Fault	Possible cause	Remedial action
Load is not displayed.	Washing was already in the drum before the appliance was switched on.	Switch off the appliance, take the washing out of the drum and switch on the appliance again. Insert washing again.
Programme continues running even though the appliance has been switched off and on again.	Childproof lock / appliance lock is active.	Press the "Start/Stop" button for 4 seconds.
Appliance cannot be operated. "F" is indicated on the display panel.	Childproof lock / appliance lock is active.	Press the "Start/Stop" button for 4 seconds.
Control lights do not come on. Display panel is blank.	The mains fuse has tripped.	Switch on/replace the fuse. If the fault occurs repeatedly, call Customer Service.
	Power failure.	Programme continues running when the power has been restored. If the washing is to be removed during the power failure, proceed as described under "Emergency lock release", see Page 40.
Display panel is blank.	Energy saving mode active.	Press any button (except "On/off").
Programme does not start. The "Start/Stop" indicator light flashes.	"Start/Stop" button not pressed.	Press the "Start/Stop" button.
Programme does not start. "Delayed start" is indicated on the display panel.	End time selected and activated.	None. Appliance starts automatically.
Time cannot be set.	Programme has already started; when the programme has started, the time cannot be set.	Wait until programme ends.

Fault	Possible cause	Remedial action
End time cannot be selected.	Time not set.	Set the time, see Page 10.
	Programme has already started; when the programme has started, an end time cannot be set.	Always set an end time before the programme starts.
Prewash cannot be selected.	Programme has already started; when the programme has started, a prewash cannot be selected.	Always select Prewash before the programme starts.
	A programme was selected which does not permit Prewash.	
Spin speed cannot be selected.	Spin cycle is already running; the speed cannot be changed during the spin cycle.	Always select speed before the spin cycle starts.
	"Drain" additional programme selected; this programme does not include a spin cycle.	
Maximum spin speed cannot be set.	"Easy-iron" additional option selected. Not a fault.	If required, cancel the "Easy-iron" additional option.
Detergent residue in the detergent drawer.	Damp or lumpy detergent.	Clean and dry the detergent drawer, see Page 42.
		Use the dosing aid for liquid detergent.
Water not visible in the drum.	Not a fault. When certain programmes run, the water is below the visible area.	
Water runs out from under the appliance.	Screw fitting of the inlet hose is leaking.	Tighten the screw-fitting.
	Drainage hose is leaking.	Have Customer Service replace the drainage hose.
Foam comes out of the detergent drawer.	Too much detergent.	Mix a tablespoon of fabric softener with ½ litre (1 pt) of water and pour into dispenser II of the detergent drawer.
		Reduce the detergent dosage for the next wash cycle.

Fault	Possible cause	Remedial action
Spin cycle actuated several times.	Not a fault. Unbalanced load detection system is attempting to compensate the imbalance by spinning the washing several times.	Always wash large and small items together.
The washing has not been spun correctly.	Large laundry items have become entangled and are not evenly distributed in the drum. For safety reasons the high-speed spin cycle was automatically reduced.	Always wash large and small items together.
Programme duration extended.	Not a fault. Aqua sensor has extended the rinse cycle.	
	Not a fault. Foam detection system has actuated an additional rinse cycle in order to dissipate the foam.	Adjust the detergent dosage for the next wash cycle.
	Not a fault. Unbalanced load detection system is attempting to compensate the imbalance by spinning the washing several times.	Always wash large and small items together.
Washing result not satisfactory.	Soiling is greater than expected.	Select a suitable programme or "Stains" or "Prewash" additional option.
	Detergent was underdosed.	Dose detergent according to the manufacturer's instructions.
Detergent residue on the washing.	Some phosphate-free detergents contain water-insoluble residue which may appear as light stains on the washing.	Select "Rinse" immediately or brush the washing after the drying cycle.
Grey residue on the washing.	Soiling caused by ointment, grease or oil.	Select maximum detergent dosage and maximum permitted temperature for the next wash cycle.
Unexpected programme termination.	"On/off" button inadvertently pressed.	Restart programme.

Fault displays

Text on display panel	Possible cause	Remedial action
"Tap closed?"	Tap not turned on.	Turn the tap on. Programme will continue automatically.
	Inlet hose kinked or pinched.	Eliminate cause.
	Filter blocked in water inlet hose.	Clean filter, see Page 44.
	Water pressure too low.	Eliminate cause.
"Tap closed?" even though a lot of water has run in.	Safety function has detected an appliance defect.	Do not open the appliance door as water may run out! Repeatedly select "Drain" programme until the water level is low enough to remove the laundry. Call Customer Service.
"Pump blocked?"	Pumped blocked by foreign objects.	Clean pump, see Page 43.
	Drainage pipe and/or drainage hose blocked.	Clean drainage pipe and/or drainage hose.
"Door open?"	Door not closed properly.	Check whether an item of laundry is jammed; close the door.
Aqua-Stop actuated	Water in the base pan; appliance leaking.	Call Customer Service.

If the fault cannot be rectified with the aid of the above tables:

- Switch off the appliance.
- Wait 5 seconds.
- Switch on the appliance.
- Select and start a programme.
- If the fault recurs, call Customer Service, see Page 51.

Consumption values

Programme	Additional option	Load up to	Consumption values **		
			Power	Water	Duration
Coloureds eco 40 °C *	Stains	6.0 kg	0.60 kWh	43 l	2:00h
Coloureds eco 60 °C *	Stains	6.0 kg	1.02 kWh	43 l	2:00h
Cottons/Clrds 40 °C	Stains	6.0 kg	0.65 kWh	58 l	2:10h
Cottons/Clrds 60 °C	–	6.0 kg	0.95 kWh	58 l	1:17h
Cottons/Clrds 90 °C (hot water is mixed with cold water before being drained)	Stains	6.0 kg	2.10 kWh	65 l	2:10h
Easy-care 40 °C *	Stains	3.0 kg	0.50 kWh	50 l	1:18h
Mix 30 °C	Stains	3.0 kg	0.40 kWh	38 l	0:35h
Delicates 30 °C	–	2.0 kg	0.30 kWh	42 l	0:35h
Wool 30 °C *	Stains	2.0 kg	0.20 kWh	35 l	0:50h

* Programme setting with "Stains" additional option for conducting test in compliance with EN 60 456 and IEC 60 456

** Consumption values will differ from the indicated values depending on the water pressure, water hardness, water inlet temperature, ambient temperature, type and quantity of washing and degree of soiling, utilised detergent, fluctuations in the mains voltage and selected additional options.

The Aqua sensor affects the water volumes and rinse times. As a result, consumption values may vary depending on the load.

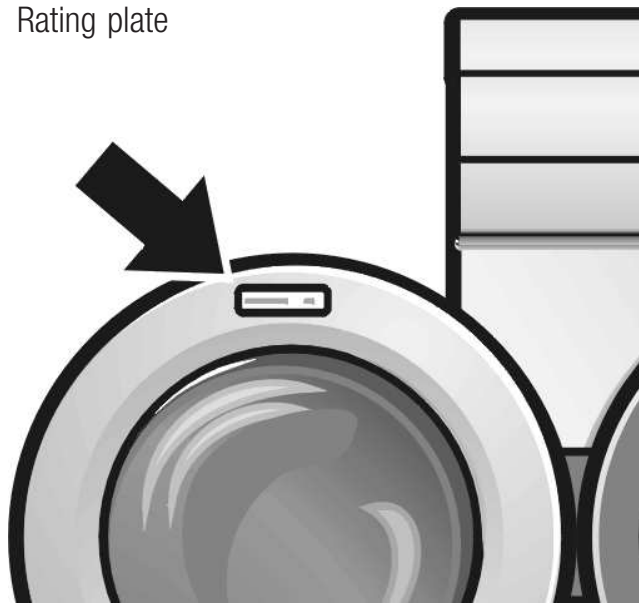
Customer service

Before you call customer service, please check whether you can eliminate the fault yourself (see from Page 45).

A technician who is called out to give advice will charge you, even if the appliance is still under guarantee.

You can find your nearest customer service in the enclosed address list. Please provide customer service with the product number (E-Nr.) and the production number (FD) of the appliance.

Rating plate



You can find these numbers on the rating plate in the frame on the inside of the door and in the box marked in bold outline on the identification plate at the rear of the appliance.

E-Nr. _____	FD _____
-------------	----------

Product number **Production number**

Please write the numbers of your appliance here.

In specifying the product number and production number of your appliance, you help us in our attempt to prevent unnecessary travelling and the associated extra costs.

Installing, connecting and transporting the appliance

Safety instructions

⚠ Risk of injury!

The washing machine is very heavy. Take care when lifting it.

Warning

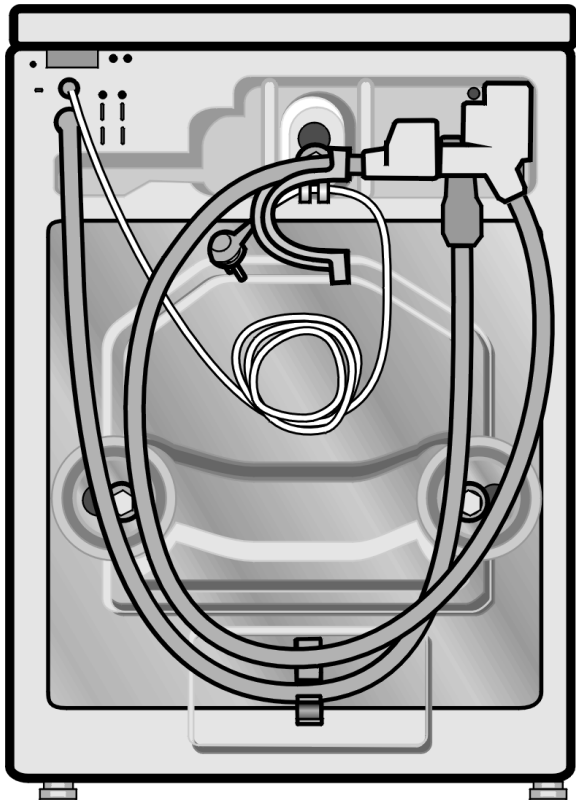
Frozen hoses may tear/burst. Do not install the washing machine in an area where there is a risk of frost or outdoors.

The washing machine may be damaged. Do not lift the washing machine by its projecting parts (e. g. door).

In addition to the safety information listed here, the local water and electricity supplier may have special requirements.

If in doubt, have the appliance connected by a specialist.

Standard accessories



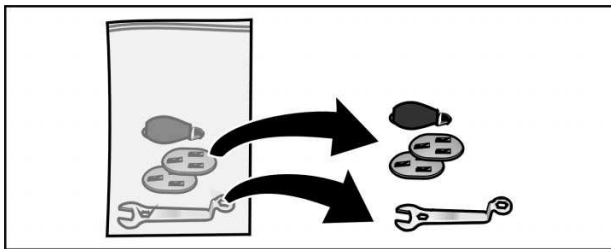
On the rear of the washing machine:

- Water drainage hose,
- Water inlet hose,
- Elbow for attaching the drainage hose e.g. to the sink,
- Mains cable with plug.

Moisture in the drum is due to the final inspection which every washing machine undergoes before it leaves the factory.

Depending on the connection situation, the following part is also required:

- 1 Ø 24–40 mm hose clip (specialist outlet) for connection to a siphon.



The bag contains:

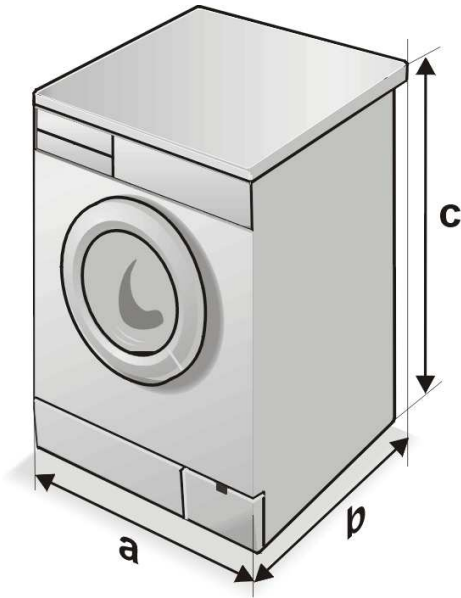
- Covers for placing over the openings when the transportation bolts have been removed.
- Spanner.

Useful tools

The following tools are helpful:

- Box wrench A/F 13 for removing the transportation bolts,
- Spirit level for aligning the washing machine.

Dimensions



a = width:	600 mm
b = depth:	590 mm
c = height:	852 mm
Weight:	ca. 69 kg

Installation surface

Stability is important to prevent the washing machine from "wandering" during the spin cycle.

The installation surface must be solid and level. Soft floor coverings, e. g. carpets or floor coverings with a foam backing are not suitable.

If the washing machine is to be installed on a wooden floor:

- If possible, install the washing machine in a corner.
- Screw a water-resistant wooden board (min. 30 mm thick) to the floor.
- Secure the washing machine feet with fixing brackets*.

If the washing machine is to be installed on a base:

- Secure the washing machine feet with fixing brackets*.

* Holding brackets (set) can be obtained from a specialist store or the Customer Service, order no. WX 9756.

Transportation protection devices

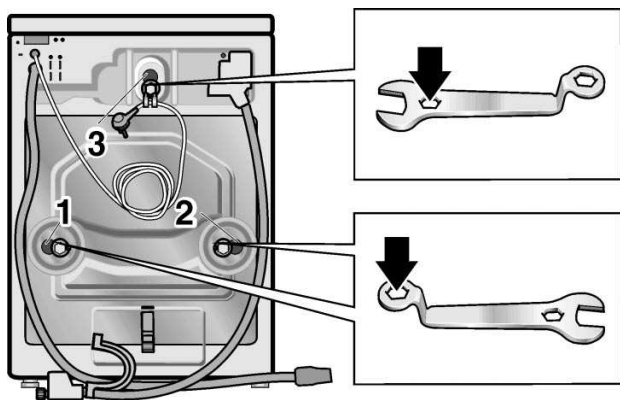
⚠ Warning

Before using the washing machine for the first time, completely remove the transportation protection devices.

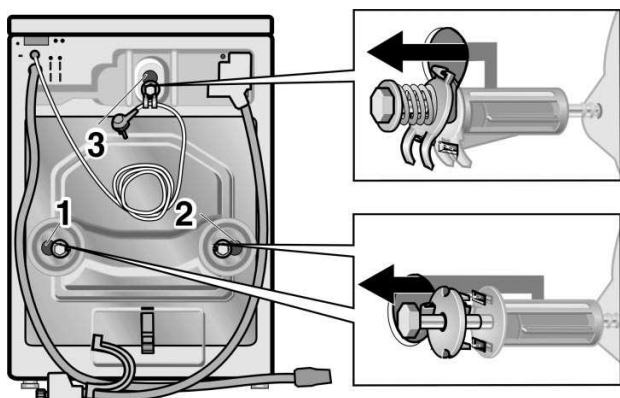
Before removing the transportation protection devices

- ❑ Take the hoses out of the holders.
- ❑ Detach the elbow.

Removing the transportation protection devices

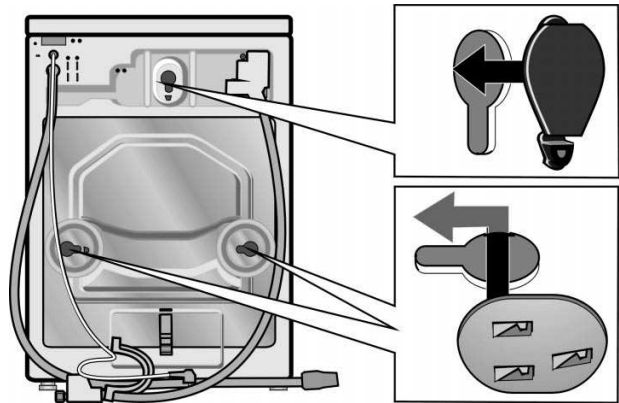


- ❑ Loosen bolts **1**, **2** and **3** with the spanner A/F 13 until they are freely movable in the bushes.



- ❑ Remove complete transportation protection devices **1** and **2** (bolt with washer and bush).

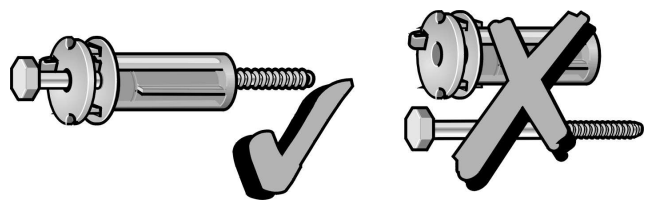
- ❑ Remove complete transportation protection device **3** (bolt with spring, washer and bush), holding the open washing machine door with one hand and pulling the drum slightly forwards.



- ❑ Insert the covers.

Storing the transportation protection devices

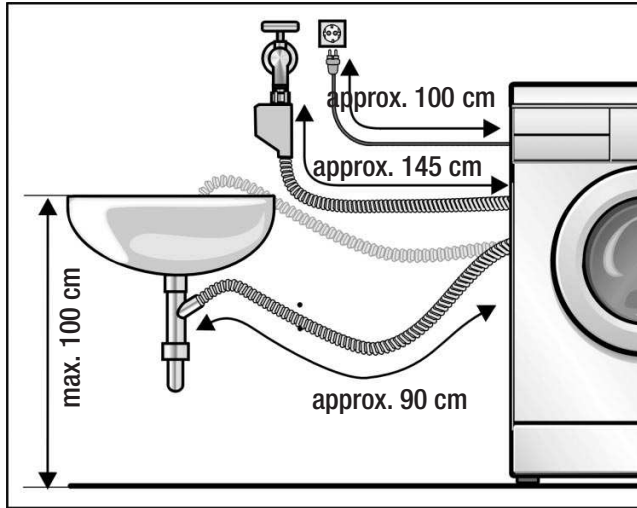
Always store the transportation protection devices for subsequent transportation of the washing machine (e.g. when moving house).



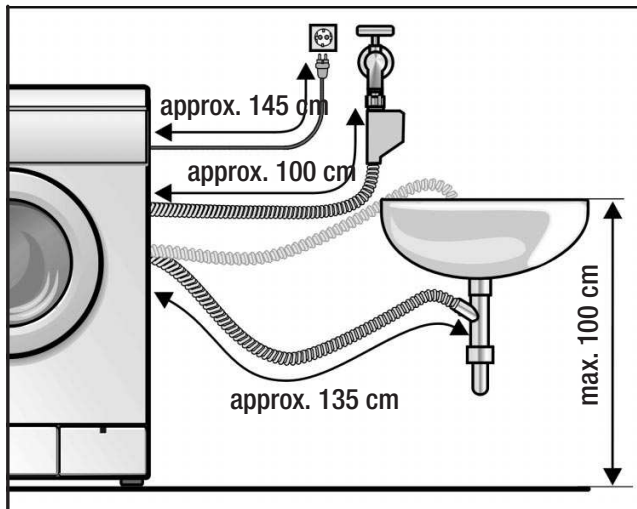
- ❑ Store transportation protection devices **1** and **2** completely assembled (bolt, washer and bush).

Hose and-cable lengths

Connection on left side



Connection on right side



Aqua Stop extension hose

Available from specialist outlets as a kit:

- Connecting kit- plastic hose (approx. 2.5 m), order-no. WZ 10130.

Connecting the water

⚠ Risk of electric shock!

Do not immerse the Aqua Stop safety device in water (contains an electrically operated valve).

To prevent leaks or water damage, it is essential to follow the instructions in this chapter!

Water inlet hose

Warning

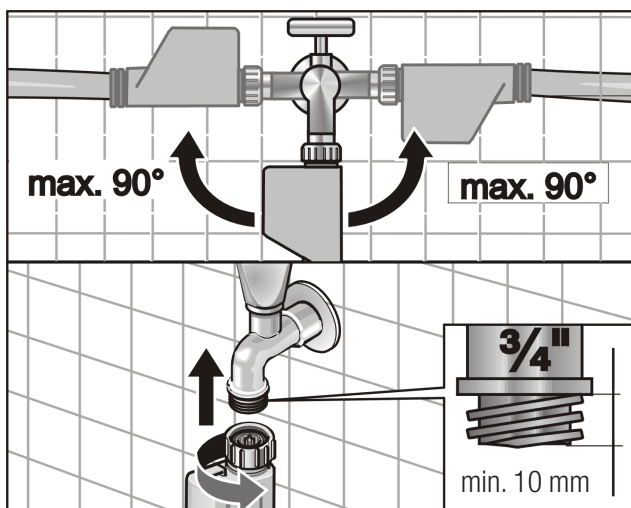
Operate the washing machine with cold drinking water only. Do not connect to the mixer tap of an unpressurised hot-water apparatus. If in doubt, have the appliance connected by a specialist.

The water inlet hose must not be

- kinked or crushed,
- modified or severed (strength is no longer guaranteed).

Check the mains water pressure:

- The water pressure should be between 1 and 10 bars (when the tap is turned on, at least 8 litres of water is discharged per minute).
- If the water pressure is higher, install a pressure reducing valve.



- Connect the water inlet hose to the tap.

After connecting the water inlet hose:

- Turn on the tap fully.
- Check the connection points for leaks.

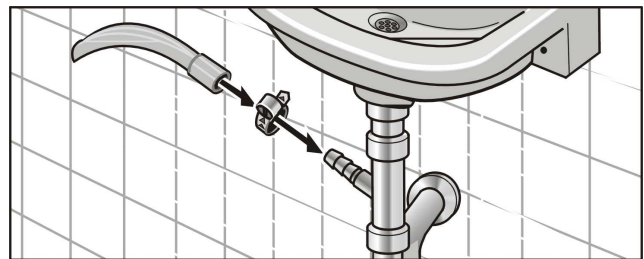
Water drainage hose

Warning

Do not kink or stretch the drainage hose.

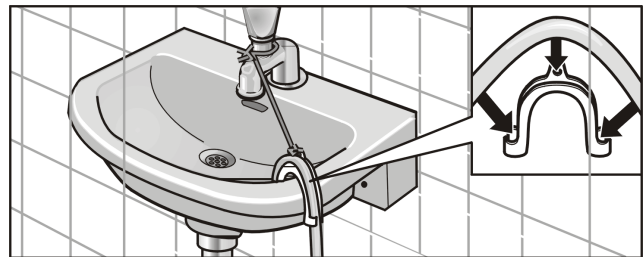
Height difference between the installation surface and drainage point: not more than 100 cm.

Drainage into a siphon:



- Secure connection point with \varnothing 24–40 mm hose clip (specialist outlet).

Drainage into a sink:



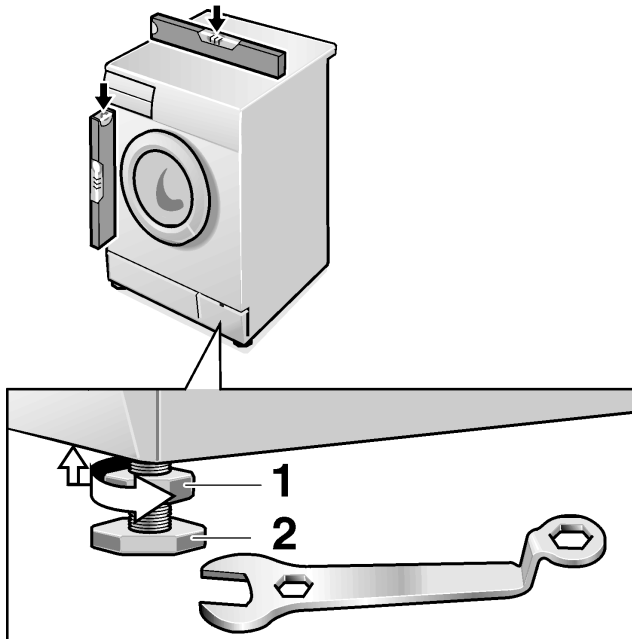
Warning

The plug must not be in the plug hole.

- Secure the drainage hose to prevent it from slipping out of the sink.
- When the water is being pumped out of the washing machine, check that the water drains away quickly enough.

Aligning the washing machine

Align the washing machine with the aid of the four height-adjustable feet and a spirit level:



- Loosen the lock nut **1** with a spanner.
- Adjust the height by rotating the foot **2**.
- Tighten the lock nut **1** against the housing. Simultaneously hold the foot in place and do not adjust the height.

All four feet must be firmly on the floor. The washing machine must not wobble. The lock nuts of all four appliance feet must be screwed tightly against the housing!

Loud noise generation, vibrations and "wandering" may be due to incorrect alignment!

Connecting the power

Warning

Connect the washing machine only to an alternating current via a correctly installed earthed socket.

The mains voltage and the voltage specifications on the washing machine (rating plate) must correspond.

Connected load and the required fuse are indicated on the rating plate.


Ensure that:

- The mains plug and socket are compatible,
- The cable cross-section is adequate,
- The earthing system has been installed correctly.

The mains cable may be changed (if required) by an electrician only.

A replacement mains cable can be obtained from customer service.

Do not use multiple plugs/sockets or extension cables.

If a residual-current-operated circuit-breaker is used, ensure that it bears the following symbol: .

Only this symbol guarantees compliance with currently valid regulations.

Do not insert/pull out the mains plug with wet hands.

Do not pull out the mains plug by tugging the cable.

Transporting the washing machine

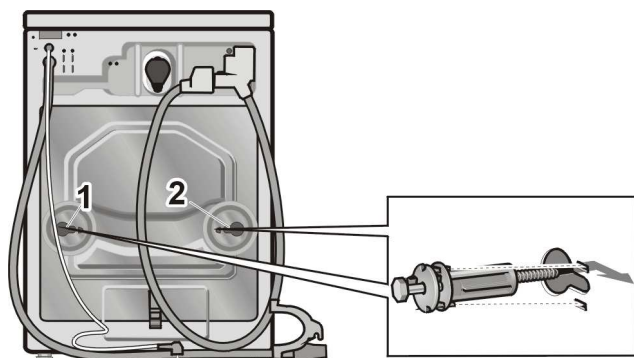
Before you transport the washing machine (e.g. when moving house)

- Turn off the tap,
- Reduce the water pressure in the water inlet hose (see Page 44),
- Drain off any residual water (see Page 43),
- Disconnect the washing machine from the power supply,
- Remove the hoses,
- Remove the two lower covers.

Preparing transportation protection devices

- Pull the bolt out of the bush until the end of the bolt is flush with the end of the bush.

Installing transportation protection devices



- Through the open washing machine door have a second person pull the top of the drum forwards. Insert and tighten transport bolts **1** and **2**. The washer lugs must be located in the groove in the rear panel of the housing.

After transporting and correctly installing and connecting the washing machine and removing the transportation protection devices, run the "Drain" additional programme before starting the first wash programme.

Aqua Stop warranty

In addition to warranty claims made against the vendor based on the sales contract and in addition to our appliance warranty we shall provide compensation under the following conditions:

- 1.** If damage is caused by water due to a fault of our Aqua Stop system, we shall compensate the private user for the damage.
- 2.** This liability guarantee is valid for the service life of the appliance.
- 3.** A prerequisite for making a claim under the warranty is that the appliance has been correctly installed and connected in accordance with our instructions, including a correctly installed and connected Aqua Stop extension (original accessory). Our warranty does not apply to defective supply lines or fittings up to the Aqua Stop connection on the tap.
- 4.** If your washing machine features Aqua Stop, you do not need to keep your eye on the washing machine during operation or turn the tap off afterwards. You should only turn the tap off if you intend being away from home for a prolonged period, e.g. on holiday.

Index

A

Activating the appliance lock, 32
Activating the childproof lock, 32
Additional options, 21
Aligning the washing machine, 58
Appliance lock, 31
Aqua Stop, 61
Aqua-Sensor, 22

B

Bleaching, 41
Blouse, 17

C

Cancelling active programme, 35
Care, 42
Care labels, 14
Childproof lock, 31
Cleaning, 42

- Control panel, 42
- Detergent drawer, 42
- Drain pump, 43
- Drum, 42
- Housing, 42
- Strainer, 44

Cleaning product, 15
Connecting kit, 56
Connecting the power, 59
Connecting the water, 57
Consumption values, 50
Control panel, 6
Control systems, 22
Cottons, 16
Cottons/coloureds, 16, 18
Curtains, 19
Customer service, 51

D

Deactivating the appliance lock, 32
Deactivating the childproof lock, 32
Degrees of dirt, 12
Delicates, 17
Demo programme, 40
Descaling, 44
Detection systems, 22
Detergent, 15

- Adding detergent, 15

Detergent drawer, 15
Dimensions, 54
Display panel, 6
Disposal, information, 3
Dosing detergent, 15
Dosing recommendation, 22
Drain, 19
Dyeing, 41

E

Easy-care, 17
Emergency lock release, 40
Energy saving mode, 25, 46

F

Fault, 45
Fault displays, 49
Functions, 16

H

Hand wash, 18
Hints and tips, 4
Holding bracket, 54
Hose and-cable lengths, 56

I

Indicator light, 6
Installation surface, 54
Internet, 3

L

Language , Reselecting the language, 33
Leakage, 57
Load adjust, 22
Load sensor, 4, 22
Loading the laundry, 24

M

Mix, 18

O

Old appliance, 3
Options, 21, 28
Outdoor wear , 18
Overview at a glance, 26

P

Packaging, 3
Preparing the laundry , 12
Prewash, 21
Production number, 51
Programme, 16
 Changing the programme, 34
 End of programme, 29
 Saving programme, 39
 Selecting Programmes, 16
Programme options, 19
Programme summary, 36
Protection of the environment, 4

R

Reduced Ironing, 21
Remedial action, 45
Remove the washing, 35
Rinse, 19
Rinse hold, 21
Rinse Plus, 21

S

Safety instructions, 4, 52
Saving, 39
Shirt, 17
Signal, 30
Silk, 18
Soaking, 41
Sorting the washing, 12
Spin, 19
Spin speed, 28
Stains, 13, 21
Stains info, 20
Standard accessories, 53
Standard settings, 30
 Resetting , 33
Starching, 41
Summer time, 10

T

Temperature, 27
The laundry, 12
The programme sequence, 34
Time, 10, 30
Topping up washing, 35
Transportation protection devices, 55, 60
Transporting the washing machine, 60

U

Unbalanced load detection system, 22

W

Washing, 23
Washing machine, 5
Water pressure, 57
Winter time, 10
Woollens, 17

