



# 24" TRIMFIT™ LAUNDRY CENTER

**White on White – 26-88752**  
**Almond on Almond – 26-88754**  
**White on White – 26-98752**



## TrimFit™—240/208 Volt Electric

**26-88752 – White on White**  
**26-88754 – Almond on Almond**  
**Gas**  
**26-98752 – White on White**

- 24 inches wide
- 1.5 cu. ft. Washer, 2-speed
- 9 wash cycles
- Dual-Action® agitator
- 3.4 cu. ft. Dryer
- 7 drying cycles, 4 temperatures
- Auto Dry

## F E A T U R E S

Color Selection		
<b>Electric Dryer:</b>	<b>White on White</b>	<b>26-88752</b>
	<b>Almond on Almond</b>	<b>26-88754</b>
<b>Gas Dryer:</b>	<b>White on White</b>	<b>26-98752†</b>

Washer Features	
Basket Volume (Cu. Ft.)	1.5
Number of Speeds	2
Cycle Selections:	9
Heavy Duty	■*
Permanent Press	■**
Knit/Delicate	■
Soak	■
Pre-Wash	Manual
Wash/Rinse Temperatures	4
Water Level Selections	Variable
Dual-Action® Agitator	■
Self-Cleaning Lint Filter	■
Basket Construction	Spreckle/Porc.
Leveling Legs	4
Motor H.P.	1/2

Dryer Features	
Capacity (Cu. Ft.)	3.4
Cycle Selections:	7
Perm Press/Normal/Regular	■
Knit/Delicate	■
Timed Dry	■
Touch-Up	■
Air Dry	■
Temperature Selections	4
Adjustable End-of-Cycle Signal	■
Auto Dry	■
Push/Turn-to-Start Button	■
Internal Lint Filter	■
180 Degree Side Swing Door	■
White Epoxy-Coated Drum	■
Interior Finish	■
Motor H.P.	1/4
Venting	4-Way
4-Way Venting Kit	22-279823
Shipping Weight (Approx. Lbs.)	276

Washer/Electric Dryer:	
Voltage	240
Watts	3,000
Hz/Amps (Breaker/Fuse Size)	60/30
Power Cord	Not Included

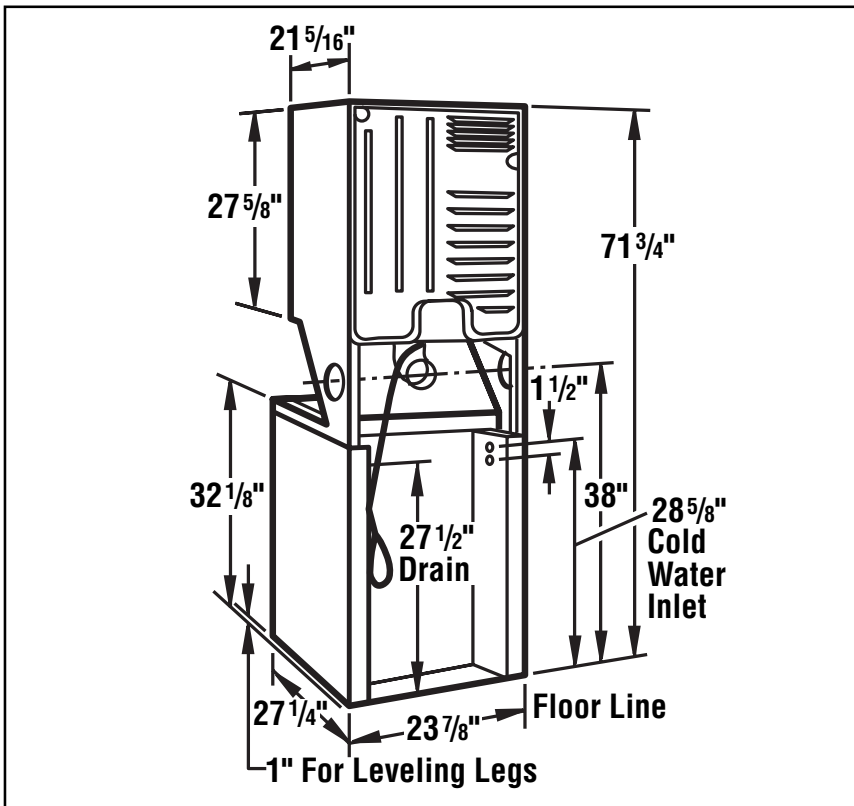
Washer/Gas Dryer:	
BTU/120 Voltage	10,500
Volts/Hz/Amps	120/60/20
L.P. Gas Conversion Kit	26-49573

Warranty	
Full 1-Year Warranty – Mechanical and Electrical Parts	In Home

\*3 Selections - Super, Regular and Short

\*\*3 Selections - Regular, Gentle and Short

†Gas connector attached Porc. = Porcelain



See written warranty or your Account Manager for details



Listed by Underwriters Laboratories

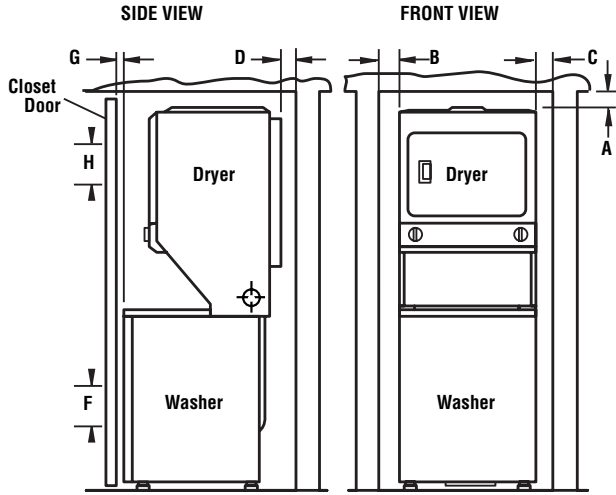
See reverse side for additional information



# 24" TRIMFIT™ LAUNDRY CENTER

**White on White – 26-88752**  
**Almond on Almond – 26-88754**  
**White on White – 26-98752**

## CLOSET INSTALLATION



## MINIMUM SPACING IN INCHES

RECESSED INSTALLATION	A	B	C	D	F	G	H
INSIDE VENT	4	0	4	1			
OUTSIDE VENT	1	0	0	1			

CLOSET INSTALLATION	A	B	C	D	F	G	H
OUTSIDE VENT	1	0	0	1	60 SQ. IN.	1	60 SQ. IN.

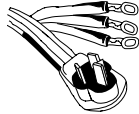
When the Laundry Center is installed in other than the recessed and closet type of installation shown, minimum dimensions indicated must be observed.

To prevent large amounts of lint and moisture from accumulating and to maintain drying efficiency, this appliance must be vented outdoors.

## OPTIONAL POWER CORDS

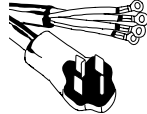
26-2643, 26-2663

26-2644, 26-2664



All Electric Dryers Require Cord Electric Dryer Cords

Order	Wire	Length
26-2643	3	4 ft.
26-2663	3	6 ft.
26-2644*	4	4 ft.
26-2664*	4	6 ft.



\*Complies with 1/1/96 NEC code revision for new construction and remodeling

## VENTING INFORMATION

NUMBER OF 90° TURNS	VENT HOOD TYPE			
	4"	4"	2 1/2"	
0	36 ft.	34 ft.	29 ft.	MAXIMUM LENGTH OF 4" DIAMETER RIGID HEAVY METAL VENT
1	26 ft.	24 ft.	20 ft.	
2	16 ft.	14 ft.	12 ft.	MAXIMUM LENGTH OF 4" DIAMETER FLEXIBLE METAL VENT
0	22 ft.	21 ft.	16 ft.	
1	16 ft.	15 ft.	10 ft.	
2	8 ft.	7 ft.	2 ft.	

## DRYER VENTING RECOMMENDATIONS

**4" Clearance Behind the Dryer is Preferred for Best Airflow.**  
**2" Clearance is Achieved With Periscopes.**

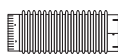
Recommended wall vent hole location: top of hole 36" from floor, centered behind dryer.

### 4" Clearance Behind Dryer

**26-49900** — Over-The-Top™ Kit  
 Universal solution, 8 foot length



**26-49608** — Flexible Pipe  
 4" x 6' with snap-lock fittings  
 90° turn takes 1 foot length and 6" clearance

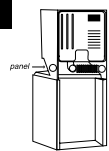


**26-49609** — Close Elbow  
 Turns 90° within 4"  
 Rotating collars and snap-lock fittings



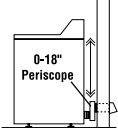
### Laundry Centers

Use 26-49608 Flexible Pipe



### 2" Clearance Behind Dryer

**26-49908** — Periscope 0-18"  
 For outlets which overlap or are very close



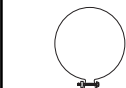
**26-49904** — Periscope 18-29"  
 Reaches side of most dryers

**26-49905** — Periscope 29-50"  
 Reaches top of most dryers

Clamps are recommended for wall and dryer connections. Steel clamps designed to resist stretching, with phillips/hex head screw are included one each on elbows and periscopes.

### 26-98379 — VENT HOOD

Aluminum body and plastic molded hood with a 4" opening.



**4-WAY VENTING KIT**  
 Available Through  
**Sears Parts & Service**  
**1-800-225-2864**

26-279818 – White, 26-279819 – Almond,  
 26-279820 – Black

### Gas Dryer Connector – Stainless Steel

26-49589	1/2" - 3/8" Flex, 5 ft.
26-49584*	3/8" - 3/8" Flex, 5 ft.

\*Los Angeles only

## IMPORTANT NOTE ON DRYER VENTING

Do not use non-metal flexible duct. When installing the venting system, do not exceed the specified length for the vent duct. Venting systems which are longer than specified will accumulate lint, increase drying time and energy use and shorten the life of the dryer.

