



Oasis^{HE}

Automatic Washers

Use and Care Guide

Lavadoras automáticas

Manual de Uso y Cuidado

Laveuses automatiques

Guide d'utilisation et d'entretien

Models/Modelos/Modèles 110.2706*, 2707*, 2708*, 2709*

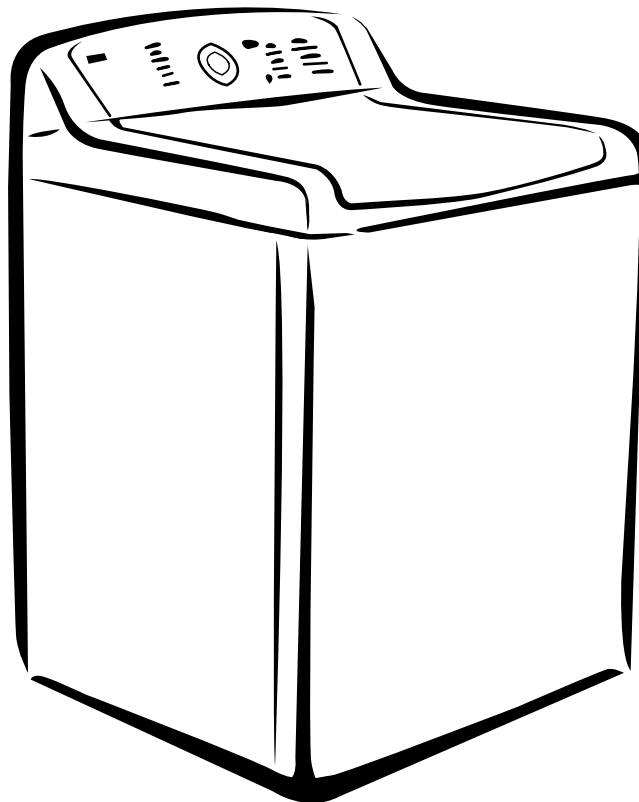
* = color number, número de color, numéro de couleur



Designed to use only
High Efficiency (HE) detergent

Diseñado para utilizar solamente
detergente de alta eficacia

Conçu pour l'utilisation d'un
détergent haute efficacité
seulement



ENGLISH ESPAÑOL FRANÇAIS

8566938

Sears Roebuck and Co., Hoffman Estates, IL 60179 U.S.A.
Sears Canada Inc., Toronto, Ontario, Canada M5B 2B8

www.sears.com
www.sears.ca

TABLE OF CONTENTS

PROTECTION AGREEMENTS	2
In the U.S.A.....	2
In Canada	3
WARRANTY	3
WASHER SAFETY	4
INSTALLATION REQUIREMENTS	5
Tools and Parts	5
Location Requirements	6
Drain System	6
Electrical Requirements.....	7
INSTALLATION INSTRUCTIONS	8
Before You Start.....	8
Remove Shipping Base and Packing Ring	8
Connect Drain Hose	8
Connect the Inlet Hoses.....	9
Secure the Drain Hose	10
Level the Washer	10
Complete Installation.....	11
BENEFITS AND FEATURES	12
WASHER USE	13
Starting Your Washer	13
Using the Proper Detergent	13
Pausing or Restarting the Washer	14
Stopping the Washer.....	14
Changing Cycles, Modifiers and Options	14
Status Lights.....	15
Cycles	15
Modifiers	17
Options	18
Operating Controls	18
Normal Sounds.....	18
LAUNDRY TIPS	19
WASHER CARE	19
Cleaning Your Washer.....	19
Water Inlet Hoses	20
Vacation, Storage and Moving Care	20
TROUBLESHOOTING	21
SERVICE NUMBERS	BACK COVER

PROTECTION AGREEMENTS

In the U.S.A.

Master Protection Agreements

Congratulations on making a smart purchase. Your new Kenmore® product is designed and manufactured for years of dependable operation. But like all products, it may require preventive maintenance or repair from time to time. That's when having a Master Protection Agreement can save you money and aggravation.

Purchase a Master Protection Agreement now and protect yourself from unexpected hassle and expense.

The Master Protection Agreement also helps extend the life of your new product. Here's what's included in the Agreement:

- ✓ **Expert service** by our 12,000 professional repair specialists
- ✓ **Unlimited service and no charge** for parts and labor on all covered repairs
- ✓ **"No-lemon" guarantee** – replacement of your covered product if four or more product failures occur within twelve months
- ✓ **Product replacement** if your covered product can't be fixed
- ✓ **Annual Preventive Maintenance Check** at your request – no extra charge
- ✓ **Fast help by phone** – phone support from a Sears technician on products requiring in-home repair, plus convenient repair scheduling
- ✓ **Power surge protection** against electrical damage due to power fluctuations
- ✓ **Rental reimbursement** if repair of your covered product takes longer than promised

Once you purchase the Agreement, a simple phone call is all that it takes for you to schedule service. You can call anytime day or night, or schedule a service appointment online.

Sears has over 12,000 professional repair specialists, who have access to over 4.5 million quality parts and accessories. That's the kind of professionalism you can count on to help prolong the life of your new purchase for years to come. Purchase your Master Protection Agreement today!

Some limitations and exclusions apply. For prices and additional information, call 1-800-827-6655.

Sears Installation Service

For Sears professional installation of home appliances, garage door openers, water heaters, and other major home items, in the U.S.A. call **1-800-4-MY-HOME®**.

In Canada

Maintenance Agreements

Your purchase has added value because you can depend on Sears HomeCentral® for service. With over 2,400 Service Technicians and more than a million parts and accessories, we have the tools, parts, knowledge and skills to back our pledge: We Service What We Sell.

Your Kenmore® product is designed, manufactured and tested to provide years of dependable operation. But like all products, it may require service from time to time. The Sears Maintenance Agreement offers you an outstanding service program, affordably priced.

The Sears Maintenance Agreement

- Is your way to buy tomorrow's service at today's price
- Eliminates repair bills resulting from normal wear and tear
- Provides phone support from a Sears technician on products requiring in-home repair
- Even if you don't need repairs, provides an annual Preventive Maintenance Check, at your request, to ensure that your product is in proper running condition.

Some limitations apply. For more information about Sears Canada Maintenance Agreements, call 1-800-361-6665.

KENMORE ELITE® APPLIANCE WARRANTY

ONE YEAR LIMITED WARRANTY

When installed, operated and maintained according to all instructions supplied with the product, if this appliance fails due to a defect in material or workmanship within one year from the date of purchase, call 1-800-4-MY-HOME® to arrange for free repair.

TEN-YEAR LIMITED WARRANTY ON STAINLESS STEEL DRUM AND PLASTIC TUB

For ten years from the date of purchase, when this washer is installed, operated and maintained according to all instructions supplied with the product, Sears will replace the stainless steel drum and/or plastic tub due to defective materials or workmanship. After the first year, customer assumes any labor costs associated with replacement of these parts.

If this appliance is used for other than private family purposes, this warranty applies for only 90 days from the date of purchase.

THIS WARRANTY COVERS ONLY DEFECTS IN MATERIAL AND WORKMANSHIP. SEARS WILL NOT PAY FOR:

1. Expendable items that can wear out from normal use, including but not limited to filters, belts, light bulbs, and bags.
2. A service technician to instruct the user in correct product installation, operation or maintenance.
3. A service technician to clean or maintain this product.
4. Damage to or failure of this product if it is not installed, operated or maintained according to all instructions supplied with the product.
5. Damage to or failure of this product resulting from accident, abuse, misuse or use for other than its intended purpose.
6. Damage to or failure of this product caused by the use of detergents, cleaners, chemicals or utensils other than those recommended in all instructions supplied with the product.
7. Damage to or failure of parts or systems resulting from unauthorized modifications made to this product.

DISCLAIMER OF IMPLIED WARRANTIES; LIMITATION OF REMEDIES

Customer's sole and exclusive remedy under this limited warranty shall be product repair as provided herein. Implied warranties, including warranties of merchantability or fitness for a particular purpose, are limited to one year or the shortest period allowed by law. Sears shall not be liable for incidental or consequential damages. Some states and provinces do not allow the exclusion or limitation of incidental or consequential damages, or limitations on the duration of implied warranties of merchantability or fitness, so these exclusions or limitations may not apply to you.

This warranty applies only while this appliance is used in the United States and Canada.

This warranty gives you specific legal rights, and you may also have other rights which vary from state to state.

Sears, Roebuck and Co.
Dept. 817WA, Hoffman Estates, IL 60179
Sears Canada Inc.
Toronto, Ontario, Canada M5B 2B8

PRODUCT RECORD

In the space below, record your complete model number, serial number, and purchase date. You can find this information on the model and serial number label located on the product.

Have this information available to help you obtain assistance or service more quickly whenever you contact Sears concerning your appliance.

Model number _____

Serial number _____

Purchase date _____

Save these instructions and your sales receipt for future reference.

WASHER SAFETY

Your safety and the safety of others are very important.

We have provided many important safety messages in this manual and on your appliance. Always read and obey all safety messages.



This is the safety alert symbol.

This symbol alerts you to potential hazards that can kill or hurt you and others.

All safety messages will follow the safety alert symbol and either the word "DANGER" or "WARNING." These words mean:

⚠ DANGER

You can be killed or seriously injured if you don't immediately follow instructions.

⚠ WARNING

You can be killed or seriously injured if you don't follow instructions.

All safety messages will tell you what the potential hazard is, tell you how to reduce the chance of injury, and tell you what can happen if the instructions are not followed.

IMPORTANT SAFETY INSTRUCTIONS

WARNING: To reduce the risk of fire, electric shock, or injury to persons when using the washer, follow basic precautions, including the following:

- Read all instructions before using the washer.
- Do not wash articles that have been previously cleaned in, washed in, soaked in, or spotted with gasoline, dry-cleaning solvents, other flammable, or explosive substances as they give off vapors that could ignite or explode.
- Do not add gasoline, dry-cleaning solvents, or other flammable, or explosive substances to the wash water. These substances give off vapors that could ignite or explode.
- Under certain conditions, hydrogen gas may be produced in a hot water system that has not been used for 2 weeks or more. **HYDROGEN GAS IS EXPLOSIVE.** If the hot water system has not been used for such a period, before using the washing machine, turn on all hot water faucets and let the water flow from each for several minutes. This will release any accumulated hydrogen gas. As the gas is flammable, do not smoke or use an open flame during this time.
- Do not allow children to play on or in the washer. Close supervision of children is necessary when the washer is used near children.
- Before the washer is removed from service or discarded, remove the door or lid.
- Do not reach into the washer if the drum, tub or agitator is moving.
- Do not install or store the washer where it will be exposed to the weather.
- Do not tamper with controls.
- Do not repair or replace any part of the washer or attempt any servicing unless specifically recommended in this manual or in published user-repair instructions that you understand and have the skills to carry out.
- See "Electrical Requirements" for grounding instructions.

SAVE THESE INSTRUCTIONS

INSTALLATION REQUIREMENTS

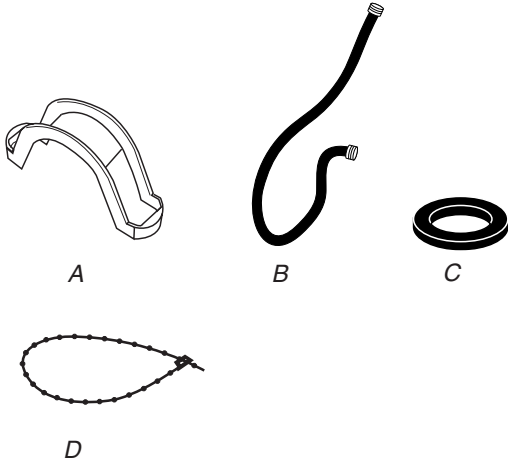
Tools and Parts

Gather the required tools and parts before starting installation. The parts supplied are in the washer basket.

Tools needed for connecting the drain hose and water inlet hoses:

- Pliers that open to 1 $\frac{1}{16}$ " (3.95 cm)
- Flashlight (optional)

Parts supplied:



A. Drain hose form
 B. Water inlet hoses (2)
 C. Flat water inlet hose washers (4)
 D. Beaded tie strap

Tools needed for securing the drain hose and leveling the washer:

- Adjustable or open end wrench $\frac{9}{16}$ " (14 mm)
- Level
- Wood block
- Ruler or measuring tape

Alternate Parts

Parts listed are available from your local Sears store or Sears Service Center. For further information, call **1-800-4-MY-HOME® (1-800-469-4663)**.

If You Have:	You Will Need to Buy:
Laundry tub or standpipe taller than 96" (2.4 m)	Sump pump system (if not already available)
1" (2.5 cm) diameter standpipe	2" (5 cm) diameter to 1" (2.5 cm) diameter standpipe adapter, Part Number 3363920 and connector kit Part Number 285835
Overhead sewer	Standard 20 gal. (76 L) 39" (99 cm) tall drain tub or utility sink, sump pump and connectors (available from local plumbing suppliers)
Floor drain	Siphon break, Part Number 285834; additional drain hose, Part Number 8318155 and connector kit, Part Number 285835
Water faucets beyond reach of fill hoses	2 longer water fill hoses: 6 ft (1.8 m) Part Number 76314, 10 ft (3.0 m) Part Number 350008
Lint clogged drain	Drain protector, Part Number 367031

Location Requirements

Selecting the proper location for your washer improves performance and minimizes noise and possible washer “walk.” Your washer can be installed in a basement, laundry room, closet, or recessed area. See “Drain System.”

IMPORTANT: Do not install or store the washer where it will be exposed to the weather.

Proper installation is your responsibility.

You will need:

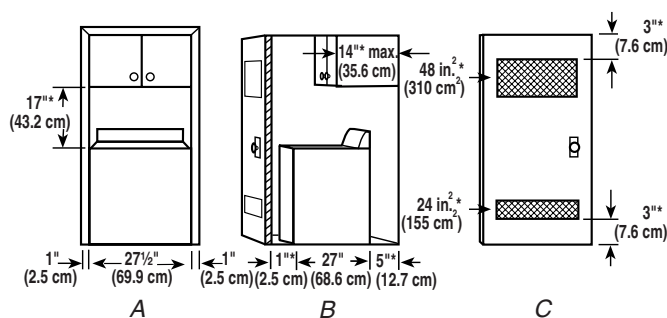
- A water heater set to deliver 120°F (49°C) water to the washer.
- A grounded electrical outlet located within 4 ft (1.2 m) of where the power cord is attached to the back of the washer. See “Electrical Requirements.”
- Hot and cold water faucets located within 3 ft (90 cm) of the hot and cold water fill valves, and water pressure of 20-100 psi (138-690 kPa) for best performance.
- A level floor with a maximum slope of 1" (2.5 cm) under entire washer. Installing the washer on carpeting is not recommended.
- A sturdy floor to support the washer weight (washer, water and load) of 315 lbs (143 kgs).

Do not store or operate your washer in temperatures at or below 32°F (0°C). Some water can remain in the washer and can cause damage in low temperatures. See “Washer Care” for winterizing information.

Installation spacing for recessed area and closet installations

The following spacing dimensions are recommended for this washer. This washer has been tested for installation with spacing of 0" (0 cm) clearance on the sides. Recommended spacing should be considered for the following reasons:

- Additional spacing should be considered for ease of installation and servicing.
- Additional spacing should be considered on all sides of the washer to reduce noise transfer.
- For closet installation with a door, minimum ventilation openings in the top and bottom of the door are required. Louvered doors with equivalent ventilation openings are acceptable.
- Companion appliance spacing should also be considered.



A. Front view
B. Side view
C. Closet door with vents

* Required spacing

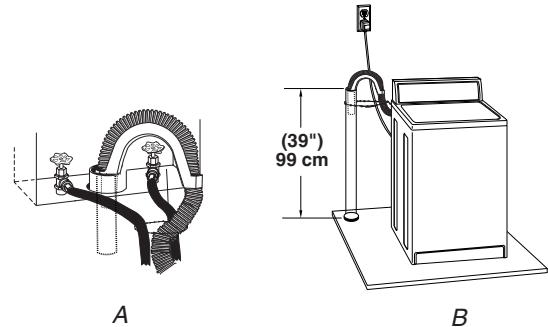
Drain System

The washer can be installed using the standpipe drain system (floor or wall), the laundry tub drain system, or the floor drain system. Select the drain hose installation method you need. See “Tools and Parts.”

Standpipe drain system— wall or floor (views A & B)

The standpipe drain requires a minimum diameter standpipe of 2" (5 cm). The minimum carry-away capacity can be no less than 17 gal. (64 L) per minute. A 2" (5 cm) diameter to 1" (2.5 cm) diameter standpipe adapter kit is available. See “Tools and Parts.”

The top of the standpipe must be at least 39" (99 cm) high and no higher than 96" (244 cm) from the bottom of the washer.



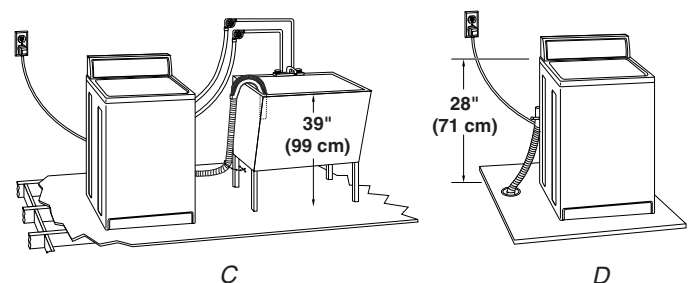
Laundry tub drain system (view C)

The laundry tub needs a minimum 20 gal. (76 L) capacity. The top of the laundry tub must be at least 39" (99 cm) above the floor and no higher than 96" (244 cm) from the bottom of the washer.

Floor drain system (view D)

The floor drain system requires a siphon break that may be purchased separately. See “Tools and Parts.”

The siphon break must be a minimum of 28" (71 cm) from the bottom of the washer. Additional hoses might be needed.



Electrical Requirements

⚠ WARNING



Electrical Shock Hazard

Plug into a grounded 3 prong outlet.

Do not remove ground prong.

Do not use an adapter.

Do not use an extension cord.

Failure to follow these instructions can result in death, fire, or electrical shock.

- A 120 volt, 60 Hz., AC only, 15- or 20-amp, fused electrical supply is required. A time-delay fuse or circuit breaker is recommended. It is recommended that a separate circuit serving only this appliance be provided.
- This washer is equipped with a power supply cord having a 3 prong grounding plug.
- To minimize possible shock hazard, the cord must be plugged into a mating, 3 prong, grounding-type outlet, grounded in accordance with local codes and ordinances. If a mating outlet is not available, it is the personal responsibility and obligation of the customer to have the properly grounded outlet installed by a qualified electrician.
- If codes permit and a separate ground wire is used, it is recommended that a qualified electrician determine that the ground path is adequate.

- Do not ground to a gas pipe.
- Check with a qualified electrician if you are not sure the washer is properly grounded.
- Do not have a fuse in the neutral or ground circuit.

GROUNDING INSTRUCTIONS

For a grounded, cord-connected washer:

This washer must be grounded. In the event of a malfunction or breakdown, grounding will reduce the risk of electrical shock by providing a path of least resistance for electric current. This washer is equipped with a cord having an equipment-grounding conductor and a grounding plug. The plug must be plugged into an appropriate outlet that is properly installed and grounded in accordance with all local codes and ordinances.

WARNING: Improper connection of the equipment-grounding conductor can result in a risk of electric shock. Check with a qualified electrician or serviceman if you are in doubt as to whether the appliance is properly grounded.

Do not modify the plug provided with the appliance – if it will not fit the outlet, have a proper outlet installed by a qualified electrician.

For a permanently connected washer:

This washer must be connected to a grounded metal, permanent wiring system, or an equipment grounding conductor must be run with the circuit conductors and connected to the equipment-grounding terminal or lead on the appliance.

INSTALLATION INSTRUCTIONS

Before You Start

⚠ WARNING

Excessive Weight Hazard

**Use two or more people to move and install washer.
Failure to do so can result in back or other injury.**

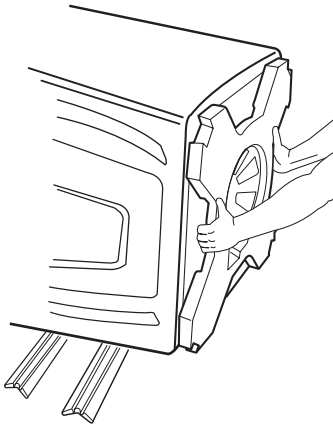
NOTE: To avoid floor damage, set the washer onto cardboard before moving across floor.

IMPORTANT:

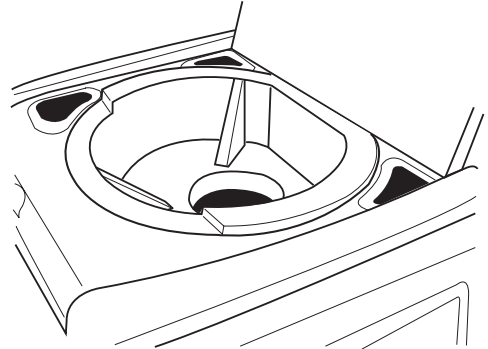
- Be sure the foam shipping base has been removed from the bottom of the washer as directed in the Unpacking Instructions.
- If foam shipping base has not been removed, be sure lid is secured with tape before laying washer on its back.
- Removing the foam shipping base is necessary for proper operation.

Remove Shipping Base and Packing Ring

1. Place cardboard supports from shipping carton on floor behind washer for support.
2. Using 2 or more people, tip the washer onto its back and place on cardboard supports.
3. Remove foam shipping base.



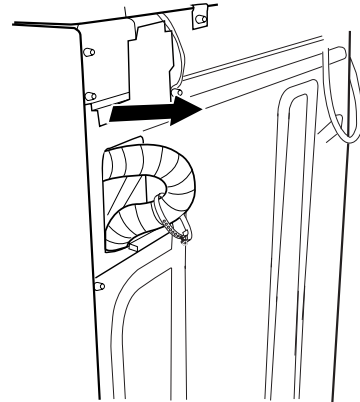
4. Set washer upright.
5. Remove tape from lid. Open lid and remove foam packing ring from washer tub. Keep foam packing ring in case you need to move the washer in the future.



Connect Drain Hose

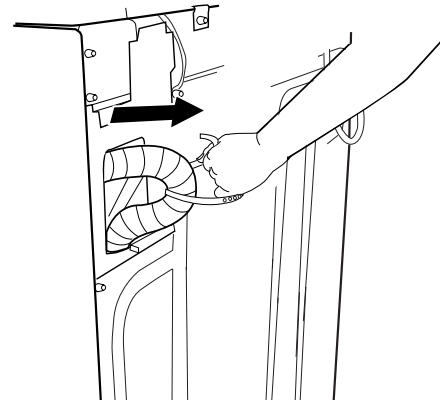
Proper connection of the drain hose protects your floors from damage due to water leakage. Read and follow these instructions.

The drain hose is connected to your washer and is stored inside the washer cabinet.



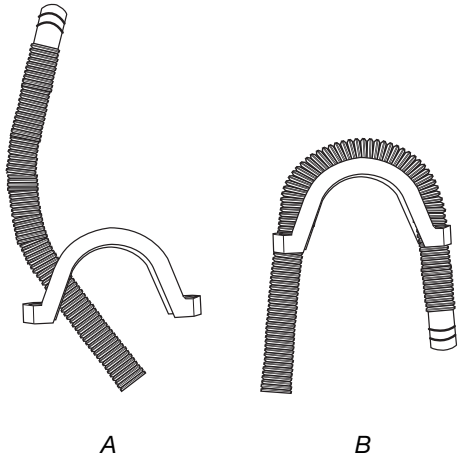
Remove drain hose from washer cabinet

Pull the corrugated drain hose out of the washer by first grabbing the pull tie. Continue to pull the hose until the end emerges. Do not force excess drain hose back into the rear of the washer.



Laundry tub drain or standpipe drain

Connecting the drain hose form to the corrugated drain hose



A. Feed end of drain hose into one end of form. Secure the lip of the form into one of the hose ribs.

B. Bend the hose over the top of the form and feed into the other end of the form. Secure the lip of form into one of the hose ribs.

To keep drain water from going back into the washer:

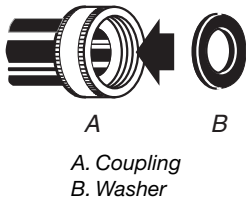
- Do not force excess drain hose into standpipe. Hose should be secure but loose enough to provide a gap for air.
- Do not lay excess hose on the bottom of the laundry tub.

Floor drain

Do not install the drain hose form on to the corrugated drain hose. You may need additional parts. See Floor drain under "Tools and Parts."

Connect the Inlet Hoses

1. Insert new flat washers (supplied) into each end of the inlet hoses. Firmly seat the washers in the couplings.



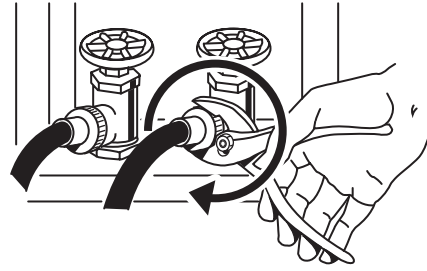
A. Coupling
B. Washer

Connect the inlet hoses to the water faucets

Make sure the washer basket is empty.

2. Attach the hose labeled hot to the hot water faucet. Screw on coupling by hand until it is seated on the washer.
3. Attach the hose labeled cold to the cold water faucet. Screw on coupling by hand until it is seated on the washer.

4. Using pliers, tighten the couplings with an additional two-thirds turn.

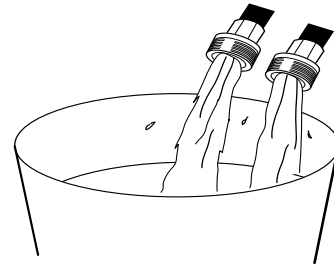


Tighten the couplings with an additional two-thirds turn.

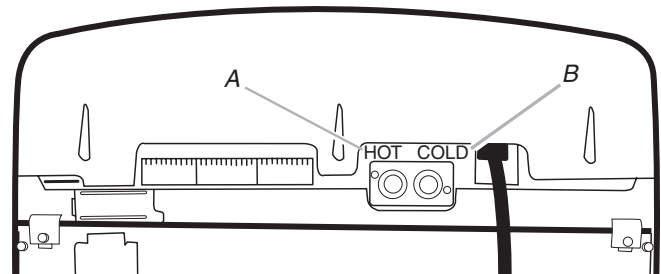
NOTE: Do not overtighten or use tape or sealants on the valve. Damage to the valves can result.

Clear the water lines

- Run water through both faucets and inlet hoses, into a laundry tub, drainpipe or bucket, to get rid of particles in the water lines that might clog the inlet valve screens.
- Check the temperature of the water to make sure that the hot water hose is connected to the hot water faucet and that the cold water hose is connected to the cold water faucet.

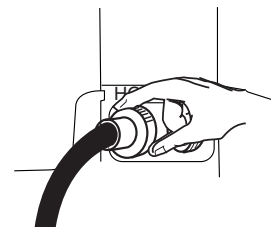


Connect the inlet hoses to the washer



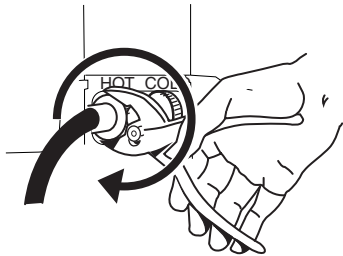
A. Hot water inlet valve
B. Cold water inlet valve

1. Attach the hot water hose to the inlet valve labeled hot.
2. Attaching one hose coupling first makes it easier to tighten the connection with pliers.
3. Screw on coupling by hand until it is seated on the washer.



- Using pliers, tighten the coupling with an additional two-thirds turn.

NOTE: Do not overtighten or use tape or sealants on the valve. Damage to the valves can result.



- Attach the cold water hose to the inlet valve labeled cold.
- Screw on coupling by hand until it is seated on the washer.
- Using pliers, tighten the coupling with an additional two-thirds turn.

NOTE: Do not overtighten or use tape or sealants on the valve. Damage to the valves can result.

Check for leaks

- Turn on the water faucets and check for leaks. A small amount of water might enter the washer. You will drain this in a later step.

NOTE: Replace inlet hoses after 5 years of use to reduce the risk of hose failure. Record hose installation or replacement dates for future reference.

- If you connect only one water hose, you must cap off the remaining water inlet port.
- Periodically inspect and replace hoses if bulges, kinks, cuts, wear, or leaks are found.

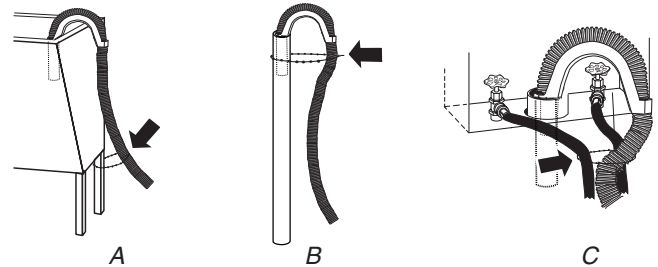
Secure the Drain Hose

- Drape the power cord over the console.
- Remove any cardboard used to move washer.



Beaded tie strap

- Fasten the drain hose to the laundry tub leg or drain standpipe with the beaded tie strap. See view A or B.



If the washer faucets and the drain standpipe are recessed, put the formed end of the drain hose into the standpipe. Tightly wrap the tie strap around the water inlet hoses and the drain hose. See view C.

Level the Washer

⚠ WARNING

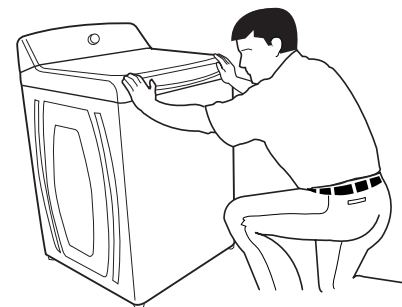
Excessive Weight Hazard

Use two or more people to move and install washer.

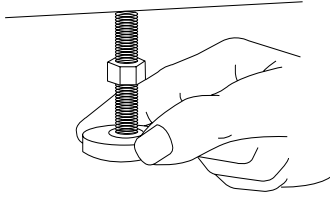
Failure to do so can result in back or other injury.

One washer foot has been installed at a different height on your new washer. The other three feet were preset at the factory. Properly leveling your washer will minimize noise and vibration.

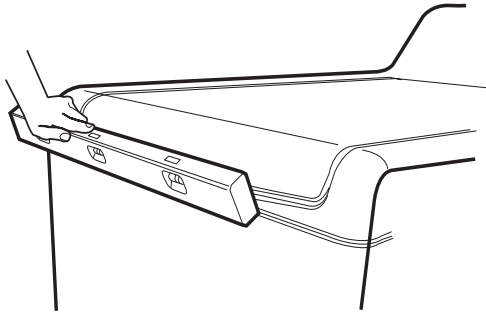
- Slide the washer to its final location.
- Push on upper front panel to be sure the washer is on its rear feet.



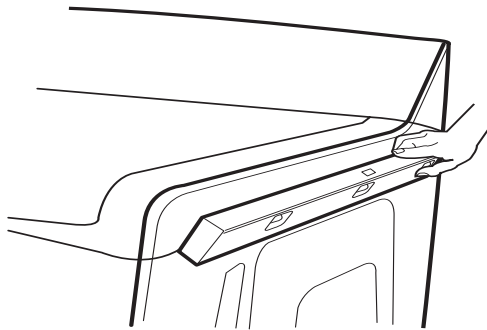
- Lower right front foot until it contacts the floor. By hand, firmly rotate foot as much as an additional 1½ turns. The other three feet have been preset at the factory.



- Check the levelness of the washer by placing a level in the crease between the top of the washer and the cabinet, first on the front and then on the side.



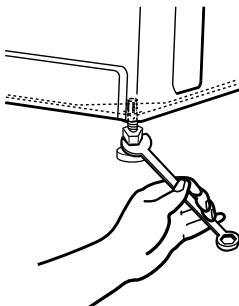
Level the front.



Level the side.

- If the washer is not level, move the washer out slightly, tip back, prop up the front of the washer on a wood block. Adjust the feet up or down as necessary by twisting the feet. Repeat steps 1 through 4 until washer is level.
- Use a 9/16" or 14 mm open-end wrench to turn the locknut counterclockwise on the foot tightly against the washer cabinet.

IMPORTANT: If the locknut is not tight against the washer cabinet, the washer may vibrate.



Complete Installation

- Check the electrical requirements. Be sure that you have the correct electrical supply and the recommended grounding method. See "Electrical Requirements."
- Check that all parts are now installed. If there is an extra part, go back through the steps to see which step was skipped.
- Check that you have all of your tools.
- Keep the foam packing ring from the washer tub for future relocation of the washer. Dispose of or recycle all other packaging materials.
- Check that the water faucets are on.
- Check for leaks around faucets and inlet hoses.

⚠ WARNING



Electrical Shock Hazard

Plug into a grounded 3 prong outlet.

Do not remove ground prong.

Do not use an adapter.

Do not use an extension cord.

Failure to follow these instructions can result in death, fire, or electrical shock.

- Plug into a grounded 3 prong outlet.
- Remove any protective film or tape remaining on the washer.
- Read "Washer Use."
- To test and to clean your washer, measure ½ of the detergent manufacturer's recommended amount of High Efficiency (HE) powdered or liquid detergent for a medium size load and pour it into the detergent dispenser. Close the lid. Press POWER. Select a normal cycle and press Start. Allow it to complete one whole cycle.

BENEFITS AND FEATURES

Your washer has several benefits and features that are summarized here. Some items may not apply to your model.

Benefits

gentlewash™ High-Efficiency Wash System

Your new top loading, high-efficiency washer saves you time by allowing you to do fewer, larger loads. It also conserves resources and also lowers your water and energy bills by using the following innovations.

Auto Water Level

This washer senses the load size and composition through a series of fills and wash motion. It then adjusts the water level for the best cleaning and rinsing performance. It eliminates the guesswork. The water level is just right for every wash load size. **NOTE:** You may notice during a cycle that the wash load is not completely submerged in water. This is normal for your washer.

Auto Temperature Control (ATC)

The Auto Temperature Control (ATC) on this washer electronically senses and maintains a uniform water temperature by regulating incoming water temperatures. Using ATC will help dissolve detergent.

INVIZIBLE™ Agitator

Your new washer works differently than most washers that you are accustomed to. The most striking difference is that the washer has an invisible agitator. It uses this new innovative agitator at the bottom of the wash basket to move your load through a mixture of water and detergent. The load is moved from the outside toward the middle with items coming up in the center and down on the outside edges.

Dispensers

The dispensers make your washer truly automatic. It is unnecessary for you to return to the washer during the cycle to add detergent, bleach, or fabric softener.

Laundry additives are added to the load at the proper time in the wash cycle.

Spin Speeds

This washer is preset to automatically select the spin speed based on the cycle selected. Depending on your wash load, you can change the preset speeds. The spin speed on this washer is nearly twice as fast as that of a conventional washer. You may notice different sounds during a spin cycle because of this higher rate of speed.

Stain Treat (CATALYST® Cleaning Action)

The Stain Treat option helps to ensure better soil and stain removal. Stain Treat reduces the need for pretreatment and is safe for all fabrics. Water flushes through the dispenser to dissolve the detergent. The detergent mixture is then sprayed onto the load while the washer spins at low speed. This cleaning action will last up to 5 minutes depending on the cycle selected. The washer then stops spinning, fills with water to the appropriate level and continues washing with the selected cycle.

High Efficiency (HE) Detergent

This washer is designed for High Efficiency (HE) detergent use only. HE detergents are made to produce the right amount of suds and give the best performance in low water wash systems.



Features

Innovative Features

Your new washer includes these features that help to reduce noise, increase the ease of use and improve wash performance.

Electronic Controls

Electronic controls with preset cycles are easy to use whether you are a beginner or an “expert.”

Quiet Operation

This washer is insulated with sound-dampening materials to reduce washer operation sounds and noises. On some models, an additional tub wrap is added for superior vibration and sound-dampening.

Suspension System

To reduce washer “walk” and “out of balance” conditions, your new washer combines:

- 4 Spring damper struts to isolate vibration
- Balance ring at the top and bottom of the wash basket to minimize vibration
- Operating software designed to sense and correct off-balance loads

Clean Washer Cycle

This washer features an easy-to-use Clean Washer cycle that thoroughly cleans the inside of your washing machine using higher water volumes in combination with liquid chlorine bleach.

Stainless Steel Basket

The stainless steel basket is corrosion resistant and enables higher spin speeds for more water extraction, reducing drying time.

Force Filter Wash/Rinse System

This washer filters 100% of the wash and rinse water. The water is filtered then recirculated. The force filter traps sand and dirt, flushing them down the drain, so they are not redeposited onto the clean clothes.

Save Energy Plus Option

The Save Energy Plus option allows you to increase your energy savings on the higher temperature cycles (Whitest Whites and Heavy Duty) while maintaining cleaning performance by lengthening the wash time by only approximately 5 minutes.

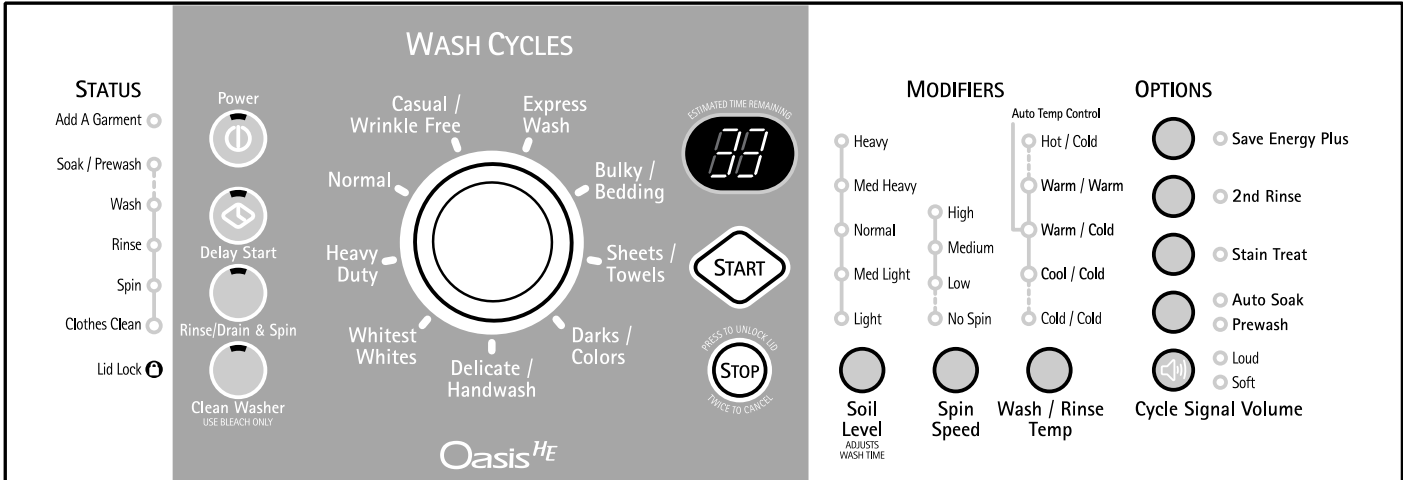
Delay Start

Delay Start allows you to load your washer and pause the start of the cycle for up to 13 hours.

End of Cycle Signal

The End of Cycle Signal produces an audible sound when the wash cycle is finished. This signal is helpful when you are removing items from the washer as soon as it stops.


WASHER USE



NOTE: Your washer model may differ slightly.

Starting Your Washer

⚠ WARNING



Fire Hazard

Never place items in the washer that are dampened with gasoline or other flammable fluids.

No washer can completely remove oil.

Do not dry anything that has ever had any type of oil on it (including cooking oils).

Doing so can result in death, explosion, or fire.

WARNING: To reduce the risk of fire, electric shock, or injury to persons, read the IMPORTANT SAFETY INSTRUCTIONS before operating this appliance. The following is a guide to starting your washer. Periodic references to other sections of this manual provide more detailed information.

Using the Proper Detergent

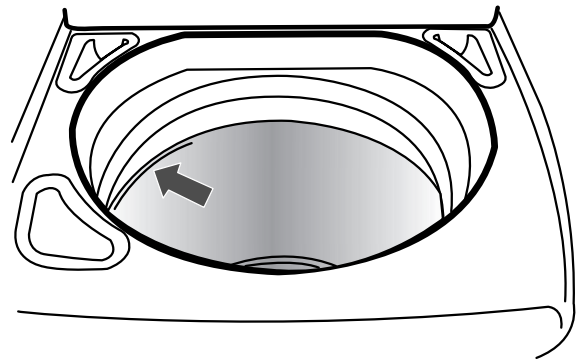
Use only High Efficiency (HE) detergents. The package for this type of detergent will be marked "HE" or "High Efficiency." HE detergents such as TIDE® HE are made to produce the right amount of suds for the best performance in low water wash systems. Follow the detergent manufacturer's instructions to determine the correct amount of detergent to use. Your washer's new wash system will create too much sudsing if regular non-HE detergent is used. Using regular detergent will likely result in washer errors, longer cycle times and reduced rinsing performance.

It may also result in component failures and noticeable mold or mildew. Use of regular (non-HE) detergent will void your warranty. See "Warranty."



Use only "HE" High Efficiency detergent.

- Place a load of sorted clothes into the washer. See "Laundry Tips."
 - Load evenly to maintain washer balance. Mix large and small items.
 - Load only to the top of the basket as shown. Overloading can cause poor cleaning.

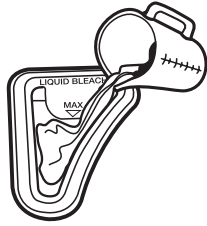


- Pour measured powdered or liquid High Efficiency (HE) detergent into the detergent dispenser. Do not put detergent directly into the wash tub or onto clothes in the washer.



ENGLISH

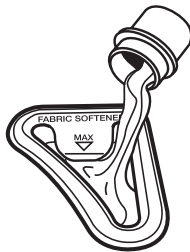
3. Add color-safe bleach (powdered or liquid) to this dispenser, if needed. Be sure to match powdered color-safe bleach with powdered detergent or match liquid color-safe bleach with liquid detergent.
4. Pour measured liquid chlorine bleach into the liquid chlorine bleach dispenser, if needed. Bleach is automatically dispensed at the proper time during the wash cycle.



- Do not overfill. Do not dilute. Do not use more than 1 cup (250 mL) for a full load. Use less with a smaller load size.
- Follow the garment and the chlorine bleach manufacturer's directions for proper use.
- To avoid spilling, use a cup with a pouring spout. Do not let bleach splash, drip, or run down into the washer basket.
- At the end of the cycle, a small amount of water may be left in the dispenser. This is normal.

NOTE: Use only liquid chlorine bleach in this dispenser.

5. Pour measured liquid fabric softener into the fabric softener dispenser, if desired.



- Do not overfill. The dispenser holds 3 oz (94 mL), or a capful of fabric softener.
- The fabric softener is dispensed in the rinse cycle. If 2nd Rinse is selected, the fabric softener will be dispensed during the 2nd Rinse.
- Do not use fabric softener dispensing balls in this washer. Dispensing balls will not operate correctly with this washer.
- Do not spill or drip any fabric softener onto the clothes.
- At the end of the cycle, a small amount of water may be left in the dispenser. This is normal.

NOTE: Use only liquid fabric softener in this dispenser.

6. Close the washer lid.
7. Press POWER. This turns on the washer display.
8. Select a Wash Cycle. See "Cycles."
9. Adjust the Modifiers, if desired. See "Modifiers."
10. Select desired Options. See "Options."
11. Select Delay Start, if desired. See "Delay Start" in the "Modifiers" section.
12. Press START. The wash cycle begins, and the display shows the estimated remaining time. The lid will lock.

NOTE: If you do not press Start within 5 minutes of pressing Power, the washer automatically shuts off.

Pausing or Restarting the Washer

Add a Garment

You can place additional clothing in the wash when the "Add a Garment" status light is glowing without sacrificing wash performance.

To add a garment or pause the washer at any time

1. Press STOP once.
2. Wait until the Lid Lock light turns off, then open the lid.
3. Add items.

To restart the washer

1. Close the lid and press START.
2. To unlock the lid after the Add a Garment period, press STOP once. Pressing STOP twice will cancel the wash cycle.

Stopping the Washer

You can stop the wash cycle and drain the tub by pressing the Stop button twice or the Power button once.

Changing Cycles, Modifiers and Options

You can change Cycles, Modifiers and Options anytime before Start is pressed. Not all Modifiers and Options are available for all cycles.

- A short tone sounds when a change is selected.
- Three short tones sound if an unavailable combination is selected. The last selection will not be accepted.

Changing Cycles during the wash cycle

1. Press STOP twice to cancel the cycle. The washer will drain.
2. Press POWER.
3. Select the desired wash cycle.
4. Select the desired Modifiers and Options.
5. Press START.

The washer restarts at the beginning of the new cycle.

NOTE: If you do not press Start within 5 minutes of pausing the washer, the washer automatically shuts off.

Changing Modifiers and Options during the wash cycle

You can change a Modifier or Option anytime before the selected Modifier or Option begins. You must:

1. Press STOP once.
2. Select the desired Modifiers and/or Options.
3. Press START.

To manually drain the washer and spin the load

1. Press STOP twice to cancel the wash cycle and drain the washer.
2. Press POWER.
3. Press DRAIN & SPIN.
4. Press START.

When the spin is complete, the lid unlocks. Items can be removed from the washer.

Status Lights

These lights show which portion of the cycle the washer is operating. They also indicate when you can add other garments to the wash load.



Clothes Clean

The Clothes Clean light stays on until the lid is opened or the Power button is pressed.

Lid Lock

When the Lid Lock status light glows, the washer lid is locked.

NOTE: You must wait until the Lid Lock light turns off before the lid can be opened.

Indicator lights

An indicator light shows which Cycle, Modifiers and Options you have selected.

Estimated Time Remaining

Cycle time in minutes will appear in the display while you are making selections. The total cycle time will appear, including an estimated time for drain and fill times, once Start is pressed.

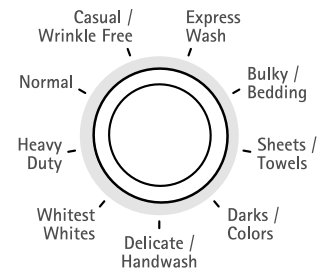


NOTES:

- The time is an estimation only and may vary depending on load size, cycle, modifiers and options selected.
- You may notice the time adjusting during the cycle. This is normal.
- The cycle time may be extended if oversudsing occurs or the load is unbalanced.

Cycles

Turn the knob to choose the right wash cycle for the type of fabrics you are washing. When the knob points to a cycle, the indicator light for the cycle will glow. If the default settings for the Modifiers and Options are suitable for your wash load, you may press Start to begin the wash cycle.



Preset Cycle Settings

For ease of use, preset cycle settings provide the recommended fabric care settings for each cycle.

To use the preset cycle settings:

1. Press POWER.
2. Select the cycle you want by turning the knob. The preset cycle settings will be displayed (see following chart).
3. Press START. The wash cycle will begin.

Preset Cycle Settings

Cycle	Preset Minutes	Soil Level*	Wash/Rinse Temp
Whitest Whites	79	Heavy	Hot/Cold (No ATC)
Heavy Duty	74	Heavy	Hot/Cold (No ATC)
Normal	43	Normal	Warm/Cold
Casual/Wrinkle Free	44	Medium Light	Warm/Cold
Express Wash	34	Light	Warm/Warm
Bulky/Bedding	46	Normal	Warm/Cold
Sheets/Towels	46	Normal	Warm/Cold
Darks/Colors	42	Normal	Cool/Cold
Delicate/Handwash	35	Light	Cool/Cold
Rinse & Spin	20	Not applicable	Cold/Cold
Drain & Spin	10	Not applicable	Not applicable
Clean Washer	60	Not applicable	Not applicable

* Cycle time in minutes will appear in the display while you are making selections. The total cycle time will appear, including an estimated time for drain and fill times, once Start is pressed.

NOTE: Load only to the top of the basket. Overloading can cause poor cleaning. See "Starting Your Washer."

Whitest Whites

This cycle introduces liquid chlorine bleach to the load at the proper time for improved whitening of your heavily soiled white fabrics. Cycle combines high-speed wash action and high-speed spin. The default option setting for this cycle is 2nd Rinse to thoroughly remove detergent and bleach. For maximum soil and stain removal, liquid chlorine bleach should be used.

Heavy Duty

Use this cycle for heavily soiled cotton or sturdy items. Cycle combines high-speed wash action and high-speed spin. StainTreat is the default option for this cycle, but it may be turned off. See “Changing Cycles, Modifiers and Options.”

Normal

Use this cycle for normally soiled cottons and mixed fabric loads. Cycle combines high-speed wash action and high-speed spin.

Casual/Wrinkle Free

Use this cycle to wash loads of no-iron fabrics such as sport shirts, blouses, casual business clothes, permanent press and blends. This cycle uses medium-speed wash action, a medium-speed spin and a cool down process to reduce wrinkling.

Express Wash

Use this cycle to wash a few lightly soiled items that are needed in a hurry. This short cycle combines high-speed wash action and high-speed spin for the best cleaning and shortened dry times.

Bulky/Bedding

This cycle is designed for oversized items that do not easily absorb water, such as comforters, pillows and poly-filled jackets. This cycle gently washes these nonabsorbent items in a preset water level to avoid damage. This cycle starts with a soak to thoroughly saturate your large item. This is followed by medium wash action and medium spin speeds to maintain load balance.

NOTE: Due to the preset water level, using this cycle for items other than those described above will create an unbalanced load.

Sheets/Towels

Use this cycle for sheets, pillowcases and towels. The wash action of this cycle is designed to keep large items from tangling and balling up.

IMPORTANT: For best performance, drop items in loose heaps evenly around the basket wall. Do not load items directly on the impeller for this cycle.

Darks/Colors

Use this cycle for dark or highly dyed natural fabrics such as jeans or other cotton items that may be susceptible to dye loss. This cycle uses low to medium-speed wash action and high-speed spin. For best results use cold or warm water.

Delicate/Handwash

Use this cycle to wash lightly soiled special care garments or for items labeled as “Machine Washable Wool or Silk.” (Check label instructions to make sure that the garment is washable.) This cycle uses intermittent-low speed wash action and low-speed spin for the gentlest fabric care with less wrinkling.

Garments are labeled “Handwash” because:

- The fiber construction may be sensitive to wash action.
- The fabric contains sensitive dyes that may bleed.

NOTE: Some “Handwash” items naturally shrink when washed. Keep this in mind when you purchase items labeled “Handwash.” Items that shrink should be dried flat. When these items are still wet, “block” them by gently stretching to the original measurements.

Rinse/Drain & Spin

The Rinse & Spin and Drain & Spin cycles are selected with the same button.



Rinse/Drain & Spin

Rinse & Spin

This option performs a rinse only followed by a high-speed spin. The time display will include an estimate of how long it will take to fill and drain the washer.

When to use Rinse & Spin:

- For loads that need rinsing only.
- For completing a cycle after the power has been off.

To use Rinse & Spin setting:

1. Press RINSE/DRAIN & SPIN button once. The Rinse & Spin indicator light, along with the Spin Speed, Water Temperature and 2nd Rinse lights will glow. You may change the Spin Speed and Water Temperature modifiers only.

NOTE: A Rinse & Spin cycle time of approximately 20 minutes will appear in the Estimated Time Remaining display.

2. Press START.

Drain & Spin

An extra drain and spin may help shorten drying times for some heavy fabrics or special-care items. Drain & Spin may also be used for draining the washer after canceling a cycle or completing a cycle after a power failure.

To use Drain & Spin setting:

1. Press RINSE/DRAIN & SPIN button once. The Rinse & Spin indicator light, along with the Spin Speed, Water Temperature and 2nd Rinse lights will glow. You may change the Spin Speed modifier only.

2. Press 2nd RINSE to de-select Rinse & Spin. The 2nd Rinse and Water Temperature lights will shut off to indicate that a Drain & Spin cycle has been selected.

NOTE: A Drain & Spin time of approximately 10 minutes will appear in the Estimated Time Remaining display.

3. Press START.

IMPORTANT: Water will dispense in the washer for a moment, the lid will unlock, lock again, and then the Drain & Spin cycle will continue. This is normal.

Clean Washer

Use the Clean Washer cycle once a month to keep the inside of your washer fresh and clean. This cycle uses a higher water level in combination with liquid chlorine bleach to thoroughly clean the inside of your washing machine. See “Cleaning Your Washer.”



Clean Washer
USE BLEACH ONLY

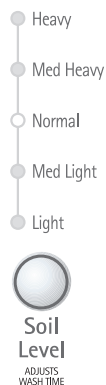
IMPORTANT: Do not add detergent to this cleaning cycle. Use only liquid chlorine bleach. Do not place garments or other items in the washer during the Clean Washer cycle. Use this cycle with an empty wash tub.

Modifiers

Modifiers allow you to further customize your cycles and save energy.

Soil Level (Wash Time)

Soil level is preset for each cycle. See “Preset Cycle Settings” in “Cycles.” As you press the Soil Level pad, the cycle time (minutes) will increase or decrease in the Estimated Time Remaining display. To get the minimum wash time, press the pad until the indicator light next to Light illuminates. This is the shortest wash time available for that cycle.



- For most loads, use the time recommended in the preset cycle settings.
- For heavy soil and sturdy fabrics, press Soil Level to select more wash time, if needed.
- For light soil and delicate fabrics, press Soil Level to select less wash time, if needed.

Spin Speed

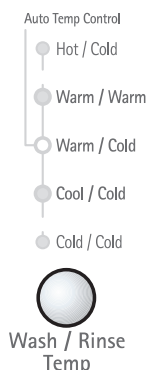
This washer automatically selects the spin speed based on the cycle selected. The preset speeds can be changed. Spin speeds may vary by cycle.



Wash/Rinse Temp

Select a water temperature based on the type of load you are washing. Use the warmest wash water safe for fabrics. Follow garment label instructions.

Warm rinses leave the loads drier and more comfortable to handle. However, warm rinses may increase wrinkling. Cold rinses may help with wrinkling and save energy.



Temperature Guide

Wash Water Temperature	Suggested Fabrics
Hot	Whites and pastels
Warm	Bright colors
Cold	Darker colors that bleed or fade

NOTE: In wash water temperatures colder than 60°F (15.6°C), detergents do not dissolve well. Soils may be difficult to remove.

Auto Temp Control

Auto Temp Control (ATC) electronically senses and maintains a uniform wash and rinse water temperature. ATC regulates incoming hot and cold water. The ATC is automatically turned On when a cycle is selected. (See “Preset Cycle Settings” in “Cycles.”)

ATC is available with Warm/Warm, Warm/Cold and Cool/Cold settings. The water temperature in the Hot/Cold and Cold/Cold settings depend on the water temperature at the water inlet faucets.

- ATC ensures consistent cleaning.
- Heated water consumes the largest amount of energy that a washer uses.
- Today’s detergents work well at temperatures above 60°F (15.6°C).

Delay Start

You can use the Delay Start feature to delay the start of a wash cycle for up to 13 hours (depending on your model).

1. Load the washer and fill the dispensers.
2. Close the washer lid.
3. Press POWER.
4. Select the desired Cycle, Modifiers and Options.
5. Press DELAY START. 1H (one hour) will be displayed in the time display window. The indicator light for Delay Start will flash.



6. For a longer delay time, press Delay Start. The Start time will increase by 1-hour steps.
7. Press START. The countdown to the wash cycle will show in the time display window, and the Delay Start indicator light will glow.

NOTE: You must press Start to initiate a countdown for the cycle to begin.

To change the Delay Start time:

- Press STOP.
- Press DELAY START to select the desired delay time.
- Press START to begin the countdown.

To cancel Delay Start:

Press START again to begin the cycle right away, or press STOP twice to cancel the cycle.

Options

Use these pads to select the desired options for your wash cycle.

OPTIONS

- Save Energy Plus
 - 2nd Rinse
 - Stain Treat
 - Auto Soak
 - Prewash
 - Loud
 - Soft
- Cycle Signal Volume

Save Energy Plus

The Save Energy Plus option reduces wash and rinse water temperatures to save energy while adding about 5 minutes of wash time to maintain performance. This option must be selected prior to the start of the cycle. The Save Energy Plus option is available in only the Heavy Duty and Whitest Whites cycles.

2nd Rinse

A 2nd rinse can be used to aid in the removal of detergent or bleach residue from garments. This option provides an additional rinse with the same water temperature as the first rinse. This is the default rinse setting for the Whitest Whites cycle. Fabric softener will be dispensed during the 2nd Rinse.

Stain Treat (Catalyst® Cleaning Action)

This option provides enhanced cleaning action for tough stains. The Heavy Duty cycle automatically includes Stain Treat. Choosing Stain Treat will add approximately 5 minutes to a cycle. Stain Treat should be started on a dry load only and should not be selected after the tub has started filling with water.

Stain Treat may be selected as an option with other cycles. See table for details.

Cycle	Stain Treat (Adds time to the wash cycle)
Whitest Whites	Option
Heavy Duty	Default
Normal	Option
Casual/Wrinkle Free	Option
Express Wash	Option
Bulky/Bedding	Not available
Sheets/Towels	Not available
Darks/Colors	Option
Delicate/Handwash	Option

Auto Soak/Prewash

Use these options for set-in stains and soils that need extra time for removal. Press the Option button for Auto Soak/Prewash until your desired choice is lighted.

- When Auto Soak is selected, the washer saturates the load with water and detergent then pauses to allow the detergent to work on soils. The pause is followed by a slow-speed spin. The washer pauses and spins six times before advancing to the desired wash cycle. Auto Soak adds approximately 12 minutes to the wash cycle.
- When Prewash is selected, the washer fills to the desired water level. It then alternates between 1 minute of wash action and a 1-minute pause period three consecutive times with an extended pause to end the cycle. When Prewash is complete, the washer advances to the selected wash cycle. The Prewash option extends your wash time by approximately 11 minutes.

Cycle Signal Volume

The End of Cycle Signal produces an audible sound when the wash cycle is finished. This signal is helpful when you are removing items from the washer as soon as it stops. Select Loud or Soft. The End of Cycle Signal is off when neither option is lit.

Operating Controls

Start

Press START to start your washer after a cycle has been selected. Be sure all desired Modifiers and Options have been selected. The lid must be closed for the washer to start.



Stop

Press STOP once to pause or stop the washer at any time. Press START to continue the cycle. Press STOP twice to turn off the washer. Press STOP once to unlock the lid and add a garment.



Power

Press POWER to turn the washer on or off. The washer shuts off automatically after 5 minutes following the completion of a cycle.



Normal Sounds

Your new washer may make sounds your old one didn't. Because the sounds might be unfamiliar, you may be concerned about them. These sounds may be normal.

During washing

If you select the Stain Treat option, you will hear a spin/spray noise at the start of the cycle.

During drain

If water is drained quickly from your washer (depending on your installation), you may hear air being pulled through the pump during the end of draining.

During wash and spin

This washer does not have a transmission. The motor provides direct drive for wash and spin. You will hear sounds that are different from those of a conventional washer.

LAUNDRY TIPS

Preparing clothes for washing

Follow these recommendations to help you prolong the life of your garments.

- Always use High Efficiency (HE) detergent. The package for this type of detergent will be marked "HE" or "High Efficiency." This wash system, along with less water, will create too much sudsing with a regular non-HE detergent. Using regular detergent will likely result in washer errors, longer cycle times and reduced rinsing performance. It may also result in component failures and noticeable mold or mildew. HE detergents such as TIDE® HE are made to produce the right amount of suds for the best performance. Follow the detergent manufacturer's instructions to determine the amount of detergent to use.



- Close zippers, snaps, and hooks to avoid snagging other items. Remove pins, buckles, and other hard objects to avoid scratching the washer interior. Remove non-washable trim and ornaments.
- Empty pockets and turn them inside-out.
- Turn down cuffs; brush away lint and dirt.
- Turn synthetic knits inside-out to avoid pilling.
- Tie strings and sashes so they will not tangle.

- Mend tears, loose hems, and seams.
- Treat spots and stains.
- Stained or wet garments should be washed promptly for best results.

Sorting

- Separate heavily soiled items from lightly soiled ones, even if they would normally be washed together. Separate lint-givers (towels, chenille) from lint-takers (corduroy, synthetics, permanent press). When possible, turn lint-givers inside-out.
- Separate dark colors from light colors, colorfast items from noncolorfast items.
- Sort by fabric and construction (sturdy cottons, knits, delicate items).
- Separate bulky, nonabsorbent items such as comforters, pillows and poly-filled jackets. Use the Bulky/Bedding cycle for these items.
- Separate sheets, pillowcases and towels and use the Sheets/Towels cycle for these items. For best performance, drop items in loose heaps evenly around the basket wall and do not load items directly on the impeller for this cycle.

Unloading

- Remove clothes from washer after the cycle is completed. Metal objects such as zippers, snaps, and buckles may rust if left in the washer basket for a long time.

WASHER CARE

Cleaning Your Washer

Washer Maintenance Procedure

This washer has a special cycle that uses higher water volumes in combination with liquid chlorine bleach to thoroughly clean the inside of the washing machine.

NOTES:

- Read these instructions completely before beginning the cleaning process.
- It is recommended that you allow the cleanout cycle to complete without interruptions. If necessary, the cleanout cycle may be interrupted by pressing the Power button once or the Stop button twice.

IMPORTANT: If the cleanout cycle is interrupted, run a Rinse & Spin cycle to ensure that all remaining bleach is rinsed from the washer.

Begin procedure

1. Open the washer lid and remove any items from the washer.
2. Add liquid chlorine bleach to the bleach dispenser.
 - Add 1 cup (236.6 mL) liquid chlorine bleach to the bleach dispenser.

NOTE: Do not add any detergent to this cleaning cycle. Use of more than 1 cup (236.6 mL) of bleach will cause product damage over time.
3. Close the lid.

4. Press POWER.
5. Press CLEAN WASHER.
 - The Estimated Time Remaining display will show approximately 60 minutes.
6. Press START.
 - The cycle will begin and water will dispense in the washer for a moment and pause, then the lid will lock and the cycle will continue.
 - Once the cleaning cycle has begun, allow the cycle to complete. An estimated cycle time will appear on the display.
 - If the procedure does not sufficiently improve the machine freshness, evaluate your installation and usage conditions for other causes.

Always do the following to maintain washer freshness

- Use only High Efficiency (HE) detergent.

Cleaning the exterior

Use a soft damp cloth or sponge to wipe up any spills. Occasionally wipe the outside of your washer to keep it looking new. Use mild soap and water. Do not use abrasive products.

Water Inlet Hoses

Replace inlet hoses after 5 years of use to reduce the risk of hose failure. Periodically inspect and replace inlet hoses if bulges, kinks, cuts, wear or leaks are found.

When replacing your inlet hoses, mark the date of replacement on the label with a permanent marker.

Vacation, Storage and Moving Care

Install and store your washer where it will not freeze. Because some water may stay in the hoses, freezing can damage your washer. If storing or moving your washer during freezing weather, winterize it.

Non-use or vacation care:

Operate your washer only when you are at home. If you will be on vacation or not using your washer for an extended period of time, you should:

- Unplug washer or disconnect power.
- Turn off the water supply to the washer. This helps avoid accidental flooding (due to a water pressure surge) while you are away.

To winterize washer:

1. Shut off both water faucets.
2. Disconnect and drain water inlet hoses.
3. Put 1 qt (1 L) of R.V.-type antifreeze in the basket.
4. Run washer on the Rinse & Spin setting for about 30 seconds to mix the antifreeze and remaining water.
5. Unplug washer or disconnect power.

To use washer again:

1. Flush water pipes and hoses. Reconnect water inlet hoses. Turn on both water faucets.

⚠ WARNING



Electrical Shock Hazard

Plug into a grounded 3 prong outlet.

Do not remove ground prong.

Do not use an adapter.

Do not use an extension cord.

Failure to follow these instructions can result in death, fire, or electrical shock.

2. Plug in washer or reconnect power.
3. Run the washer through the Bulky/Bedding cycle without clothes, using ½ the normal recommended amount of detergent to clean out the antifreeze.

To transport the washer:

1. Shut off both water faucets.
2. Disconnect and drain water inlet hoses.
3. If the washer will be moved during freezing weather, put 1 qt (1 L) of R.V.-type antifreeze in the basket. Run washer on the Rinse & Spin setting for about 30 seconds to mix the antifreeze and remaining water.
4. Disconnect the drain from the drain system.
5. Unplug the power cord.
6. Place the inlet hoses into the basket.
7. Drape the power cord and drain hose over edge into the basket.
8. Place foam packing ring from the original shipping materials in the top of washer. If you do not have the original foam packing ring, place heavy blankets, towels, etc. into basket opening. Close the lid and put a piece of tape over the lid and down to the front of the washer.

Reinstalling the washer

1. Follow the "Installation Instructions" to locate, level and connect the washer.
2. Run the washer through the Bulky/Bedding cycle without clothes, using ½ the normal recommended amount of detergent to clean out the antifreeze, if used.

TROUBLESHOOTING

First try the solutions suggested here and possibly avoid the cost of a service call...

Washer and Components

Washer displaying code messages

- **LF “LF” (Washer is taking too long to fill)**
Check the following:
Are the water inlet hoses kinked or clogged?
Are the water inlet valve screens clear?
Press STOP to clear display.
- **Ld “Ld” (Washer is taking too long to drain water from the wash tub)**
Check the following:
Is the drain hose kinked or clogged?
Is the drain hose installed properly? See “Connect the Drain Hose.” Press STOP to clear display.
- **uL “uL” (Unbalanced Load)**
If the load is unbalanced, the washer will display this code while running an imbalanced load correction routine at the end of the wash cycle and before the final spin. If the code remains and the wash cycle dial is flashing after the recovery routine has stopped, open lid and redistribute the load. Close lid and press START.
- **oL “oL” (Over Load)**
Is the washer overloaded? The washer has attempted to fill and begin the wash cycle. If the washer is overloaded, it will drain any water and detergent that was added during the fill. To correct the overload, remove several items and add detergent. Close lid and press START.
- **Sd “Sd” (Suds Detected)**
Did you use regular detergent?
Regular or hand-washing detergents are not recommended for this washer. Use only High Efficiency (“HE”) detergent.



Did you add too much detergent?

Always measure detergent. Follow detergent manufacturer's directions.

If excessive suds are detected, the washer will display this code while running a suds reduction correction routine at the end of the wash cycle. The suds reduction routine removes extra suds and assures proper rinsing of your garments. If the code remains and the wash cycle dial is flashing after the recovery routine has stopped, re-select your desired cycle using cold water. Press START. Do not add detergent.

- **ld “ld” (Lid Opened)**
Is the lid open? Close the lid to clear the display. If the lid remains open for more than 10 minutes, water in the wash tub will drain.
- **HC “HC” (Cold and Hot hoses switched)**
This code will appear at the end of the wash cycle to indicate that the cold and hot water inlet hoses are switched. See “Connect the Inlet Hoses.”
- **dL “dL” (Door/Lid cannot lock)**
Indicates lid is not locked. Check for items caught in the lid keeping it from closing. Press STOP once to clear the code.

- **dU “dU” (Door/Lid cannot unlock)**
Is there excessive weight on the lid, such as a basket of laundry? Excessive weight will keep the lid from unlocking. Press STOP once to clear the code.
- **F## “F##” code**
Press STOP once to clear code. Press START. If code appears again, call for service.

Noisy, vibrating, off-balance

- **Is the washer level? Does the washer rock when pushed against the corners?**
The washer must be level. The front and rear feet must be in firm contact with the floor. Check that the locknuts are tightened. See “Level the Washer.”
- **Is the floor flexing, sagging or not level?**
Flooring that flexes or is uneven can contribute to noise and vibration of the washer. A ¾" (1.9 cm) piece of plywood under the washer will reduce the sounds. See “Location Requirements.”
- **Is the load balanced?**
Evenly distribute the load in the washer basket and make sure the height of the load does not exceed the top row of basket holes. See “Starting Your Washer.”
- **Do you hear clicking or other noises when the cycle changes from washing to draining or spinning?**
When the drive system shifts or the washer basket settles between cycles you may hear noises that are different from your previous washer. These are normal washer noises.
- **Is the washer gurgling or humming?**
When the washer drains, the pump will make a continuous humming with periodic gurgling or surging sounds as the final amounts of water are removed. This is normal.
- **Are you washing a small load?**
You will hear more splashing sounds when washing small loads. This is normal.
- **The washer basket moves while washing.**
This is normal.
- **Can you hear water spraying?** This is part of the wash action.
- **Are you washing items with metal snaps, buckles or zippers?**
You may hear metal items touching the basket. This is normal.
- **Did you select the Bulky/Bedding cycle?**
Use the Bulky/Bedding cycle only for oversized, nonabsorbent items such as comforters, pillows or poly-filled jackets. Other items will create an unbalanced load in this cycle.

Washer leaks

- **Are the fill hoses tight?**
- **Are the fill hose washers properly seated?**
Check both ends of each hose. See “Connect the Inlet Hoses.”
- **Did you pull the drain hose from the washer cabinet and install it in a standpipe or laundry tub?**
The drain hose should be pulled from the washer cabinet and secured to the drainpipe or laundry tub. See “Connect Drain Hose” and “Secure the Drain Hose.”
- **Is the sink or drain clogged?**
Sink and drainpipe must be able to carry away 17 gal. (64 L) of water per minute. If sink or drainpipe is clogged or slow, water can back up out of drainpipe or sink.
- **Is water splashing off the tub ring or the load?**
The wash load should be balanced and not overloaded. If the wash load is unbalanced or overloaded, incoming water can deflect off the load.
- **Is the washer properly installed?**
The washer must be level. The feet should be properly installed and the nuts tightened. See “Level the Washer.”
- **Was the cycle interrupted and then the Stain Treat option selected?**
The Stain Treat option should be started on a dry load only. The Stain Treat option should not be selected after the tub has started filling with water.
- **Did you select Stain Treat option and use a hand-washing detergent?**
Regular or hand-washing detergents are not recommended for this washer. Use only High Efficiency (“HE”) detergent.



- **Check household plumbing (laundry tubs, faucets, drainpipe, water pipes) for leaks.**

Dispenser operation

- **Are the laundry additives in the correct dispensers?**
Add the correct amounts of detergent (powdered or liquid), liquid chlorine bleach, or fabric softener to the correct dispenser. You can add powdered or liquid color-safe bleach to the detergent dispenser. Be sure to match powdered color-safe bleach with powdered detergent or match liquid color-safe bleach with liquid detergent. Use only liquid chlorine bleach in the bleach dispenser.
- **Is there water remaining in the bottom of a dispenser? Did the dispenser drain properly?**
A small amount of water may be left in a dispenser at the end of the cycle. This is normal.

Washer Operation

⚠ WARNING



Electrical Shock Hazard

Plug into a grounded 3 prong outlet.

Do not remove ground prong.

Do not use an adapter.

Do not use an extension cord.

Failure to follow these instructions can result in death, fire, or electrical shock.

Washer won't fill, rinse or agitate; washer stops

- **Is the power cord plugged into a grounded 3 prong outlet?**
Plug power cord into a grounded 3 prong outlet.
- **Are you using an extension cord?**
Do not use an extension cord.
- **Is there power at the plug?**
Check electrical source or call electrician.
- **Is the indicator on the Cycle control knob properly lined up with a cycle?**
Turn the Cycle control knob to the right slightly.
- **Are the water inlet valve screens clogged?**
Turn off the water and remove inlet hoses from the washer. Remove any accumulated film or particles. Reinstall hoses, turn on water and check for leaks.
- **Are the hot and cold water faucets turned on?**
Turn on the water.
- **Is the water inlet hose kinked?**
Straighten the hoses.
- **Does the water level seem too low, or does the washer appear to not fill completely?**
The Auto Water Level feature senses the size of the load and adds the correct amount of water for the load size. You may notice during a cycle that the wash load is not completely submerged in water. This is normal and necessary for clothes to move.
- **Has a household fuse blown, or has a circuit breaker tripped?**
Replace the fuse or reset the circuit breaker. If the problem continues, call an electrician.
- **Is the washer in a normal pause in the cycle?**
The washer may pause during certain cycles. Allow the cycle to continue.
- **Is the washer overloaded?**
Wash smaller loads. See “Starting Your Washer” for maximum load size.

- **Is there oversudsing?**
Cancel the current cycle. Press RINSE/DRAIN & SPIN to drain the load. Re-select your desired cycle and press START. Do not add detergent. Use cold water.
- **Is the lid open?**
The lid must be closed during operation. The washer will not operate with the lid open.
- **Did you add more items to the load once the washer started?**
Once the load is wet, there may appear to be space for more items. Do not add more than 1 or 2 garments after the cycle has started. For best results determine load size with dry items only.

Washer continues to fill or drain, or the cycle seems stuck

- **Is the top of drain hose lower than the control knobs on washer?**
The top of the drain hose must be at least 39" (99 cm) above the floor. See "Drain System."
- **Does the drain hose fit too tightly in the standpipe, or is it taped to the standpipe?**
The drain hose should be loose yet fit securely. Do not seal the drain hose with tape. The hose needs an air gap. See "Installation Instructions."

Washer won't drain or spin; water remains in washer

- **Is the drain hose clogged, or the end of the drain hose more than 96" (244 cm) above the floor?**
See "Drain System."
- **Is the lid open?**
The lid must be closed during operation. The washer will not operate with the lid open.
- **Is there excessive sudsing?**
Always measure detergent. Follow detergent manufacturer's directions. If you have very soft water, you may need to use less detergent. Use only High Efficiency ("HE") detergent.



Wash/Rinse temperature

- **Are the hot and cold water inlet hoses reversed?**
If the hot and cold water inlet hoses are reversed, the washer will display an "HC" error code at the end of the cycle. See "Connect the Inlet Hoses."
- **Are you washing many loads?**
As your frequency of loads washed increases, the water temperature may decrease for hot and warm temperatures. This is normal.
- **Did you select Save Energy Plus?**
The Save Energy Plus option reduces wash and rinse water temperatures to save energy. This option must be selected prior to the start of the cycle. Save Energy Plus is only available in the Heavy Duty and Whitest Whites cycles.
- **Do you have an ENERGY STAR washer?**
The wash water temperatures may feel cooler to you than those of your previous washer. This is normal.

- **Does the wash water temperature feel lower than usual?**
As washing progresses, the wash temperature will decrease slightly for hot and warm washes. This is normal.
To reduce wrinkling, the warm rinse is regulated to be cooler than the warm wash.

Excessive sudsing

- **Did you use a non-HE detergent?**
Regular or hand-washing detergents are not recommended for this washer. Use only High Efficiency ("HE") detergent.



- **Is there excessive sudsing?**
Always measure detergent. Follow detergent manufacturer's directions. If you have very soft water, you might need to use less detergent.
- **Was the cycle interrupted and then the Stain Treat option selected?**
The Stain Treat option should be started on a dry load only. The Stain Treat option should not be selected after the tub has started filling with water.

Cycle did not run Stain Treat option

- **Did you select the Stain Treat option?**
The Stain Treat option must be selected for it to be included in a wash cycle. The Stain Treat option should be started on a dry load only. Stain Treat should not be selected after the tub has started filling with water.
- The Stain Treat option is a default in the Heavy Duty cycle and may be added to other cycles.

Clothing Care

Load too wet

- **Did you use the right cycle for the load being washed?**
Select a higher spin speed.
- **Did you use a cold rinse?**
Cold rinses leave loads wetter than warm rinses. This is normal.
- **Did you wash an extra large load?**
A large unbalanced load could result in a reduced spin speed and wet clothes at the end of the cycle. Evenly distribute the load and make sure the height of the load does not exceed the top row of basket holes.

Residue or lint on load

- **Did you add detergent to the dispenser?**
For best results, use the dispenser to dissolve the detergent.
- **Did you sort properly?**
Sort lint givers (towels, chenille) from lint takers (corduroy, synthetics). Also sort by color.

- **Did you overload the washer?**
The wash load must be balanced and not overloaded. Clothes should move freely. Lint or powdered detergent can be trapped in the load if overloaded. Wash smaller loads. See “Starting Your Washer” for maximum load size.
- **Did you use enough detergent?**
Follow detergent manufacturer’s directions. Use enough detergent to hold the lint in the water.
- **Did you line dry your clothing?**
If so, you can expect some lint on the clothing. The air movement and tumbling of a dryer removes lint from the load.
- **Was paper or tissue left in pockets?**
- **Is your water colder than 60°F (15.6°C)?**
Wash water colder than 60°F (15.6°C) may not completely dissolve the detergent.
- **Did you use the proper Soil Level and Wash Cycle for the load?**
Reducing wash time (duration) and wash speed are ways to reduce lint.
- **Did you add detergent to the dispenser?**
For best results, use the dispenser to dissolve the detergent.

Load is wrinkled, twisted or tangled

- **Did you unload the washer promptly?**
Unload the washer as soon as it stops.
- **Did you use the right cycle for the load being washed?**
To reduce wrinkling, tangling and twisting, select a cycle with low wash and spin speeds, such as Delicate/Handwash or Casual/Wrinkle Free.
- **Did you overload the washer?**
The wash load must be balanced and not overloaded. Loads should move freely during washing to reduce wrinkling, tangling and twisting.
- **Was the wash water warm enough to relax wrinkles?**
If safe for the load, use warm or hot wash water. Use cold rinse water.
- **Are the hot and cold water hoses reversed?**
Check that the hot and cold water hoses are connected to the correct faucets. If the hot and cold water inlet hoses are reversed, the washer will display an “HC” error code at the end of the cycle. See “Connect the Inlet Hoses.” A hot rinse followed by spin will cause wrinkling.

Stains, gray whites, dingy colors

- **Did you properly sort the load?**
Dye transfer can occur when mixing whites and colors in a load. Sort dark clothes from whites and lights.
- **Was the wash temperature too low?**
Use hot or warm washes if safe for the load. Make sure your hot water system is adequate to provide a hot water wash.

- **Did you use enough detergent, or do you have hard water?**
Use more detergent for washing heavy soils in cold or hard water. Water temperature should be at least 60°F (15.6°C) for soap to dissolve and work properly. For best performance, use the detergent manufacturer’s recommended amounts.
- **Did you follow the manufacturer’s directions when adding detergent and fabric softener?**
Measure detergent and fabric softener. Use enough detergent to remove soil and hold it in suspension. Dilute fabric softener and add to the rinse portion of a cycle only. Do not drip fabric softener onto clothes.
- **Is there above average iron (rust) in water?**
You may need to install an iron filter.
- **Did you add detergent to the dispenser?**
For best results, use the dispenser to dissolve the detergent.
- **Did you add fabric softener directly to the load?**
Use your fabric softener dispenser. Do not drip fabric softener onto clothes.
- **Did you use a fabric softener dispensing ball?**
Use the fabric softener dispenser provided with the washer. Dispensing balls will not operate correctly with this washer.
- **Did you unload the washer promptly?**
To avoid dye transfer, unload the washer as soon as it stops.
- **Did you add detergent, chlorine bleach or fabric softener too late in the cycle?**
Detergent, chlorine bleach, and fabric softener should be added to the dispensers before starting the washer.
- **Did you use Express Wash on a large load?**
Express Wash is designed to wash only a few items for best results.

Garments damaged

- **Were sharp items removed from pockets before washing?**
Empty pockets, zip zippers, snap or hook fasteners before washing to avoid snagging and tearing of load.
- **Were strings and sashes tied to avoid tangling?**
Straps and strings can easily become entangled in the load, causing strain on seams and tearing.
- **Were items damaged before washing?**
Mend rips and broken threads in seams before washing.
- **Did you overload the washer?**
The wash load must be balanced and not overloaded. Loads should move freely during washing.
- **Did you add chlorine bleach properly?**
Do not pour chlorine bleach directly onto load. Wipe up bleach spills. Undiluted bleach will damage fabrics. Do not place load items on top of the bleach dispenser when loading and unloading the washer (on some models). Do not use more than the manufacturer’s recommended amount for a full load.
- **Did you follow the garment manufacturer’s care label instructions?**

ÍNDICE

CONTRATOS DE PROTECCIÓN	25
En los EE.UU.	25
En Canadá.....	26
GARANTÍA	26
SEGURIDAD DE LA LAVADORA	27
REQUISITOS DE INSTALACIÓN	28
Piezas y herramientas.....	28
Requisitos de ubicación	29
Sistema de desagüe	29
Requisitos eléctricos.....	30
INSTRUCCIONES DE INSTALACIÓN	31
Antes de comenzar	31
Quite la base y el anillo de embalaje	31
Conecte la manguera de desagüe	31
Conexión de las mangueras de entrada	32
Fijación de la manguera de desagüe.....	33
Nivelación de la lavadora.....	33
Complete la instalación	34
BENEFICIOS Y CARACTERÍSTICAS	35
USO DE LA LAVADORA	36
Puesta en marcha de la lavadora	36
Uso del detergente adecuado	36
Pausa o reanudación de la marcha de la lavadora	37
Cómo detener la lavadora	37
Cambio de ciclos, modificadores y opciones	37
Luces de estado	38
Ciclos	38
Modificadores	40
Opciones	42
Controles de funcionamiento	43
Sonidos normales	43
CONSEJOS DE LAVANDERÍA	43
CUIDADO DE LA LAVADORA	44
Cómo limpiar su lavadora.....	44
Mangueras de admisión de agua.....	44
Cuidado durante las vacaciones, el almacenamiento y las mudanzas	44
SOLUCIÓN DE PROBLEMAS	45
NÚMEROS DE SERVICIO	CONTRAPORTADA

CONTRATOS DE PROTECCIÓN

En los EE.UU.

Contratos Maestros de Protección

¡Felicitaciones por su inteligente adquisición! Su nuevo producto Kenmore® ha sido diseñado y fabricado para brindarle años de funcionamiento confiable. Pero al igual que todos los productos, puede necesitar mantenimiento preventivo o reparación de vez en cuando. Es allí donde el Contrato Maestro de Protección puede ahorrarle dinero e inconvenientes.

Adquiera un Contrato Maestro de Protección hoy y protéjase contra molestias y gastos inesperados.

El Contrato Maestro de Protección también ayuda a prolongar la vida de su nuevo producto. He aquí lo que se incluye en el Contrato:

- ✓ **Servicio experto** por nuestros 12.000 especialistas en reparación competentes
- ✓ **Servicio ilimitado y gratuito** para repuestos y mano de obra en todas las reparaciones protegidas por el contrato
- ✓ **Garantía “sin disgustos”** - reemplazo de su producto protegido si ocurren cuatro o más fallas del producto en el transcurso de doce meses
- ✓ **Reemplazo del producto** si su producto protegido no puede ser reparado
- ✓ **Revisión Anual de Mantenimiento Preventivo** a solicitud suya - sin costo adicional
- ✓ **Ayuda rápida por teléfono** - asistencia por teléfono a cargo de un técnico de Sears para productos que deban ser reparados en su hogar, además de un horario de reparación conveniente
- ✓ **Protección de sobrevoltaje** contra daños eléctricos debido a fluctuaciones de electricidad
- ✓ **Reembolso de la renta** si la reparación de su producto protegido tarda más de lo prometido

Una vez adquirido el Contrato, tan sólo tiene que llamar para fijar la visita de servicio técnico. Usted puede llamar a cualquier hora, de día o de noche, o fijar una visita técnica en internet.

Sears cuenta con un equipo de más de 12.000 especialistas en reparación competentes, quienes tienen a disposición más de 4,5 millones de piezas y accesorios de calidad. Ése es el tipo de profesionalismo con el que usted puede contar para ayudarlo a prolongar la vida de su nuevo artefacto por muchos años más. ¡Adquiera hoy su Contrato Maestro de Protección!

Se aplican algunas limitaciones y exclusiones. Para obtener precios e información adicional, llame al 1-800-827-6655.

Servicio de Instalación de Sears

Para la instalación profesional de Sears de artefactos electrodomésticos, abridores de puertas de garaje, calentadores de agua y otros artículos importantes de la casa, en los EE.UU. llame al **1-800-4-MY-HOME®**.

En Canadá

Contratos de mantenimiento

Su compra adquiere un nuevo valor ya que usted puede confiar en Sears HomeCentral® para obtener servicio de reparación. Con más de 2.400 especialistas capacitados en reparaciones y acceso a más de un millón de piezas y accesorios, contamos con las herramientas, piezas, conocimiento y la destreza para asegurarnos de respaldar nuestra promesa de que: Reparamos lo que vendemos.

Su producto Kenmore® está diseñado, fabricado y sometido a prueba para proporcionarle años de funcionamiento confiable. No obstante, cualquier producto puede necesitar servicio técnico de vez en cuando. El contrato de mantenimiento Sears le ofrece un programa de servicio excepcional, a un precio accesible.

El contrato de mantenimiento Sears

- Es la manera de comprar el servicio técnico del mañana a precios de hoy
- Elimina las facturas de reparación producidas por el uso normal y el desgaste
- Ofrece apoyo por teléfono a cargo de un técnico de Sears para los productos que deban ser reparados en el hogar
- Aún si usted no necesita reparaciones, proporciona una revisión anual de mantenimiento preventivo a solicitud suya, para asegurarse de que su producto está en condiciones apropiadas de funcionamiento.

Se aplican ciertas restricciones. Para obtener más información referente a los Contratos de mantenimiento de Sears Canada, llame al 1-800-361-6665.

GARANTÍA DE LOS ELECTRODOMÉSTICOS KENMORE ELITE®

GARANTÍA LIMITADA DE UN AÑO

Cuando este electrodoméstico haya sido instalado, operado y mantenido según las instrucciones provistas con el producto, si este electrodoméstico falla por defectos de material o de mano de obra dentro de un año a partir de la fecha de compra, llame al 1-800-4-MY-HOME® para gestionar la reparación libre de cargo.

GARANTÍA LIMITADA DE DIEZ AÑOS EN EL TAMBOR DE ACERO INOXIDABLE Y EL TAMBOR DE PLÁSTICO

Durante diez años a partir de la fecha de compra, siempre y cuando esta lavadora haya sido instalada, operada y mantenida de conformidad con todas las instrucciones provistas con el producto, Sears reemplazará el tambor de acero inoxidable y/o tambor de plástico si tuviera defectos en los materiales o en la mano de obra. Después del primer año, el cliente asume la responsabilidad por cualquier costo de mano de obra relativa al reemplazo de estas refacciones.

Si este electrodoméstico es empleado para algún otro uso que no sea el doméstico familiar, esta garantía sólo tiene vigencia por 90 días a partir de la fecha de compra.

ESTA GARANTÍA CUBRE SOLAMENTE LOS DEFECTOS DE MATERIAL Y MANO DE OBRA. SEARS NO PAGARÁ POR LO SIGUIENTE:

1. Los artículos no reutilizables que pueden gastarse por el uso normal, incluyendo, pero sin limitación, filtros, correas, focos y bolsas.
2. Un técnico de servicio para enseñarle al usuario cómo instalar, operar o mantener el producto adecuadamente.
3. Un técnico de servicio para limpiar o mantener este producto.
4. Daños a este producto o fallas del mismo en caso de no ser instalado, operado o mantenido conforme a todas las instrucciones provistas con el producto.
5. Daños a este producto o fallas del mismo como resultado de accidente, abuso, uso indebido o un uso diferente de aquel para el cual fue creado.
6. Daños a este producto o fallas del mismo causados por el uso de detergentes, limpiadores, productos químicos o utensilios diferentes de los recomendados en todas las instrucciones provistas con el producto.
7. Daños a piezas o sistemas o fallas de los mismos como resultado de modificaciones no autorizadas que se hayan efectuado en este producto.

EXCLUSIÓN DE GARANTÍAS IMPLÍCITAS; LIMITACIÓN DE RECURSOS

El único y exclusivo recurso del cliente según los términos de esta garantía limitada será el de reparar el producto según se estipula en la presente. Las garantías implícitas, incluyendo las garantías de comerciabilidad o de capacidad para un propósito particular, serán limitadas a un año o al período más corto permitido por ley. Sears no se hará responsable por daños incidentales o consecuentes. Algunos estados y provincias no permiten la exclusión o limitación de daños incidentales o consecuentes, o limitaciones acerca de cuánto debe durar una garantía implícita de comerciabilidad o capacidad, de modo que las limitaciones o exclusiones arriba mencionadas pueden no aplicarse en su caso.

Esta garantía se aplica sólo mientras este electrodoméstico se usa en los Estados Unidos y Canadá.

Esta garantía le otorga derechos legales específicos, y es posible que usted tenga también otros derechos, los cuales varían de un estado a otro.

Sears, Roebuck and Co.
Dept. 817WA, Hoffman Estates, IL 60179
Sears Canada Inc.
Toronto, Ontario, Canada M5B 2B8

REGISTRO DEL PRODUCTO

En el espacio a continuación, anote el número completo de modelo y serie así como la fecha de compra. Usted puede encontrar esta información en la etiqueta con el número de modelo y de serie ubicada en el producto.

Tenga esta información disponible para facilitarle la obtención de asistencia o servicio con prontitud siempre que llame a Sears con respecto a su electrodoméstico.

Número de modelo _____

Número de serie _____

Fecha de compra _____

Guarde estas instrucciones y su comprobante de compra para referencia futura.

SEGURIDAD DE LA LAVADORA

Su seguridad y la seguridad de los demás es muy importante.

Hemos incluido muchos mensajes importantes de seguridad en este manual y en su electrodoméstico. Lea y obedezca siempre todos los mensajes de seguridad.



Este es el símbolo de advertencia de seguridad.

Este símbolo le llama la atención sobre peligros potenciales que pueden ocasionar la muerte o una lesión a usted y a los demás.

Todos los mensajes de seguridad irán a continuación del símbolo de advertencia de seguridad y de la palabra "PELIGRO" o "ADVERTENCIA". Estas palabras significan:

⚠ PELIGRO

Si no sigue las instrucciones de inmediato, usted puede morir o sufrir una lesión grave.

⚠ ADVERTENCIA

Si no sigue las instrucciones, usted puede morir o sufrir una lesión grave.

Todos los mensajes de seguridad le dirán el peligro potencial, le dirán cómo reducir las posibilidades de sufrir una lesión y lo que puede suceder si no se siguen las instrucciones.

INSTRUCCIONES IMPORTANTES DE SEGURIDAD

ADVERTENCIA: Para reducir el riesgo de incendio, choque eléctrico o lesiones a personas al usar su lavadora, siga las precauciones básicas, incluyendo las siguientes:

- Lea todas las instrucciones antes de usar la lavadora.
- No lave artículos que hayan sido previamente limpiados, lavados, remojados o humedecidos con gasolina, solventes para lavar en seco, u otras sustancias inflamables o explosivas ya que éstas emanan vapores que podrían encenderse o causar una explosión.
- No agregue gasolina, solventes para lavar en seco, u otras sustancias inflamables o explosivas al agua de lavado. Estas sustancias emanan vapores que podrían encenderse o causar una explosión.
- En ciertas condiciones, puede generarse gas hidrógeno en un sistema de agua caliente que no se haya usado por dos semanas o un período mayor. EL GAS HIDRÓGENO ES EXPLOSIVO. Si no se ha usado el agua caliente durante dicho período, antes de usar la lavadora, abra todos los grifos de agua caliente y deje que corra el agua por varios minutos. Esto liberará todo el gas hidrógeno que se haya acumulado. Debido a la inflamabilidad de dicho gas, no fume ni use una llama abierta durante este lapso.
- No permita que los niños jueguen encima o dentro de la lavadora. Es necesario una supervisión cuidadosa de los niños toda vez que se use la lavadora cerca de ellos.
- Antes de poner la lavadora fuera de servicio o desecharla, quítele la puerta o la tapa.
- No introduzca las manos en la lavadora si el tambor, la tina, o el agitador están funcionando.
- No instale ni almacene esta lavadora donde pudiese estar sometida a la intemperie.
- No trate de forzar los controles.
- No repare ni cambie pieza alguna de la lavadora ni intente realizar tarea alguna de servicio técnico, excepto cuando así se le indique específicamente en este manual o en instrucciones de reparación para el usuario publicadas, que usted entienda y para cuya ejecución cuente con la habilidad necesaria.
- Para obtener información respecto a los requisitos de conexión a tierra, refiérase a los "Requisitos Eléctricos".

GUARDE ESTAS INSTRUCCIONES

REQUISITOS DE INSTALACIÓN

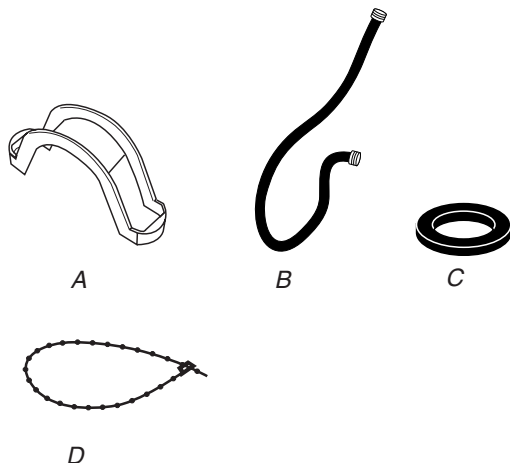
Piezas y herramientas

Reúna las herramientas y piezas necesarias antes de comenzar la instalación. Las piezas provistas están en la canasta de la lavadora.

Herramientas necesarias para la conexión de la manguera de desagüe y las mangueras de entrada del agua:

- Alicates que abren a 1 $\frac{1}{16}$ " (3,95 cm)
- Linterna (opcional)

Piezas suministradas:



- A. Molde de la manguera de desagüe
 B. Mangueras de entrada de agua (2)
 C. Arandelas planas para la manguera de desagüe (4)
 D. Fleje de atadura rebordado

Herramientas necesarias para sujetar la manguera de desagüe y nivelar la lavadora:

- Llave de tuercas ajustable o de extremo abierto de $\frac{9}{16}$ " (14 mm)
- Bloque de madera
- Regla o cinta para medir
- Nivel

Piezas alternativas

Las piezas aquí enumeradas se pueden adquirir en la tienda Sears o en el Centro de Servicio Sears de su localidad. Para obtener más información, sírvase llamar al 1-800-4-MY-HOME® (1-800-469-4663).

Si tiene:	Debe comprar:
Tina de lavandería o tubo vertical de más de 96" (2,4 m) de altura	Sistema de bomba de sumidero (si no está disponible aún)
Tubo vertical de 1" (2,5 cm) de diámetro	Un adaptador de tubo vertical de 2" (5 cm) de diámetro a 1" (2,5 cm) de diámetro, pieza número 3363920 y juego de conectores, pieza número 285835
Una alcantarilla suspendida	Tina de desagüe estándar de 20 gal. (76 L) de 39" (99 cm) de altura o lavadero utilitario, bomba de sumidero y conectores (disponible en tiendas locales de artículos de plomería)
Desagüe por el piso	Desviación de sifón, pieza número 285834; manguera de desagüe adicional, pieza número 8318155; y juego de conectores, pieza número 285835
Grifos del agua fuera del alcance de las mangueras de llenado	2 mangueras de llenado de agua más largas: 6 pies (1,8 m) pieza número 76314, 10 pies (3,0 m) pieza número 350008
Desagüe obstruido por pelusa	Protector del desagüe, pieza número 367031

Requisitos de ubicación

La selección de una ubicación apropiada para su lavadora realza el rendimiento y reduce al mínimo el ruido y la posible "caminata" de la lavadora.

Su lavadora se puede instalar en un sótano, cuarto para lavar, o un lugar empotrado. Vea "Sistema de desagüe".

IMPORTANTE: No instale o almacene esta lavadora donde estará expuesta a la intemperie.

La instalación correcta es su responsabilidad.

Usted necesitará:

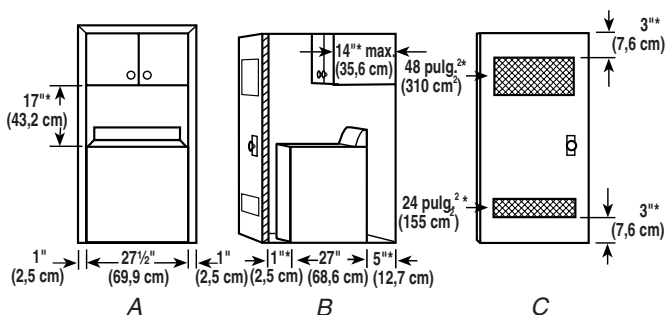
- Un calentador de agua fijado para suministrar a la lavadora el agua a 120°F (49°C).
- Un contacto eléctrico con conexión a tierra ubicado a una distancia de no más de 4 pies (1,2 m) del lugar donde el cable eléctrico está fijado a la parte posterior de la lavadora. Vea "Requisitos eléctricos".
- Los grifos de agua caliente y de agua fría ubicados a una distancia de 3 pies (90 cm) de las válvulas de llenado del agua caliente y fría y una presión de agua de 20-100 lbs/pg² (138-690 kPa) para un mejor rendimiento.
- Un piso nivelado con un declive máximo de 1" (2,5 cm) debajo de la lavadora completa. No se recomienda instalar la lavadora sobre pisos alfombrados.
- Un piso resistente que sostenga el peso de la lavadora (la lavadora, el agua y la carga) de 315 lbs (143 kgs).

No guarde ni haga funcionar su lavadora a temperaturas iguales o inferiores a 32°F (0°C). El agua que quede en la lavadora puede ocasionar daños a bajas temperaturas. Vea la sección "Cuidado de la lavadora" para saber cómo acondicionarla para el invierno.

Espacio de instalación para la instalación en un lugar empotrado o en un clóset

Se recomiendan los siguientes espacios para esta lavadora. Esta lavadora fue puesta a prueba para la instalación con un espacio de 0" (0 cm) en ambos lados. El espacio recomendado debe ser considerado por los siguientes motivos:

- Debe considerarse espacio adicional para facilitar la instalación y el servicio técnico.
- Se debe considerar agregar espacio adicional en todos los lados de la lavadora para reducir la transferencia de ruidos.
- Para la instalación en clóset, con una puerta, se requieren aberturas de ventilación mínimas en la parte superior e inferior de la puerta. Se aceptan puertas tipo persiana con aberturas de ventilación equivalentes.
- También se debe considerar espacio adicional para otro electrodoméstico que le acompañe.



A. Vista frontal
B. Vista lateral
C. Puerta de clóset con orificios de ventilación

*Espacio necesario

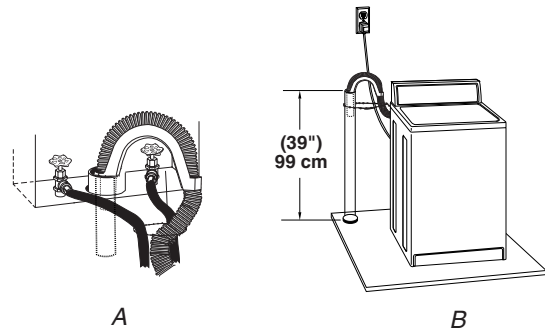
Sistema de desagüe

Se puede instalar la lavadora utilizando el sistema de desagüe por tubo vertical (en el piso o en la pared), el sistema de desagüe por el lavadero, o el sistema de desagüe por el piso. Seleccione el método de instalación de la manguera de desagüe que usted necesite. Vea "Piezas y herramientas".

Sistema de desagüe por tubo vertical – en la pared o en el piso (vistas A y B)

El desagüe por tubo vertical necesita un tubo vertical con un diámetro mínimo de 2" (5 cm). La capacidad mínima de desagüe no puede ser menor de 17 gal. (64 L) por minuto. Se dispone de un juego de adaptador para tubo vertical de 2" (5 cm) de diámetro a 1" (2,5 cm) de diámetro. Vea "Piezas y herramientas".

La parte superior del tubo vertical debe tener una altura mínima de 39" (99 cm) y máxima de 96" (244 cm) de la parte inferior de la lavadora.



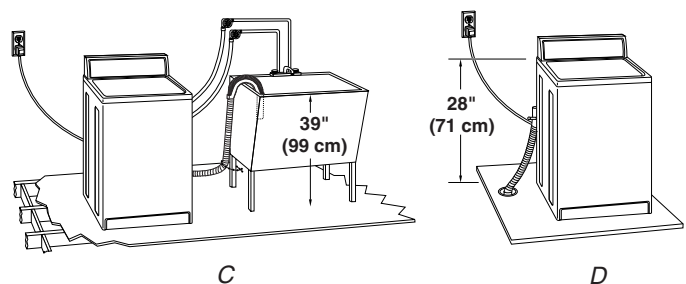
Sistema de desagüe por el lavadero (vista C)

El lavadero necesita una capacidad mínima de 20 gal. (76 L). La parte superior de la tina de lavadero debe tener una altura mínima de 39" (99 cm) y máxima de 96" (244 cm) de la parte inferior de la lavadora.

Sistema de desagüe por el piso (vista D)

El sistema de desagüe por el piso necesita una desviación del sifón que puede adquirirse por separado. Vea "Piezas y herramientas".

La desviación del sifón debe estar a una distancia mínima de 28" (71 cm) de la parte inferior de la lavadora. Se pueden necesitar mangueras adicionales.



Requisitos eléctricos

⚠ ADVERTENCIA



Peligro de Choque Eléctrico

Conecte a un contacto de pared de conexión a tierra de 3 terminales.

No quite la terminal de conexión a tierra.

No use un adaptador.

No use un cable eléctrico de extensión.

No seguir estas instrucciones puede ocasionar la muerte, incendio o choque eléctrico.

- Se requiere una fuente de alimentación eléctrica de 120 Voltios, 60-Hz. de CA únicamente, de 15 ó 20 Amperios, dotada de fusibles. Se recomienda un fusible de acción retardada o un disyuntor. Es recomendable suministrar un circuito individual exclusivamente para este electrodoméstico.
- Esta lavadora viene con un cable de alimentación con un enchufe de 3 vías para conectar a tierra.
- Para reducir la posibilidad de choques eléctricos, el cable de alimentación debe enchufarse a un tomacorriente de pared equivalente de 3 vías con conexión a tierra, de acuerdo con todos los códigos y reglamentos locales. Si no se dispone de un tomacorriente equivalente, es la responsabilidad y obligación personal del usuario ordenar a un electricista calificado la instalación de un tomacorriente apropiado, conectado a tierra.
- Si está permitido en los códigos y se utiliza un alambre a tierra separado, es recomendable que un electricista calificado determine cuál es la ruta adecuada a tierra.

- No conecte a tierra usando una tubería de gas.
- Si no está seguro que su lavadora está conectada a tierra correctamente, haga que un electricista calificado lo compruebe.
- No instale un fusible en el circuito neutral o de tierra.

INSTRUCCIONES PARA LA CONEXIÓN A TIERRA

Para una lavadora conectada a tierra con cable eléctrico:

Esta lavadora debe conectarse a tierra. En caso de funcionamiento defectuoso o avería, la conexión a tierra reducirá el riesgo de choque eléctrico al proporcionar una vía de menor resistencia para la corriente eléctrica. Esta lavadora viene equipada con un cable eléctrico que tiene un conductor de conexión a tierra del equipo y un enchufe con conexión a tierra. El enchufe debe conectarse en un contacto de pared apropiado que haya sido debidamente instalado y conectado a tierra de conformidad con todos los códigos y ordenanzas locales.

ADVERTENCIA: La conexión incorrecta de la terminal de conexión a tierra del equipo puede ocasionar un riesgo de choque eléctrico. Consulte con un electricista o técnico en reparaciones calificado si tiene duda alguna en cuanto a la conexión a tierra correcta del electrodoméstico.

No modifique el enchufe provisto con el electrodoméstico. Si éste no encaja en el contacto de pared, pida a un electricista calificado que le instale un contacto de pared apropiado.

Para una lavadora con contacto eléctrico permanente:

Esta lavadora debe conectarse a un metal puesta a tierra, un sistema con cableado permanente a tierra o conectarse a un equipo cuyo suministro incluya una terminal de tierra.

INSTRUCCIONES DE INSTALACIÓN

Antes de comenzar

⚠ ADVERTENCIA

Peligro de Peso Excesivo

Use dos o más personas para mover e instalar la lavadora.

No seguir esta instrucción puede ocasionar una lesión en la espalda u otro tipo de lesiones.

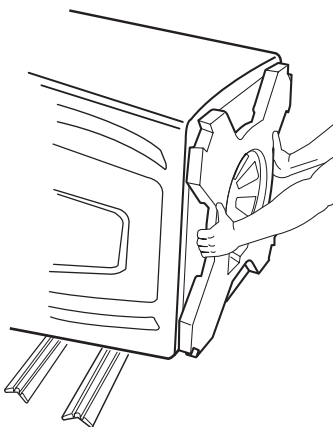
NOTA: Para evitar daños en el piso, coloque la lavadora sobre un cartón antes de moverla por el piso.

IMPORTANTE:

- Asegúrese de que se ha quitado la base de embalaje de espuma de la parte inferior de la lavadora como se indica en las instrucciones para el desempaque.
- Si no se ha quitado la base de embalaje, asegúrese de que la tapa esté ajustada antes de colocar la lavadora sobre su parte posterior.
- Para un funcionamiento adecuado es necesario quitar la base de embalaje de espuma.

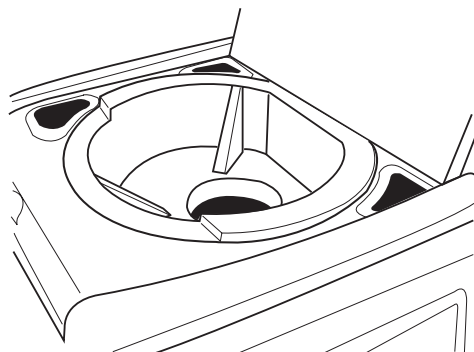
Quite la base y el anillo de embalaje

1. Coloque los soportes de cartón del embalaje sobre el piso detrás de la lavadora para soporte.
2. Con la ayuda de 2 o más personas, incline la lavadora sobre su parte posterior y colóquela sobre los soportes de cartón.
3. Quite la base de embalaje de espuma.



4. Ponga la lavadora en posición vertical.

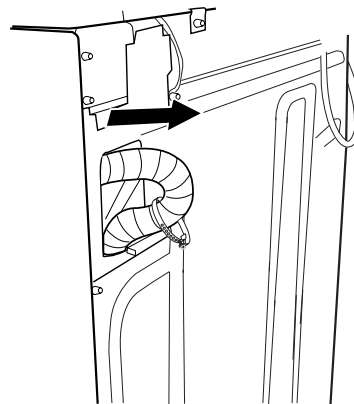
5. Saque la cinta de la tapa. Abra la tapa y saque el anillo de embalaje de espuma de la tina de la lavadora. Conserve el anillo de embalaje de espuma en caso de que necesite mover la lavadora en el futuro.



Conecte la manguera de desagüe

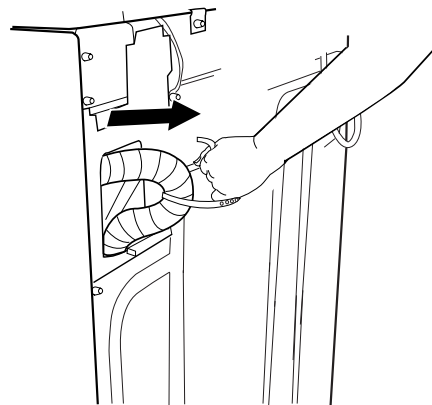
Para proteger sus pisos de los daños ocasionados por las fugas de agua, conecte correctamente la manguera de desagüe. Lea y siga estas instrucciones.

La manguera de desagüe está conectada con su lavadora y está guardada dentro del gabinete de la lavadora.



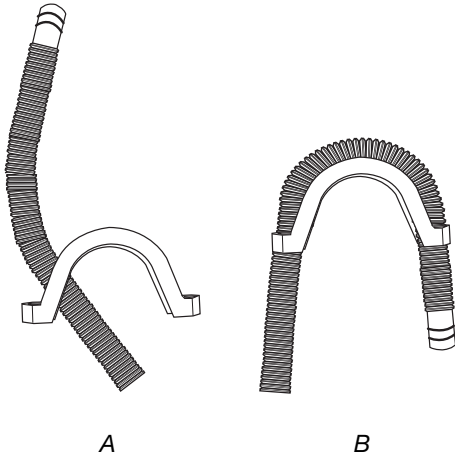
Quite la manguera de desagüe del gabinete de la lavadora

Jale la manguera de desagüe corrugada fuera de la lavadora agarrando primero la atadura. Continúe jalando la manguera hasta que aparezca su extremo final. No fuerce el exceso de la manguera de desagüe dentro de la parte posterior de la lavadora.



Desagüe por la tina de lavadero o desagüe por tubo vertical

Conexión del molde de la manguera de desagüe a la manguera de desagüe corrugada



- A. Haga pasar la manguera de desagüe dentro de un extremo del molde. Asegure la lengüeta del molde en una de las ranuras de la manguera.
- B. Doble la manguera sobre la parte superior del molde y hágala pasar por el otro extremo del molde. Asegure la lengüeta del molde en una de las ranuras de la manguera.

Para evitar que el agua de desagüe vuelva a su lavadora:

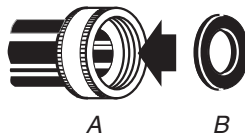
- No fuerce el exceso de la manguera de desagüe dentro del tubo vertical. La manguera debe estar asegurada pero a la vez lo suficientemente floja que permita un espacio para el aire.
- No tienda el exceso de la manguera en el fondo de la tina del lavadero.

Desagüe por el piso

No instale el molde de la manguera de desagüe a la manguera de desagüe corrugada. Quizás necesite piezas adicionales. Vea Desagüe por el piso en "Piezas y herramientas".

Conexión de las mangueras de entrada

1. Inserte nuevas arandelas planas (suministradas) en cada extremo de las mangueras de entrada. Asiente firmemente las arandelas en los acoplamientos.



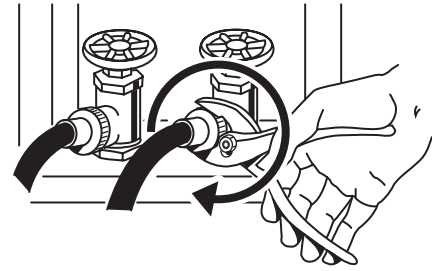
A. Acoplamiento
B. Arandela

Conecte las mangueras de entrada a los grifos de agua

Asegúrese de que la canasta de la lavadora esté vacía.

2. Conecte la manguera con la etiqueta "hot" (caliente) al grifo de agua caliente. Atornille el acoplamiento con la mano hasta que se asiente en la arandela.

3. Conecte la manguera con la etiqueta "cold" (frío) al grifo de agua fría. Atornille el acoplamiento con la mano hasta que se asiente en la arandela.
4. Apriete los acoplamientos con los alicates, girándolos dos tercios de vuelta adicional.

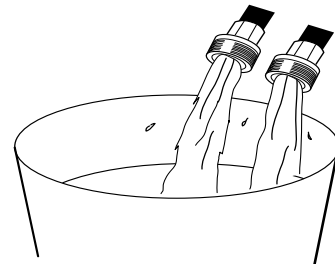


Apriete los acoplamientos dos tercios de vuelta adicional.

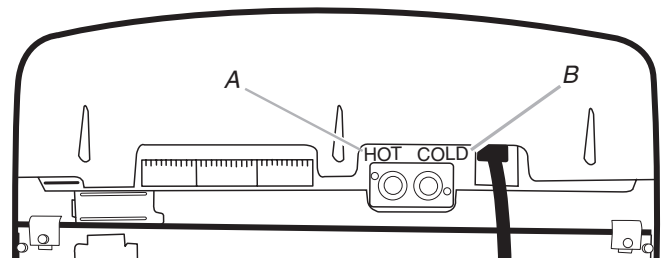
NOTA: No apriete demasiado ni use cinta o selladores en la válvula. Se pueden dañar las válvulas.

Limpie el agua de las líneas

- Deje correr el agua de los grifos y las mangueras de desagüe en un lavadero, tubo de desagüe o cubeta para eliminar las partículas que se encuentran en las tuberías del agua, las cuales podrían obstruir los filtros de la válvula de entrada.
- Verifique la temperatura del agua para asegurarse de que la manguera de agua caliente esté conectada al grifo de agua caliente y que la manguera de agua fría esté conectada al grifo de agua fría.



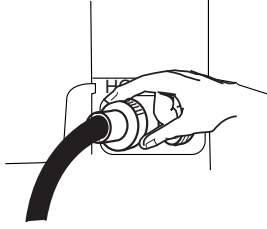
Conecte las mangueras de entrada a la lavadora



A. Válvula de entrada de agua caliente
B. Válvula de entrada de agua fría

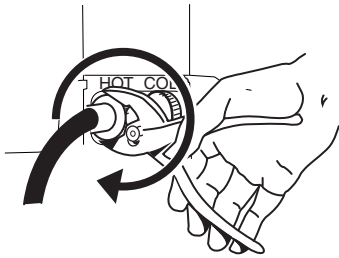
1. Afiance la manguera de agua caliente a la válvula de entrada con el rótulo de caliente.
2. Si conecta primero un acoplamiento de la manguera, le será más fácil apretar la conexión con los alicates.

3. Atornille el acoplamiento con la mano hasta que se asiente en la arandela.



4. Apriete el acoplamiento con los alicates, girándolos dos tercios de vuelta adicional.

NOTA: No apriete demasiado ni use cinta o selladores en la válvula. Se pueden dañar las válvulas.



5. Afiance la manguera de agua fría a la válvula de entrada con el rótulo de fría.
6. Atornille el acoplamiento con la mano hasta que se asiente en la arandela.
7. Apriete el acoplamiento con los alicates, girándolos dos tercios de vuelta adicional.

NOTA: No apriete demasiado ni use cinta o selladores en la válvula. Se pueden dañar las válvulas.

Revise si hay fugas

- Abra los grifos del agua y revise si hay filtraciones de agua. Una pequeña cantidad de agua podría entrar en la lavadora. Esto lo desaguará en un paso posterior.

NOTA: Reemplace las mangueras de entrada después de cinco años de uso para reducir el riesgo de que fallen. Para consulta en el futuro, anote en las mangueras la fecha de instalación o la fecha de reposición de las mismas.

- Si conecta una sola manguera de agua, deberá tapan el otro puerto de entrada de agua.
- Inspeccione periódicamente y reemplace las mangueras si aparecen bultos, arrugas, cortaduras, desgaste o filtraciones de agua.

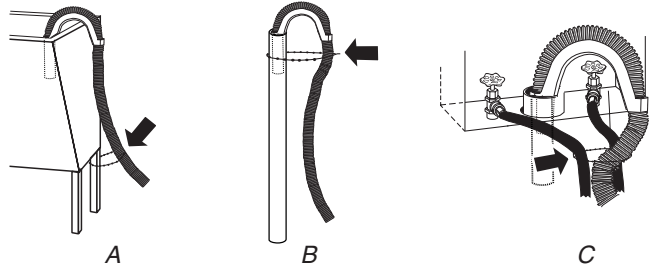
Fijación de la manguera de desagüe

1. Coloque el cable eléctrico encima de la consola.
2. Quite cualquier cartón que haya usado para mover la lavadora.



Fleje de atadura rebordeado

3. Sujete la manguera de desagüe a la pata del lavadero o al tubo vertical utilizando el fleje de atadura rebordeado. Vea la vista A o B.



Si los grifos de suministro de agua de la lavadora y el tubo vertical de desagüe están empotrados, ponga el extremo moldeado de la manguera de desagüe en el tubo vertical. Enrolle el fleje de atadura con firmeza alrededor de las mangueras de entrada del agua y de la manguera de desagüe. Vea la vista C.

Nivelación de la lavadora

⚠ ADVERTENCIA

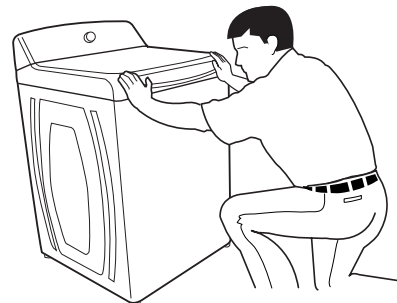
Peligro de Peso Excesivo

Use dos o más personas para mover e instalar la lavadora.

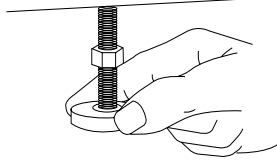
No seguir esta instrucción puede ocasionar una lesión en la espalda u otro tipo de lesiones.

En su nueva lavadora, se instaló una pata a una altura diferente. Las otras tres patas fueron prefijadas en fábrica. La nivelación apropiada de su lavadora reducirá al mínimo el ruido y la vibración.

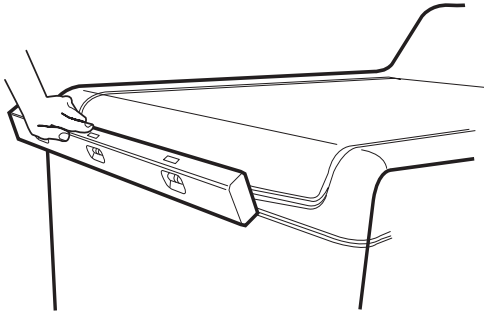
1. Deslice la lavadora a su ubicación final.
2. Empuje el panel delantero superior para asegurarse de que la lavadora esté sobre las patas traseras.



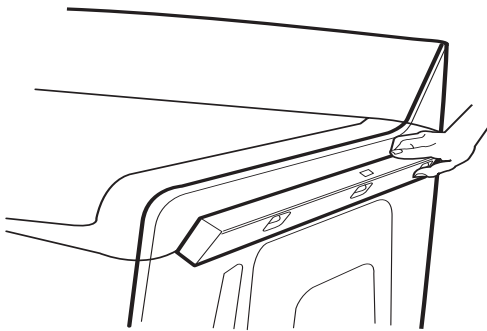
3. Baje la pata delantera derecha hasta que quede en contacto con el piso. Gire la pata a mano firmemente hasta 1½ giro adicional. Las otras tres patas fueron prefijadas en fábrica.



4. Controle la nivelación de la lavadora colocando un nivel en la plegadura que está entre la parte superior de la lavadora y el gabinete, primero en la parte frontal y luego en el costado.



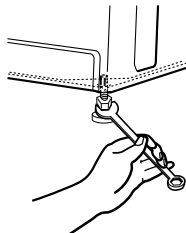
Nivele la parte frontal.



Nivele la parte lateral.

5. Si la lavadora no está nivelada, mueva levemente la lavadora hacia afuera, inclínela hacia atrás y apunte el frente de la lavadora con un bloque de madera. Ajuste las patas hacia arriba o hacia abajo según sea necesario girándolas. Repita los pasos 1 a 4 hasta que la lavadora quede nivelada.
6. Use una llave de boca de 9/16" o de 14 mm para girar la tuerca en el sentido contrario a las agujas del reloj en la pata con firmeza contra el gabinete de la lavadora.

IMPORTANTE: Si no se aprieta la tuerca contra el gabinete de la lavadora, ésta podría vibrar.



Complete la instalación

1. Revise los requisitos eléctricos. Asegúrese de contar con la fuente de electricidad correcta y el método recomendado de conexión a tierra. Vea "Requisitos eléctricos".
2. Verifique que todas las piezas estén instaladas. Si hay alguna pieza extra, vuelva a revisar todos los pasos para ver cuál se omitió.
3. Controle para verificar que tiene todas las herramientas.
4. Guarde el anillo de embalaje de espuma que vino en la tina de la lavadora para poder cambiar de lugar la lavadora en el futuro. Deshágase de todos los demás materiales de embalaje o recíclelos.
5. Controle que los grifos de agua estén abiertos.
6. Verifique si hay fugas alrededor de los grifos y de las mangueras de entrada.

⚠ ADVERTENCIA



Peligro de Choque Eléctrico

Conecte a un contacto de pared de conexión a tierra de 3 terminales.

No quite la terminal de conexión a tierra.

No use un adaptador.

No use un cable eléctrico de extensión.

No seguir estas instrucciones puede ocasionar la muerte, incendio o choque eléctrico.

7. Conecte a un contacto de pared de conexión a tierra de 3 terminales.
8. Quite la película protectora o la cinta que reste en la lavadora.
9. Lea "Uso de la lavadora".
10. Para probar y limpiar su lavadora, mida ½ de la cantidad de detergente de alto rendimiento (HE) recomendada por el fabricante para una carga mediana y viértalo en el depósito de detergente. Cierre la tapa. Oprima Encendido (POWER). Seleccione un ciclo normal y oprima Puesta en marcha (Start). Deje que la lavadora funcione durante el ciclo completo.

BENEFICIOS Y CARACTERÍSTICAS

Su lavadora cuenta con varios beneficios y características que se resumen a continuación. Es posible que algunas características no se apliquen a su modelo.

Beneficios

Sistema de lavado de alto rendimiento gentlewash™

Su nueva lavadora de carga superior y alto rendimiento ahorra tiempo al permitirle hacer menos cargas y más grandes. Con estas innovaciones, también conserva los recursos y reduce sus cuentas de los servicios de agua y electricidad.

Nivel automático del agua

Esta lavadora detecta el tamaño y la composición de la carga a través de una serie de llenados y el movimiento de lavado. Luego, regula automáticamente el nivel del agua para lograr un rendimiento óptimo de limpieza y enjuague. Elimina así el cálculo. El nivel del agua es el apropiado para cada tamaño de carga de lavado.

NOTA: Puede notar durante un ciclo que la carga de la lavadora no está completamente sumergida en el agua. Esto es normal para su lavadora.

Control automático de temperatura (CAT)

El control automático de temperatura (CAT) de esta lavadora detecta y mantiene electrónicamente una temperatura de agua uniforme al regular las temperaturas del agua entrante. El uso del CAT ayudará a disolver el detergente.

Agitador INVIZIBLE™

Su nueva lavadora trabaja de forma diferente que la mayoría de las lavadoras a las que usted está acostumbrado. La diferencia más llamativa es que la lavadora cuenta con un agitador invisible. Utiliza este nuevo agitador innovador en el fondo de la canasta de la lavadora para mover la carga en una mezcla de agua y detergente. La mezcla de detergente se reaplica continuamente durante el ciclo de lavado para retirar las manchas y la suciedad. La carga se mueve desde afuera hacia el centro y luego las prendas se mueven hacia arriba en el centro para luego caer en los bordes exteriores.

Depósitos

Los depósitos realzan la calidad automática de su lavadora. No es necesario que usted regrese en el transcurso del lavado para agregar detergente, blanqueador o suavizante de telas.

Los aditivos de lavandería se diluyen con el agua y se incorporan a la carga de ropa en el momento oportuno del ciclo de lavado.

Velocidades de exprimido

Esta lavadora está prefijada para seleccionar automáticamente la velocidad de exprimido según el ciclo seleccionado. Dependiendo de la carga de lavado, usted puede cambiar las velocidades prefijadas. La velocidad de exprimido en esta lavadora es aproximadamente dos veces más rápida que la de una lavadora convencional. Es posible que escuche sonidos diferentes durante el ciclo de exprimido como consecuencia de la mayor velocidad.

Tratamiento de manchas (Acción de limpieza catalizadora CATALYST®)

La opción de tratamiento de manchas le ayuda a asegurarse la mejor remoción de suciedad y manchas. La acción de tratamiento de manchas reduce la necesidad de pretratamiento y es segura para todas las telas. El agua corre por el depósito para disolver el detergente. Luego, la mezcla de detergente es rociada sobre la carga mientras que la lavadora gira a una velocidad baja. Esta acción de limpieza durará hasta 5 minutos dependiendo del ciclo que haya seleccionado. Luego la lavadora deja de exprimir, se llena con agua hasta el nivel correspondiente y continúa lavando con el ciclo seleccionado.

Detergente de alto rendimiento (HE).

Esta lavadora está diseñada para utilizar detergente de alto rendimiento (HE) solamente. Los detergentes de alto rendimiento (HE) están hechos para producir la cantidad adecuada de espuma para el mejor rendimiento en sistemas de lavado con nivel bajo de agua.



Características

Características innovadoras

Su nueva lavadora incluye estas características que le ayudan a reducir el ruido, facilitar más el uso y mejorar el rendimiento de lavado.

Controles electrónicos

Los controles electrónicos con ciclos prefijados son fáciles de usar tanto sea usted principiante o experto.

Funcionamiento silencioso

Esta lavadora está aislada con materiales aislantes que reducen tanto los sonidos como los ruidos durante el funcionamiento de la lavadora. En algunos modelos se ha agregado un envoltorio adicional en la tina para un aislamiento superior de vibraciones y sonidos.

Sistema de suspensión

Para reducir los problemas de la “caminata” y el “desequilibrio” de la lavadora, su nueva lavadora cuenta con:

- 4 amortiguadores de resorte para aislar las vibraciones
- Aro de balance en la parte superior e inferior de la canasta de la lavadora para reducir la vibración al mínimo
- Software de funcionamiento diseñado para detectar y corregir las cargas que están desequilibradas

Ciclo de limpieza de la lavadora

Esta lavadora presenta un ciclo de limpieza fácil de usar que limpia a fondo el interior de la máquina de lavar, usando mayores volúmenes de agua junto con el blanqueador líquido con cloro.

Canasta de acero inoxidable

La canasta de acero inoxidable es resistente a la corrosión y permite velocidades más altas de exprimido, logrando mayor extracción del agua, que a su vez reduce el tiempo de secado.

Sistema de lavado/enjuague con filtro de fuerza

Esta lavadora filtra 100% del agua de lavado y enjuague. El agua es filtrada y luego vuelve a circular. El filtro de fuerza atrapa la arena y la suciedad y las elimina a través del desagüe para que no vuelvan a depositarse en las prendas limpias.

Opción de ahorro extra de energía (Save Energy Plus)

La opción de ahorro extra de energía (Save Energy Plus) le permite incrementar el ahorro de energía en los ciclos con temperaturas más altas (Blancos blanquísimos y Lavado intenso) a la vez que mantiene el rendimiento de lavado prolongando el tiempo de lavado por aproximadamente sólo 5 minutos.

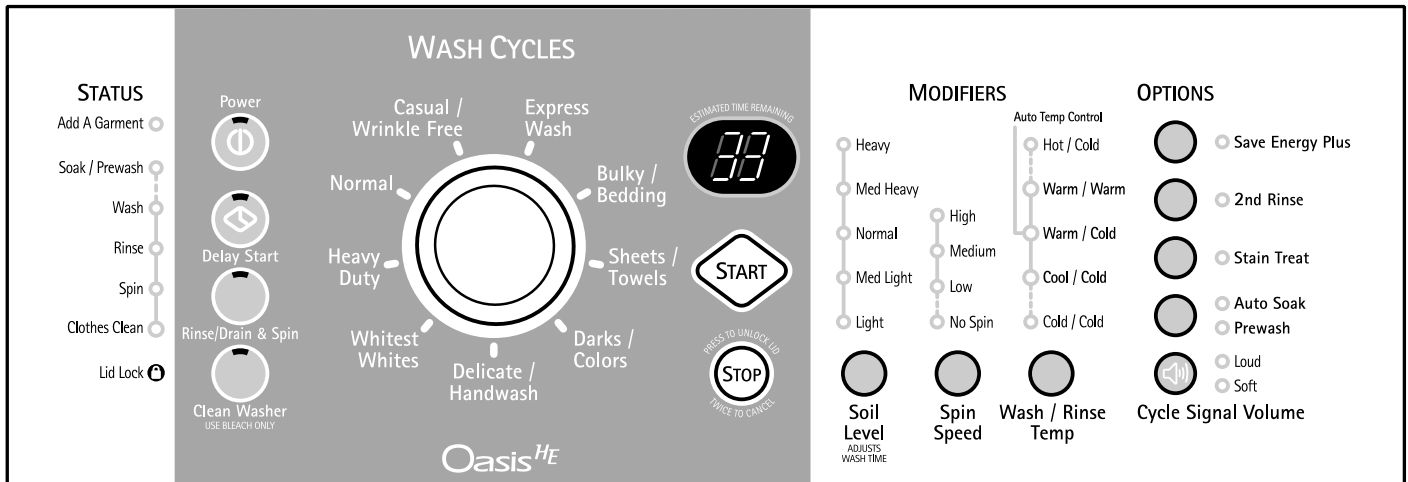
Inicio diferido (Delay Start)

El inicio diferido le permite cargar la lavadora y hacer una pausa al comienzo del ciclo por hasta 13 horas.

Señal de fin de ciclo

La señal de fin de ciclo emite un sonido audible una vez que el ciclo de lavado ha terminado. Esta señal es útil cuando tiene que quitar artículos de la lavadora tan pronto como ésta se detenga.

USO DE LA LAVADORA



NOTA: El modelo de su lavadora puede diferir levemente.

Puesta en marcha de la lavadora

⚠ ADVERTENCIA



Peligro de Incendio

Nunca coloque en la lavadora artículos que estén humedecidos con gasolina o cualquier otro líquido inflamable.

Ninguna lavadora puede eliminar completamente el aceite.

No seque ningún artículo que haya tenido alguna vez cualquier tipo de aceite (incluyendo aceites de cocina).

No seguir estas instrucciones puede ocasionar la muerte, explosión o incendio.

ADVERTENCIA: A fin de reducir el riesgo de incendio, de choque eléctrico o de daños personales, lea las INSTRUCCIONES IMPORTANTES DE SEGURIDAD antes de operar este aparato.

La siguiente es una guía para poner su lavadora en marcha. Las consultas periódicas a otras secciones de este manual le proporcionarán información más detallada.

Uso del detergente adecuado

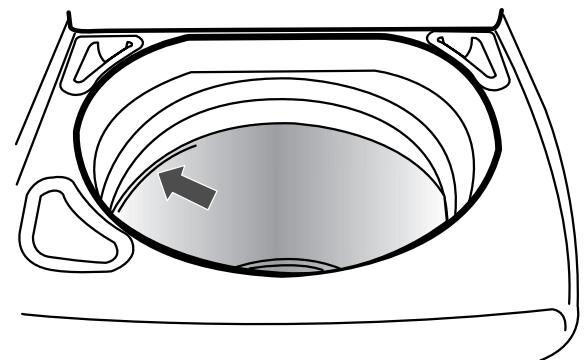
Use solamente detergentes de alto rendimiento (HE). El paquete para este tipo de detergente incluye la indicación "HE" o "Alto Rendimiento". Los detergentes de Alto Rendimiento como TIDE® HE están hechos para producir la cantidad adecuada de espuma para el mejor rendimiento en sistemas de lavado con nivel bajo de agua. Siga las instrucciones del fabricante del detergente para determinar la cantidad correcta de detergente que debe usar.

El nuevo sistema de lavado de su lavadora creará demasiada espuma con un detergente común que no sea de alto rendimiento (HE). El uso de un detergente común probablemente derive en errores de la lavadora, tiempos de lavado más prolongados y menor rendimiento de enjuague. También puede ocasionar fallas en los componentes y moho evidente. Si se utiliza detergente común (no de alto rendimiento) la garantía quedará sin efecto. Vea "Garantía".

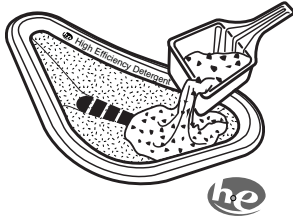


Use solamente un detergente de alto rendimiento (HE).

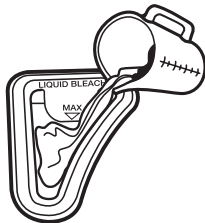
- Coloque una carga de ropa seleccionada en la lavadora. Vea "Consejos de lavandería".
 - Coloque las prendas de manera uniforme para mantener el equilibrio de la lavadora. Mezcle artículos grandes con artículos pequeños.
 - Cargue solamente hasta la parte superior de la canasta, como se muestra. El sobrecargar la lavadora puede causar una limpieza insatisfactoria.



- Vierta una medida de detergente de Alto Rendimiento (HE) en polvo o líquido en el depósito del detergente. No ponga detergente directamente en la tina de lavadero o sobre las prendas en la lavadora.



- Agregue el blanqueador no decolorante (en polvo o líquido) en este depósito, si fuera necesario. Asegúrese de combinar el blanqueador en polvo no decolorante con el detergente en polvo, o de combinar el blanqueador líquido no decolorante con el detergente líquido.
- Si lo necesita, vierta el blanqueador líquido con cloro medido en el depósito del blanqueador líquido con cloro. El blanqueador se diluirá automáticamente y se distribuirá en el momento apropiado durante el ciclo de lavado.



- No sobrellene. No lo diluya. No use más de 1 taza (250 mL) para una carga completa. Use menos con una carga de menor tamaño.
- Siga las instrucciones del fabricante de las prendas y del blanqueador con cloro para el uso adecuado del mismo.
- Use una taza con un pico vertedor para evitar derrames. No deje que el blanqueador salpique, gotee, o se corra dentro de la canasta de la lavadora.
- Al final del ciclo, puede quedar una pequeña cantidad de agua en el depósito. Esto es normal.

NOTA: Use solamente blanqueador líquido con cloro en este depósito.

- Si lo desea, vierta el suavizante de telas líquido en el depósito del suavizante de telas líquido.



- No sobrellene. El depósito tiene una capacidad para 3 onzas (94 mL), o el contenido de una tapa.
- El suavizante de telas se agrega en el ciclo de enjuague. Si se selecciona el segundo enjuague (2nd Rinse), el suavizante de telas será distribuido durante el segundo enjuague.
- No use bolas que distribuyen suavizante de telas en esta lavadora. Las bolas que distribuyen suavizante de telas no funcionan correctamente en esta lavadora.
- No derrame ni gotee el suavizante de telas sobre las prendas.

- Al final del ciclo, puede quedar una pequeña cantidad de agua en el depósito. Esto es normal.

NOTA: Use solamente suavizante de telas líquido en este depósito.

- Cierre la tapa de la lavadora.
- Presione Encendido (POWER). Así se enciende la pantalla de la lavadora.
- Seleccione un Ciclo de lavado (Wash Cycle). Vea "Ciclos".
- Ajuste los modificadores, si lo desea. Vea "Modificadores".
- Seleccione las opciones deseadas. Vea "Opciones".
- Seleccione Inicio diferido (Delay Start), si lo desea. Vea "Inicio diferido" en la sección "Modificadores".
- Presione Inicio (START). Comienza el ciclo de lavado y la pantalla muestra el tiempo estimado restante. La tapa se bloqueará.

NOTA: Si usted no oprime puesta en marcha dentro de los 5 minutos de haber oprimido Encendido, la lavadora se apaga automáticamente.

Pausa o reanudación de la marcha de la lavadora

Agregado de prendas

Puede colocar prendas adicionales en la lavadora cuando se encienda la luz de estado de agregado de prendas (Add a Garment) sin sacrificar el rendimiento del lavado.

Para agregar una prenda o hacer una pausa en el lavado en cualquier momento

- Presione STOP (Parada) una vez.
- Espere hasta que la luz de tapa bloqueada (Lid Lock) se apague, luego ábrala.
- Agregue prendas.

Para reanudar la marcha de la lavadora

- Cierre la tapa y presione Inicio (START).
- Para destrabar la tapa después del período de agregar prendas, presione Parada (STOP) una vez. Si presiona Parada (STOP) dos veces, se cancelará el ciclo de lavado.

Cómo detener la lavadora

Puede detener el ciclo de lavado y desaguar la tina presionando el botón de Parada dos veces o el botón de Encendido una vez.

Cambio de ciclos, modificadores y opciones

Usted puede cambiar los ciclos, modificadores y opciones en cualquier momento antes de presionar Puesta en marcha (START). No todos los modificadores y opciones están disponibles con todos los ciclos.

- Al seleccionar un cambio se escucha un tono audible corto.
- Al seleccionar una combinación no disponible se escucha tres tonos audibles cortos. No se aceptará la última selección.

Cómo cambiar los ciclos durante el ciclo de lavado

- Presione Parada (STOP) dos veces para cancelar el ciclo de lavado. La lavadora se desaguará.
- Presione Encendido (POWER).
- Seleccione el ciclo de lavado deseado.

4. Seleccione los modificadores y opciones deseados.

5. Presione Inicio (START).

La lavadora vuelve a ponerse en marcha al comienzo del nuevo ciclo.

NOTA: Si usted no oprime Inicio (Start) dentro de los 5 minutos de haber hecho una pausa en la lavadora, ésta se apaga automáticamente.

Cómo cambiar los modificadores y las opciones durante el ciclo de lavado

Usted puede cambiar un modificador u opción en cualquier momento antes de que comience el modificador u opción seleccionado. Debe:

1. Presionar Parada (STOP) una vez.
2. Seleccionar los modificadores y/u opciones deseados.
3. Presionar START.

Para desaguar la lavadora manualmente y exprimir la carga

1. Oprima Parada (STOP) dos veces para cancelar el ciclo de lavado y desaguar la lavadora.
2. Presione Encendido (POWER).
3. Oprima Desagüe y exprimido (DRAIN & SPIN).
4. Presione START.

Al cabo del exprimido, la tapa se destraba. Se puede descargar la lavadora.

Luces de estado

Estas luces muestran en qué porción del ciclo está funcionando la lavadora. También indican cuándo puede agregar otras prendas a la carga de lavado.



Ropa limpia (Clothes Clean)

La luz de de ropa limpia (Clothes Clean) permanece encendida hasta que la tapa se abre o hasta que se oprime el botón de Encendido (Power).

Tapa bloqueada (Lid Lock)

Cuando la luz de estado de tapa bloqueada (Lid Lock) se enciende, la tapa de la lavadora está bloqueada.

NOTA: Deberá esperar hasta que se apague la luz de tapa bloqueada (lid lock) antes de poder abrir la tapa.

Luces indicadoras

Una luz indicadora muestra el ciclo, modificador y opción que ha seleccionado.

Tiempo estimado restante

El tiempo del ciclo aparecerá en minutos en la pantalla mientras usted realiza las selecciones. Una vez que se presiona Inicio, aparecerá el tiempo total de ciclo, incluyendo el tiempo estimado para el desagüe y llenado.

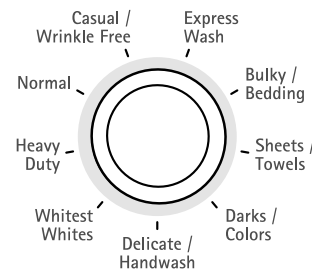


NOTAS:

- El tiempo es una estimación solamente y puede variar según el tamaño de la carga, el ciclo, los modificadores y las opciones seleccionados.
- Es posible que note que el tiempo se ajusta durante el ciclo. Esto es normal.
- El tiempo del ciclo puede alargarse si hay demasiada espuma o si la carga no está balanceada.

Ciclos

Gire la perilla para elegir el ciclo de lavado adecuado para el tipo de telas que va a lavar. Cuando la perilla apunta a un ciclo, la luz indicadora para el ciclo se iluminará. Si los ajustes prefijados para los modificadores y opciones son adecuados para la carga de lavado, puede presionar Inicio (Start) para comenzar el ciclo de lavado.



Ajustes prefijados de ciclos

Para facilitar el uso, los ajustes de ciclos prefijados proveen los ajustes de cuidado de la tela recomendados para cada ciclo.

Para usar los ajustes prefijados:

1. Presione Encendido (POWER).
2. Seleccione el ciclo que desee girando la perilla. Aparecerán en la pantalla los ajustes prefijados del ciclo (vea el cuadro siguiente).
3. Presione Inicio (START). Comenzará el ciclo de lavado.

Ajustes prefijados de ciclos

Ciclo	Minutos Prefijados	Nivel de suciedad*	Temperatura de lavado/enjuague
Blancos Blanquísimos (Whitest Whites)	79	Pesado	Caliente/Fr�a (Hot/Cold) (Sin CAT)
Intenso (Heavy Duty)	74	Pesado	Caliente/Fr�a (Hot/Cold) (Sin CAT)
Normal	43	Normal	Tibia/Fr�a (Warm/Cold)
Informal/Sin arrugas (Casual/Wrinkle Free)	44	Mediano Ligeroy	Tibia/Fr�a (Warm/Cold)
Lavado expreso (Express Wash)	34	Ligeroy	Tibia/Tibia (Warm/Warm)
Art�culos voluminosos/Ropa de cama (Bulky/Bedding)	46	Normal	Tibia/Fr�a (Warm/Cold)
S�banas/Toallas (Sheets/Towels)	46	Normal	Tibia/Fr�a (Warm/Cold)
Prendas oscuras/de colores (Darks/Colors)	42	Normal	Fresca/Fr�a (Cool/Cold)
Ropa delicada/Lavado a mano (Delicate/Handwash)	35	Ligeroy	Fresca/Fr�a (Cool/Cold)
Enjuague y Exprimido (Rinse & Spin)	20	No es aplicable	Fr�a/Fr�a (Cold/Cold)
Desag�e y exprimido (Drain & Spin)	10	No es aplicable	No es aplicable
Limpiar la lavadora (Clean Washer)	60	No es aplicable	No es aplicable

* El tiempo del ciclo aparecer  en minutos en la pantalla mientras usted realiza las selecciones. Una vez que se presiona Inicio, aparecer  el tiempo total de ciclo, incluyendo el tiempo estimado para el desag e y llenado.

NOTA: Cargue solamente hasta la parte superior de la canasta. El sobrecargar la lavadora puede causar una limpieza insatisfactoria. Vea "Puesta en marcha de su lavadora".

Blancos Blanqu simos (Whitest Whites)

En este ciclo se introduce el blanqueador l quido con cloro en la carga en el momento adecuado para el blanqueamiento mejorado de las telas blancas con suciedad profunda. El ciclo combina una acci n de lavado a velocidad alta con una velocidad alta de exprimido. La opci n prefijada para este ciclo es el segundo enjuague (2nd Rinse) para quitar el detergente y blanqueador a fondo.

Para la remoci n m xima de la suciedad y las manchas, deber  usarse blanqueador l quido con cloro.

Intenso (Heavy Duty)

Use este ciclo para cargas pesadas de algod n o con mucha suciedad. El ciclo combina una acci n de lavado a velocidad alta con una velocidad alta de exprimido. La opci n prefijada para este ciclo es la de tratamiento de manchas (Stain Treat), pero se puede apagar. Vea "Cambio de ciclos, modificadores y opciones".

Normal

Use este ciclo para las prendas de algod n y cargas de telas mixtas con suciedad normal. El ciclo combina una acci n de lavado a velocidad alta con una velocidad alta de exprimido.

Informal/Sin arrugas (Casual/Wrinkle Free)

Use este ciclo para lavar telas inarrugables como camisas deportivas, blusas, ropa de negocios informal, fibras mixtas de planchado permanente y mezclas. Este ciclo usa una acci n de lavado a velocidad media, exprimido a velocidad media y un proceso de enfriamiento de la ropa para reducir la formaci n de arrugas.

Lavado expreso (Express Wash)

Use este ciclo para lavar unos pocos art culos con suciedad ligera que se necesiten con urgencia. Este ciclo corto combina una acci n de lavado a alta velocidad y un exprimido a alta velocidad para la mejor limpieza y tiempos de secado m s cortos.

Art culos voluminosos/Ropa de cama (Bulky/Bedding)

Este ciclo est  dise ado para art culos grandes que no absorben el agua f cilmente, tales como edredones, almohadas y chaquetas rellenas con poli ster. El mismo lava suavemente estos art culos no absorbentes en un nivel de agua prefijado para evitar da os. Este ciclo comienza con un remojo para saturar completamente su carga voluminosa. Le sigue una acci n de lavado mediano y un exprimido a velocidad media para mantener el equilibrio de la carga.

NOTA: Debido al nivel prefijado del agua, otros art culos similares crear n una carga desequilibrada en este ciclo.

S banas/Toallas (Sheets/Towels)

Use este ciclo para s banas, fundas y toallas. La acci n de lavado de este ciclo est  dise ada para evitar que art culos grandes se enreden y formen ovillos.

IMPORTANTE: Coloque los art culos en montones flojos y de modo parejo alrededor de la pared de la canasta para lograr un funcionamiento  ptimo. No cargue los art culos directamente sobre el impulsor para este ciclo.

Prendas oscuras/de colores (Darks/Colors)

Use este ciclo para telas naturales oscuras o te idas, tales como telas de mezclilla u otros art culos de algod n, que puedan ser susceptibles a la p rdida de color. Este ciclo usa una acci n de lavado a velocidad baja a media con una velocidad alta de exprimido. Para obtener mejores resultados, use agua fr a o tibia.

Ropa delicada/lavado a mano (Delicate/Handwash)

Use este ciclo para lavar art culos de cuidado especial que est n levemente sucios o aqu ellos cuya etiqueta indique "Lana o seda lavable a m quina". (Verifique las instrucciones de la etiqueta para asegurarse de que la prenda es lavable.) Este ciclo usa una acci n de lavado intermitente de baja velocidad y velocidades bajas de exprimido para un cuidado suave de la tela y menos arrugas.

Las prendas llevan la etiqueta “Lavado a mano” porque:

- La construcción de la fibra puede ser sensible a la acción de lavado.
- La fibra contiene tintes sensibles que pueden desteñir.

NOTA: Algunas prendas de “Lavado a mano” encogen naturalmente cuando se lavan. Recuerde esto cuando compre prendas etiquetadas con “Lavado a mano”. Las prendas que encogen deben de secarse en posición horizontal. Déles la forma original a estos artículos estirándolos suavemente a sus medidas originales mientras estén húmedos.

Enjuague/Desagüe y Exprimido (Rinse/Drain & Spin)

Los ciclos de enjuague y exprimido y desagüe y exprimido se seleccionan con el mismo botón.



Rinse/Drain & Spin

Enjuague y Exprimido (Rinse & Spin)

Esta opción hace funcionar un enjuague solamente, seguido por un exprimido a alta velocidad. En el tiempo de la pantalla se incluirá una estimación de cuánto demorará para llenar y desaguar la lavadora.

Cuándo usar el enjuague y exprimido (Rinse & Spin):

- Para cargas que necesitan únicamente enjuague.
- Para completar un ciclo después de que haya habido un corte de corriente.

Para usar el ajuste de enjuague y exprimido:

1. Presione una vez el botón de enjuague/desagüe y exprimido (RINSE/DRAIN & SPIN). Se encenderá la luz indicadora de enjuague y exprimido (Rinse & Spin), así como también las luces de velocidad de exprimido (Spin Speed), temperatura del agua (Water Temperature) y segundo enjuague (2nd Rinse). Puede cambiar solamente los modificadores de velocidad de exprimido (Spin Speed) y temperatura del agua (Water Temperature).

NOTA: Aparecerá en la pantalla de tiempo estimado restante un tiempo de ciclo de enjuague y exprimido (Rinse & Spin) de aproximadamente 20 minutos.

2. Presione Inicio (START).

Desagüe y exprimido (Drain & Spin)

Un desagüe y exprimido adicionales pueden ayudar a acortar los tiempos de secado para algunas telas pesadas o artículos de cuidado especial. También puede usarse el desagüe y exprimido para desaguar la lavadora después de cancelar un ciclo o, completar un ciclo después de un corte de corriente.

Para usar el ajuste de desagüe y exprimido:

1. Presione una vez el botón de enjuague/desagüe y exprimido (RINSE/DRAIN & SPIN). Se encenderá la luz indicadora de enjuague y exprimido (Rinse & Spin), así como también las luces de velocidad de exprimido (Spin Speed), temperatura del agua (Water Temperature) y segundo enjuague (2nd Rinse). Puede cambiar solamente el modificador de velocidad de exprimido (Spin Speed).
2. Presione segundo enjuague (2nd RINSE) para borrar la selección de enjuague y exprimido (Rinse & Spin). Las luces de segundo enjuague (2nd Rinse) y temperatura del agua (Water Temperature) se apagarán, para indicar que se ha seleccionado un ciclo de desagüe y exprimido (Drain & Spin).

NOTA: Aparecerá en la pantalla de tiempo estimado restante un tiempo de desagüe y exprimido (Drain & Spin) de aproximadamente 10 minutos.

3. Presione Inicio (START).

IMPORTANTE: El agua comenzará a entrar en la lavadora por un momento, luego la tapa se desbloqueará, se bloqueará nuevamente y posteriormente continuará el ciclo de desagüe y exprimido (Drain & Spin). Esto es normal.

Limpiar la lavadora (Clean Washer)

Use el ciclo de limpiar la lavadora (Clean Washer) una vez por mes para mantener el interior de su lavadora fresco y limpio. Este ciclo utiliza un nivel más alto de agua junto con blanqueador líquido con cloro para limpiar meticulosamente el interior de su lavadora. Vea “Cómo limpiar su lavadora”.



Clean Washer
USE BLEACH ONLY

IMPORTANTE: No agregue detergente a este ciclo de limpieza. Agregue solamente blanqueador líquido con cloro. No coloque prendas ni otros artículos en la lavadora durante el ciclo de limpieza de la lavadora. Use este ciclo con la tina de lavado vacía.

Modificadores

Los modificadores le permiten personalizar aun más sus ciclos y ahorrar energía.

Nivel de suciedad (tiempo del ciclo)

El nivel de suciedad está prefijado para cada ciclo. Vea “Ajustes prefijados de ciclos” en la sección “Ciclos”. Cuando usted presione el botón de nivel de suciedad (Soil Level), el tiempo del ciclo (en minutos) aumentará o disminuirá en la pantalla de tiempo estimado restante (Estimated Time Remaining). Para obtener el mínimo tiempo de lavado, presione el botón hasta que la luz indicadora al lado de Light se ilumine. Este es el tiempo más corto disponible para este ciclo.



Soil Level
ADJUSTS
WASH TIME

- Para la mayoría de las cargas, utilice el tiempo recomendado en los ajustes prefijados de los ciclos.
- Para telas resistentes y con suciedad profunda, oprima Nivel de suciedad para seleccionar más tiempo de lavado, si fuera necesario.
- Para telas delicadas y con poca suciedad, oprima Nivel de suciedad para seleccionar menos tiempo de lavado, si fuera necesario.

Velocidad de exprimido

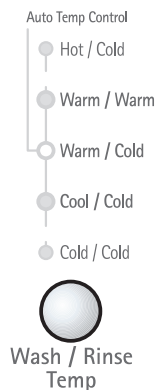
Esta lavadora selecciona automáticamente la velocidad de exprimido según el ciclo seleccionado. Las velocidades prefijadas pueden cambiarse. Las velocidades de exprimido pueden variar según el ciclo.



Temperatura de lavado/enjuague

Seleccione una temperatura de agua basado en el tipo de carga que esté lavando. Use el agua de lavado más caliente que las telas puedan resistir. Siga las instrucciones de la etiqueta de las prendas.

Los enjuagues con agua tibia dejan las cargas más secas y permiten que se las manipule con más comodidad. Sin embargo, los enjuagues con agua tibia pueden aumentar la formación de arrugas. Los enjuagues con agua fría pueden ayudar con la formación de arrugas y el ahorro de energía.



Guía de la temperatura

Temperatura del agua de lavado	Telas sugeridas
Caliente	Ropa blanca y de color pastel
Tibia	Colores brillantes
Fría	Colores más oscuros que destiñen o que se opacan

NOTA: En temperaturas de agua inferiores a 60°F (15,6°C), los detergentes no se disuelven bien. Además puede resultar difícil quitar la suciedad.

Control automático de temperatura

El Control automático de la temperatura (CAT) detecta y mantiene electrónicamente una temperatura de agua uniforme. El CAT regula el agua fría y caliente que ingresa. El CAT se enciende automáticamente (On) al seleccionar un ciclo. (Vea "Ajustes prefijados de ciclos" en la sección "Ciclos".)

El CAT está disponible con los ajustes Tibio/Tibio, Tibio/Frío y Fresco/Frío. La temperatura del agua en los ajustes Caliente/Frío (Hot/Cold) y Frío/Frío (Cold/Cold) depende de la temperatura del agua en los grifos de entrada de agua.

- El CAT asegura una limpieza homogénea.
- El agua calentada consume la mayor cantidad de energía que utiliza una lavadora.
- Los detergentes actuales funcionan bien a temperaturas por encima de 60°F (15,6°C).

Inicio diferido (Delay Start)

Puede usar la característica de inicio diferido (Delay Start) para retrasar el inicio del ciclo de lavado hasta 13 horas (dependiendo del modelo).

1. Cargue la lavadora y llene los depósitos.
2. Cierre la tapa de la lavadora.
3. Presione el botón de Encendido (POWER).
4. Seleccione el Ciclo, modificadores y opciones deseados.
5. Presione Inicio diferido (DELAY START). 1H (una hora) aparecerá en la pantalla del tiempo. La luz indicadora para Inicio diferido (Delay Start) destellará.



6. Para un tiempo diferido más largo, oprima Inicio Diferido. El tiempo de comienzo aumentará en intervalos de 1 hora.
7. Presione Inicio (START). La cuenta regresiva al ciclo de lavado aparecerá en la pantalla de tiempo y la luz indicadora de Inicio diferido destellará.

NOTA: Debe presionar Start para iniciar la cuenta regresiva para el comienzo del ciclo.

Para cambiar el tiempo de Inicio diferido:

- Oprima STOP.
- Oprima DELAY START para seleccionar el tiempo diferido deseado.
- Oprimir START para comenzar la cuenta regresiva.

Para cancelar Inicio diferido:

Oprima START nuevamente para comenzar el ciclo de inmediato, o presione STOP dos veces para anular el ciclo.

Opciones

Utilice los botones para seleccionar las opciones deseadas para su ciclo de lavado.

OPTIONS



Ahorro extra de energía (Save Energy Plus)

La opción de ahorro extra de energía (Save Energy Plus) reduce las temperaturas de lavado y enjuague para ahorrar energía, a la vez que agrega unos 5 minutos de tiempo de lavado para mantener el rendimiento. Esta opción debe seleccionarse antes del comienzo del ciclo. La opción de ahorro extra de energía está disponible únicamente en los ciclos Lavado intenso y Blancos blanquísimos.

Segundo enjuague (2nd Rinse)

Se puede utilizar un segundo enjuague para ayudar en la eliminación de residuos del detergente o del blanqueador que haya quedado en las prendas. Esta opción proporciona un enjuague adicional con la misma temperatura del agua del primer enjuague. Éste es el ajuste de enjuague prefijado para el ciclo de Blancos Blanquísimos. El suavizante de telas se distribuirá durante el segundo enjuague.

Tratamiento de manchas (Stain Treat) (Acción de limpieza catalizadora Catalyst®)

Esta opción ofrece una acción de limpieza mejorada para las manchas rebeldes. El ciclo de Lavado intenso incluye el Tratamiento de manchas automáticamente. Si se selecciona Tratamiento de manchas, se agregarán 5 minutos aproximadamente a un ciclo. El Tratamiento de manchas debe comenzar con la carga seca solamente y no debe seleccionarse si la tina ha comenzado a llenarse con agua.

El Tratamiento de manchas puede ser seleccionado como una opción con otros ciclos. Consulte la tabla para más detalles.

Ciclo	Tratamiento de manchas (Stain Treat) (Agrega tiempo al ciclo de lavado)
Blancos Blanquísimos (Whitest Whites)	Opción
Intenso (Heavy Duty)	Prefijado
Normal	Opción
Informal/Sin arrugas (Casual/Wrinkle Free)	Opción
Lavado expreso (Express Wash)	Opción
Artículos voluminosos/Ropa de cama (Bulky/Bedding)	No disponible
Sábanas/Toallas (Sheets/Towels)	No disponible
Prendas oscuras/de colores (Darks/Colors)	Opción
Ropa delicada/lavado a mano (Delicate/Handwash)	Opción

Remojo automático/Prelavado (Auto Soak/Prewash)

Use estas opciones para las manchas y la suciedad rebeldes que necesiten tiempo extra para ser quitadas. Presione el botón opcional para Remojo automático/Prelavado (Auto Soak/Prewash) hasta que se encienda la elección deseada.

- Cuando se selecciona remojo automático, la lavadora satura la carga con agua y detergente; luego hace una pausa para permitir que el detergente trabaje en la suciedad. A la pausa le sigue un exprimido a baja velocidad. La lavadora hace una pausa y exprime seis veces antes de pasar al ciclo de lavado deseado. El Remojo automático agrega 12 minutos aproximadamente al ciclo de lavado.
- Cuando se selecciona el Prelavado, la lavadora se llena hasta el nivel de agua deseado. Luego alterna entre 1 minuto de acción de lavado y una pausa de 1 minuto tres veces consecutivas con una pausa extendida al final del ciclo. Una vez finalizado el Prelavado, la lavadora pasa al ciclo de lavado seleccionado. La opción de Prelavado aumenta el tiempo de lavado en unos 11 minutos.

Volumen de la señal del ciclo

La señal de fin de ciclo emite un sonido audible una vez que el ciclo de lavado ha terminado. Esta señal es útil cuando tiene que quitar artículos de la lavadora tan pronto como ésta se detenga. Seleccione fuerte (Loud) o suave (Soft). La señal de fin de ciclo está apagada cuando no se enciende ninguna de las opciones.

Controles de funcionamiento

Inicio (Start)

Oprima START para iniciar la lavadora después de haber seleccionado un ciclo. Asegúrese de que todos los modificadores y opciones deseadas han sido seleccionados. La tapa deberá estar cerrada para que la lavadora comience a funcionar.



Parada (Stop)

Oprima Parada (STOP) una vez para hacer una pausa o detener la lavadora en cualquier momento. Presione Inicio (START) para continuar el ciclo. Oprima Parada (STOP) dos veces para apagar la lavadora. Oprima Parada una vez para destrabar la tapa y agregar una prenda.



Encendido (Power)

Oprima Encendido para encender o apagar la lavadora. La lavadora se apaga automáticamente 5 minutos después de haber finalizado un ciclo.



Sonidos normales

Su nueva lavadora puede producir sonidos que su vieja lavadora no hacía. Como se trata de sonidos con los que usted no está familiarizado, es posible que le preocupen. Estos sonidos pueden ser normales.

Durante el lavado

Si selecciona la opción Tratamiento de manchas (Stain Treat), escuchará un ruido de exprimido/rociado al comienzo del ciclo.

Durante el desagüe

Si se vacía el agua de la lavadora con rapidez (según su instalación), es posible que escuche la succión de aire que pasa por la bomba durante la etapa final del desagüe.

Durante el lavado y exprimido

Esta lavadora no tiene una transmisión. El motor suministra un accionamiento directo para el lavado y el exprimido. Escuchará sonidos que son diferentes a los de una lavadora convencional.

CONSEJOS DE LAVANDERÍA

Preparación de la ropa para lavar

Siga estas recomendaciones para ayudarle a prolongar la vida de sus prendas de vestir.

- Siempre use detergente de alto rendimiento (HE). El paquete para este tipo de detergente incluye la indicación "HE" o "Alto Rendimiento". Este sistema de lavado, junto con menos agua, creará demasiada espuma con un detergente común que no sea de alto rendimiento (HE). El uso de un detergente común probablemente derive en errores de la lavadora, tiempos de lavado más prolongados y menor rendimiento de enjuague. También puede ocasionar fallas en los componentes y moho evidente. Los detergentes de Alto Rendimiento como TIDE® HE están hechos para producir la cantidad adecuada de espuma para el mejor rendimiento. Siga las instrucciones del fabricante del detergente para determinar la cantidad de detergente que debe usar.



- Cierre los zípers, broches de presión y corchetes para evitar que enganchen otros artículos. Quite alfileres, hebillas y demás objetos duros para evitar que rayen el interior de la lavadora. Quite todo adorno y ornamento que no sea lavable.
- Vacíe los bolsillos y vuélvalos al revés.
- Doble los puños y limpie con un cepillo la pelusa y la suciedad.
- Vuelva al revés las prendas de tejido sintético para evitar que se llenen de pelusas.
- Ate los cordones y fajas de modo que no se enreden.
- Remiende lo que esté roto así como las costuras y dobladillos flojos.
- Trate las manchas y suciedades.
- Las prendas manchadas o mojadas deberán lavarse con prontitud para obtener mejores resultados.

Selección de la ropa

- Separe las prendas con suciedad profunda de las que están ligeramente sucias, aún cuando éstas normalmente se lavarían juntas. Separe las prendas que sueltan pelusa (toallas, felpilla) de las que atraen pelusa (pana, artículos sintéticos y de planchado permanente). Siempre que sea posible, vuelva al revés la ropa que suelta pelusa.
- Separe los colores oscuros de los colores claros, los artículos no desteñibles de los que sí lo son.
- Separe por tipo de tela y estructura (prendas fuertes de algodón, tejidos de punto y prendas finas).
- Separe los artículos voluminosos no absorbentes tales como edredones, almohadas y chaquetas rellenas con poliéster. Use el ciclo de artículos voluminosos/ropa de cama (Bulky/Bedding) para estos artículos.
- Separe las sábanas, fundas y toallas y use el ciclo Sábanas/Toallas (Sheets/Towels) para estos artículos. Para lograr un funcionamiento óptimo, para este ciclo coloque los artículos en montones flojos y de modo parejo alrededor de la pared de la canasta y no los ponga directamente en el impulsor.

Cómo descargar

- Saque la ropa de la lavadora después de que se haya completado el ciclo. Los objetos metálicos como cierres, broches a presión y hebillas pueden herrumbrarse si se dejan en la lavadora por largo tiempo.

CUIDADO DE LA LAVADORA

Cómo limpiar su lavadora

Procedimiento para el mantenimiento de la lavadora

Esta lavadora tiene un ciclo especial que utiliza grandes volúmenes de agua junto con blanqueador líquido con cloro para limpiar meticulosamente el interior de su lavadora.

NOTAS:

- Lea estas instrucciones completamente antes de comenzar el proceso de limpieza.
- Es recomendable dejar que se complete el ciclo de limpieza sin interrupciones. Si es necesario, el ciclo de limpieza puede interrumpirse presionando el botón de encendido (Power) una vez o el botón de parada (Stop) dos veces.

IMPORTANTE: Si se interrumpe el ciclo de limpieza, haga funcionar un ciclo de enjuague y exprimido (Rinse & Spin) para asegurarse de que se haya enjuagado todo el blanqueador restante de la lavadora.

Comience el procedimiento

1. Abra la tapa de la lavadora y quite los artículos de la misma.
 2. Agregue blanqueador líquido con cloro en el depósito del blanqueador.
 - Agregue 1 taza (236,6 mL) de blanqueador líquido con cloro en el depósito del blanqueador.
- NOTA:** No agregue ningún detergente a este ciclo de limpieza. Si usa más de 1 taza (236,6 mL) de blanqueador el producto podrá dañarse con el tiempo.
3. Cierre la tapa.
 4. Presione Encendido (POWER).
 5. Presione limpiar la lavadora (CLEAN WASHER).
 - La pantalla de tiempo estimado restante mostrará aproximadamente 60 minutos.
 6. Presione Inicio (START).
 - Comenzará el ciclo y se agregará agua en la lavadora por un momento; hará una pausa y luego la tapa se bloqueará y el ciclo continuará.
 - Una vez que haya comenzado el ciclo de limpieza, deje que el ciclo finalice. La pantalla mostrará el tiempo aproximado del ciclo.
 - Si el procedimiento no mejora suficientemente la frescura de la máquina, sírvase evaluar su instalación y las condiciones de uso para detectar otras causas.

Siempre haga lo siguiente para mantener la frescura de la lavadora

- Use solamente un detergente de alto rendimiento (HE).

Limpieza externa

Use un paño suave y húmedo o una esponja para limpiar cualquier derrame. De vez en cuando, limpie el exterior de su lavadora para que se vea como nueva. Use jabón suave y agua. No use productos abrasivos.

Mangueras de admisión de agua

Reemplace las mangueras de entrada después de 5 años de uso para reducir el riesgo de que fallen. Revise periódicamente y cambie las mangueras de entrada si se hallan protuberancias, torceduras, cortes, desgaste o pérdidas de agua.

Cuando reemplace sus mangueras de admisión de agua, anote la fecha de reposición en la etiqueta con un marcador permanente.

Cuidado durante las vacaciones, el almacenamiento y las mudanzas

Instale y guarde su lavadora en un lugar donde no se congele. Debido a que queda un poco de agua en las mangueras, el congelamiento de la misma podría dañar su lavadora. Si va a guardar o trasladar su lavadora durante una temporada de invierno riguroso, acondiciónela para el invierno.

Cuidado durante las vacaciones y períodos sin uso:

Ponga a funcionar su lavadora únicamente cuando esté en casa. Si va a salir de vacaciones o no va a usar la lavadora durante un período prolongado de tiempo usted debe:

- Desenchufar la lavadora o desconectar el suministro de energía.
- Interrumpir el suministro de agua a la lavadora. Esto ayuda a evitar inundaciones accidentales (debido a aumentos en la presión del agua) en ausencia suya.

Para acondicionar la lavadora para el invierno:

1. Cierre ambos grifos de agua.
2. Desconecte y elimine el agua de las mangueras de admisión de agua.
3. Vierta un litro (1 L) de anticongelante tipo R.V. en la canasta.
4. Ponga a funcionar la lavadora en el ajuste de Enjuague y Exprimido (Rinse & Spin) por unos 30 segundos para mezclar el anticongelante y el agua.
5. Desenchufe la lavadora o desconecte el suministro de energía.

Para volver a usar la lavadora:

1. Deje correr el agua por los tubos y las mangueras. Vuelva a conectar las mangueras de entrada de agua. Abra ambos grifos de agua.

⚠ ADVERTENCIA



Peligro de Choque Eléctrico

Conecte a un contacto de pared de conexión a tierra de 3 terminales.

No quite la terminal de conexión a tierra.

No use un adaptador.

No use un cable eléctrico de extensión.

No seguir estas instrucciones puede ocasionar la muerte, incendio o choque eléctrico.

2. Enchufe la lavadora o reconecte el suministro de energía.
3. Ponga a funcionar la lavadora durante el ciclo Artículos voluminosos/Ropa de cama (Bulky/Bedding) sin prendas, utilizando la 1/2 de la cantidad normal recomendada de detergente para eliminar el anticongelante.

Para transportar la lavadora:

1. Cierre ambos grifos de agua.
2. Desconecte y elimine el agua de las mangueras de admisión de agua.
3. Si va a mover la lavadora durante una temporada de invierno riguroso, coloque 1 cuarto (1 L) de anticongelante tipo R.V. en la canasta. Ponga a funcionar la lavadora en el ajuste de Enjuague y Exprimido (Rinse & Spin) por unos 30 segundos para mezclar el anticongelante y el agua restante.
4. Desconecte y elimine el agua del sistema de drenaje.
5. Desenchufe el cable eléctrico.
6. Coloque las mangueras de admisión en la canasta.
7. Cuelgue el cable eléctrico y la manguera de desagüe sobre el borde y hacia adentro de la canasta.
8. Coloque el anillo de embalaje de espuma de los materiales de empaque originales en la parte superior de la lavadora. Si no cuenta con el anillo de empaque de espuma original, coloque sábanas gruesas, toallas, etc. en la abertura de la canasta. Cierre la tapa y ponga un trozo de cinta sobre la tapa y hacia el frente de la lavadora.

Para volver a instalar la lavadora

1. Siga las "Instrucciones de instalación" para ubicar, nivelar y conectar la lavadora.
2. Ponga a funcionar la lavadora durante el ciclo Artículos voluminosos/Ropa de cama (Bulky/Bedding) sin prendas, utilizando la 1/2 de la cantidad normal recomendada de detergente para eliminar el anticongelante, en caso de haberse utilizado.

SOLUCIÓN DE PROBLEMAS

En primer lugar, pruebe las soluciones sugeridas aquí y posiblemente se evite el gasto de una llamada de servicio técnico...

Lavadora y componentes

La lavadora muestra mensajes codificados

■ LF "LF" (La lavadora tarda demasiado en llenarse)

Verifique lo siguiente:

¿Están retorcidas u obstruidas las mangueras de entrada del agua?

¿Están despejados los filtros de la válvula de entrada del agua?

Presione STOP (Detener) para despejar la pantalla.

■ Ld "Ld" (La lavadora tarda demasiado para desaguar el agua de la tina de lavado)

Verifique lo siguiente:

¿Está retorcida u obstruida la manguera de desagüe?

¿Se ha instalado debidamente la manguera de desagüe? Vea "Conexión de la manguera de desagüe". Presione STOP (Detener) para despejar la pantalla.

■ uL "uL" (Carga desequilibrada)

Si la carga está desequilibrada, la lavadora mostrará este código mientras pone en funcionamiento una rutina de corrección de carga desequilibrada al final del ciclo de lavado y antes del exprimido final. Si el código permanece y el cuadrante del ciclo de lavado está destellando después de que haya finalizado la rutina de recuperación, abra la tapa y redistribuya la carga. Cierre la tapa y presione Inicio (START).

■ oL "oL" (Sobrecarga)

¿Está sobrecargada la lavadora? La lavadora ha intentado llenarse y comenzar el ciclo de lavado. Si la lavadora está sobrecargada, drenará el agua y el detergente que se haya agregado durante el llenado. Para corregir la sobrecarga, quite varios artículos y agregue detergente. Cierre la tapa y presione Inicio (START).

■ Sd "Sd" (Espuma detectada)

¿Ha usado detergente común?

No se recomienda para esta lavadora los detergentes comunes o para lavar a mano. Use solamente un detergente de alto rendimiento ("HE").



■ **¿Agregó demasiado detergente?**

Siempre mida el detergente. Siga las indicaciones del fabricante del detergente.

Si se detecta la presencia de exceso de espuma, la lavadora mostrará este código mientras pone en funcionamiento una rutina de corrección para reducir la espuma al final del ciclo de lavado. La rutina de reducción de espuma quita la espuma excedente y asegura el enjuague apropiado de sus prendas. Si el código permanece y el cuadrante del ciclo de lavado está destellando después de que haya finalizado la rutina de recuperación, vuelva a seleccionar el ciclo deseado utilizando agua fría. Presione Inicio (START). No agregue detergente.

■ **Li “lid” (Tapa abierta)**

¿Está abierta la tapa? Cierre la tapa para despejar la pantalla. Si la tapa permanece abierta durante más de 10 minutos, el agua en la tina de la lavadora se escurrirá.

■ **H_L “HC” (Se invirtieron las mangueras de agua caliente y de agua fría)**

Este código aparece al final del ciclo de lavado para indicar que las mangueras de entrada de agua fría y de agua caliente están invertidas. Vea “Conexión de las mangueras de entrada”.

■ **d_L “dL” (La puerta/tapa no puede trabarse)**

Indica que la tapa no está trabada. Controle si hay prendas trabadas en la tapa que impiden que ésta cierre. Oprima Detener (STOP) una vez para despejar el código.

■ **d_U “dU” (La puerta/tapa no se puede destrabar)**

¿Hay peso excesivo en la tapa, como ser una canasta de ropa para lavar? El peso excesivo evitará que la tapa se destrabe. Oprima Detener (STOP) una vez para despejar el código.

■ **F₋₋₋ Código “F##”**

Oprima Detener (STOP) una vez para despejar el código. Presione Inicio (START). Si el código aparece nuevamente, llame al servicio técnico.

Ruidosos, vibrantes, desequilibrados

■ **¿Está nivelada la lavadora? ¿La lavadora se balancea al empujarla contra las esquinas?**

La lavadora debe estar nivelada. Las patas frontales y posteriores deben estar firmemente apoyadas en el piso. Verifique que las contratueras estén ajustadas. Vea “Nivelación de la lavadora”.

■ **¿El piso está combado, doblado o desnivelado?**

Un piso que está combado o desnivelado puede contribuir a que la lavadora haga ruido y vibre. Los sonidos se pueden reducir colocando una madera laminada de ¾" (1,9 cm) debajo de la lavadora. Vea “Requisitos de ubicación”.

■ **¿Está la carga equilibrada?**

Distribuya la carga uniformemente en la canasta de la lavadora y asegúrese de que la altura de la carga no supere la línea superior de orificios de la canasta. Vea “Puesta en marcha de la lavadora”.

■ **¿Escucha chasquidos u otros ruidos cuando el ciclo cambia de lavado a desagüe o exprimido?**

Cuando la caja de engranajes cambia de velocidad o la canasta de la lavadora se detiene entre ciclos es posible que escuche ruidos distintos de los de su lavadora anterior. Estos ruidos de la lavadora son normales.

■ **¿La lavadora produce un gorgoteo o zumbido?**

Cuando la lavadora desagua, la bomba generará un zumbido continuo con sonidos de gorgoteo periódicos a medida que se quitan las últimas cantidades de agua. Esto es normal.

■ **¿Está lavando una carga pequeña?**

Se escucharán más sonidos de salpicado cuando lave cargas pequeñas. Esto es normal.

■ **La canasta de la lavadora se mueve durante el lavado.**

Esto es normal.

■ **¿Puede escuchar el rociado del agua?** Esta es parte de la acción de lavado.

■ **¿Está lavando artículos con broches metálicos a presión, hebillas o zípers?**

Usted podrá escuchar el ruido producido por los artículos al tocar la canasta. Esto es normal.

■ **¿Ha seleccionado el ciclo de artículos voluminosos/ropa de cama (Bulky/Bedding)?**

Use el ciclo de artículos voluminosos/ropa de cama solamente para los artículos de tamaño grande no absorbentes, tales como edredones, almohadas o chaquetas rellenas con poliéster. Otros artículos crearán una carga desequilibrada en este ciclo.

La lavadora pierde agua

■ **¿Están ajustadas las mangueras de llenado?**

■ **¿Están debidamente colocadas las arandelas de las mangueras de llenado?**

Controle ambos extremos de cada manguera. Vea “Conexión de las mangueras de entrada”.

■ **¿Ha jalado la manguera de desagüe del gabinete de la lavadora y la ha instalado en un tubo vertical o un lavadero?**

Se debe jalar la manguera de desagüe del gabinete de la lavadora y asegurarla a un tubo de desagüe o lavadero. Vea “Conecte la manguera de desagüe” y “Fijación de la manguera de desagüe”.

■ **¿Está obstruido el lavadero o el desagüe?**

El lavadero y el tubo de desagüe deberán tener la capacidad de desplazar 17 gal. (64 L) de agua por minuto. Si el lavadero o el tubo de desagüe están obstruidos o lentos, el agua puede subir y salir por el tubo de desagüe o el lavadero.

■ **¿Está salpicando el agua fuera del aro del tambor o de la carga?**

La carga de lavado deberá estar equilibrada y no sobrecargada. Si la carga de lavado está desequilibrada o sobrecargada, el agua de entrada puede desviarse de la carga.

■ **¿Está la lavadora instalada adecuadamente?**

La lavadora debe estar nivelada. Las patas deben estar debidamente instaladas y las tuercas ajustadas. Vea “Nivelación de la lavadora”.

■ **¿Se interrumpió el ciclo y luego se seleccionó la opción de Tratamiento de manchas?**

La opción de Tratamiento de manchas debe iniciarse solamente con una carga seca. No debe seleccionarse la opción de Tratamiento de manchas después de que la lavadora ha comenzado a llenarse.

■ **¿Ha seleccionado la opción de tratamiento de manchas (Stain Treat) y ha usado un detergente para lavar a mano?**

No se recomienda para esta lavadora los detergentes comunes o para lavar a mano. Use solamente un detergente de alto rendimiento (“HE”).



- **Revise la plomería de la casa (tinajas de lavadero, grifos, tubo de desagüe, tuberías de agua) y fíjese si hay fugas de agua.**

Funcionamiento del depósito

- **¿Se han colocado los aditivos de lavandería en los depósitos apropiados?**
Agregue las cantidades adecuadas de detergente (en polvo o líquido), blanqueador líquido con cloro o suavizante de telas al depósito apropiado. Puede agregar blanqueador en polvo o blanqueador líquido no decolorante en el depósito de detergente. Asegúrese de combinar el blanqueador en polvo no decolorante con el detergente en polvo o de combinar el blanqueador líquido no decolorante con el detergente líquido. Use solamente blanqueador con cloro líquido en el depósito para el blanqueador.
- **¿Queda agua en el fondo del depósito? ¿Se ha desagüado debidamente el depósito?**
Al final del ciclo, puede quedar una pequeña cantidad de agua en el depósito. Esto es normal.

Funcionamiento de la lavadora

⚠ ADVERTENCIA



Peligro de Choque Eléctrico

Conecte a un contacto de pared de conexión a tierra de 3 terminales.

No quite la terminal de conexión a tierra.

No use un adaptador.

No use un cable eléctrico de extensión.

No seguir estas instrucciones puede ocasionar la muerte, incendio o choque eléctrico.

La lavadora no se llena, ni enjuaga ni agita; la lavadora se detiene

- **¿Está el cable eléctrico enchufado en un tomacorriente de 3 terminales con conexión a tierra?**
Conecte a un contacto de pared de conexión a tierra de 3 terminales.
- **¿Está usando un cable eléctrico de extensión?**
No use un cable eléctrico de extensión.
- **¿Hay corriente en el enchufe?**
Revise la fuente de electricidad o llame a un electricista.
- **¿Está el indicador de la perilla del control de ciclos debidamente alineado con un ciclo?**
Gire la perilla de control de ciclos ligeramente a la derecha.
- **¿Están obstruidos los filtros de la válvula de entrada del agua?**
Cierre el agua y quite las mangueras de entrada de la lavadora. Saque cualquier película o partículas que se hayan acumulado. Vuelva a instalar las mangueras, abra el agua y revise si hay fugas de agua.

- **¿Están abiertas las llaves del agua caliente y del agua fría?**
Abra el agua.
- **¿Está retorcida la manguera de entrada del agua?**
Enderece las mangueras.
- **¿Parece que el nivel del agua está demasiado bajo, o parece que la lavadora no se llena por completo?**
La característica de Nivel automático de agua detecta el tamaño de la carga y agrega la cantidad correcta de agua para el tamaño de la carga. Puede notar durante un ciclo que la carga de la lavadora no está completamente sumergida en el agua. Esto es normal y es necesario para que la ropa se mueva.
- **¿Hay un fusible de la casa fundido o se disparó el cortacircuitos?**
Reemplace el fusible o reposicione el cortacircuitos. Si el problema continúa, llame a un electricista.
- **¿Está la lavadora en una pausa normal en el ciclo?**
La lavadora puede hacer una pausa durante ciertos ciclos. Deje continuar el ciclo.
- **¿Está sobrecargada la lavadora?**
Lave cargas más pequeñas. Vea "Puesta en marcha de su lavadora" para informarse sobre el tamaño máximo de carga.
- **¿Hay exceso de espuma?**
Cancele el ciclo actual. Oprima Enjuague/desagüe y exprimido (RINSE/DRAIN & SPIN) para escurrir la carga. Vuelva a seleccionar el ciclo deseado y presione START. No agregue detergente. Emplee agua fría.
- **¿Está abierta la tapa?**
La tapa debe estar cerrada durante el funcionamiento. La lavadora no funcionará con la tapa abierta.
- **¿Agregó más prendas a la carga una vez que puso en funcionamiento la lavadora?**
Una vez que la carga está mojada, puede parecer que hay lugar para más prendas. No agregue más de 1 ó 2 prendas una vez que se inició el ciclo. Para óptimos resultados determine el tamaño de la carga con prendas secas solamente.

La lavadora continúa llenando o desagüando, o el ciclo parece estar atascado

- **¿Está la parte superior de la manguera de desagüe más baja que las perillas de control en la lavadora?**
La parte superior de la manguera de desagüe debe estar a una altura mínima de 39" (99 cm) sobre el piso. Vea "Sistema de desagüe".
- **¿La manguera de desagüe encaja de manera forzada en el tubo vertical o está adherida con cinta al tubo vertical?**
La manguera de desagüe debe estar floja pero debe encajar bien. No selle la manguera de desagüe con cinta adhesiva. La manguera necesita una abertura para el flujo de aire. Vea "Instrucciones de instalación".

La lavadora no desagua ni exprime; el agua queda en la lavadora

- **¿Está obstruida la manguera de desagüe, o el extremo de la manguera de desagüe está a más de 96" (244 cm) por encima del piso?**
Vea "Sistema de desagüe".
- **¿Está abierta la tapa?**
La tapa debe estar cerrada durante el funcionamiento. La lavadora no funcionará con la tapa abierta.

■ **¿Hay demasiada espuma?**

Siempre mida el detergente. Siga las indicaciones del fabricante del detergente. Si tiene agua muy suave, quizás necesite usar menos detergente. Use solamente un detergente de alto rendimiento ("HE").



Temperatura de Lavado/Enjuague

■ **¿Se han invertido las mangueras de entrada del agua caliente y del agua fría?**

Si se invierten las mangueras de entrada de agua caliente y de agua fría, un código de error "HC" aparecerá en la pantalla de la lavadora al final del ciclo. Vea "Conexión de las mangueras de entrada".

■ **¿Está lavando muchas cargas?**

A medida que aumente la frecuencia de lavado de las cargas, es posible que disminuya la temperatura para las selecciones de temperatura de agua caliente y tibia. Esto es normal.

■ **¿Ha seleccionado Ahorro extra de energía (Save Energy Plus)?**

La opción de ahorro extra de energía (Save Energy Plus) reduce las temperaturas de lavado y enjuague para ahorrar energía. Esta opción debe seleccionarse antes del comienzo del ciclo. La opción de ahorro extra de energía está disponible únicamente en los ciclos Lavado intenso y Blancos blanquísimos.

■ **¿Tiene usted una lavadora ENERGY STAR?**

Las temperaturas del agua de lavado pueden parecer más frías que las de su lavadora anterior. Esto es normal.

■ **¿La temperatura del agua de lavado parece más fría que de costumbre?**

A medida que el lavado progresa, la temperatura de lavado disminuirá ligeramente en lavados con agua caliente y tibia. Esto es normal.

Para reducir las arrugas, el enjuague con agua tibia ha sido regulado para que sea más frío que el lavado con agua tibia.

Exceso de espuma

■ **¿Ha usado detergente que no sea de alto rendimiento HE?**

No se recomienda para esta lavadora los detergentes comunes o para lavar a mano. Use solamente un detergente de alto rendimiento ("HE").



■ **¿Hay demasiada espuma?**

Siempre mida el detergente. Siga las indicaciones del fabricante del detergente. Si tiene agua muy suave, quizás necesite menos detergente.

■ **¿Se interrumpió el ciclo y luego se seleccionó la opción Tratamiento de manchas?**

La opción Tratamiento de manchas debe iniciarse solamente con una carga seca. No debe seleccionarse la opción de Tratamiento de manchas después de que la lavadora ha comenzado a llenarse.

El ciclo no puso en marcha la opción de Tratamiento de manchas.

■ **¿Ha seleccionado la opción de Tratamiento de manchas?**

La opción de Tratamiento de manchas debe ser seleccionada para que un ciclo de lavado la incluya. La opción de Tratamiento de manchas debe iniciarse solamente en una carga seca. No debe seleccionarse la opción de Tratamiento de manchas después de que la lavadora ha comenzado a llenarse.

- La opción de Tratamiento de manchas es un opción por defecto en el ciclo de Lavado intenso (Heavy Duty) y puede ser agregada a otros ciclos.

Cuidado de la ropa

Ropa demasiado mojada

■ **¿Ha empleado el ciclo correcto para la carga que está lavando?**

Seleccione un ciclo con una velocidad de exprimido más rápida.

■ **¿Ha usado un enjuague con agua fría?**

Los enjuagues con agua fría dejan las cargas más mojadas que los enjuagues con agua tibia. Esto es normal.

■ **¿Ha lavado una carga muy grande?**

Una gran carga desequilibrada puede derivar en una menor velocidad de exprimido y ropa húmeda al final del ciclo. Distribuya la carga uniformemente y asegúrese de que la altura de la carga no supere la línea superior de orificios de la canasta.

Residuos o pelusa en la ropa

■ **¿Ha agregado detergente en el depósito?**

Para obtener óptimos resultados, use el depósito para disolver el detergente.

■ **¿Ha separado la ropa adecuadamente?**

Separe las prendas que sueltan pelusa (toallas, felpilla) de las que atraen pelusa (pana, artículos sintéticos). También separe por color.

■ **¿Ha sobrecargado la lavadora?**

La carga debe estar equilibrada y no sobrecargada. La ropa debe moverse con libertad. Si la lavadora está sobrecargada, la pelusa o el detergente en polvo pueden quedar adheridos a las prendas. Lave cargas más pequeñas. Vea "Puesta en marcha de su lavadora" para informarse sobre el tamaño máximo de carga.

■ **¿Ha usado suficiente detergente?**

Siga las indicaciones del fabricante del detergente. Use suficiente detergente para mantener la pelusa en el agua.

■ **¿Ha secado la ropa en el tendedero?**

Si es así, es posible que quede algo de pelusa en la ropa. El movimiento del aire y la rotación de la secadora quitan la pelusa de la carga.

■ **¿Se dejó papel o pañuelo de papel en los bolsillos?**

■ **¿Está la temperatura del agua por debajo de los 60°F (15,6°C)?**

El agua de lavado con una temperatura inferior a 60°F (15,6°C) quizás no disuelva por completo el detergente.

■ **¿Ha usado el Nivel de suciedad y el Ciclo de lavado apropiados para la carga?**

Otra manera de reducir la formación de pelusa es reducir el tiempo (la duración) del lavado y la velocidad de agitación.

- **¿Ha agregado detergente en el depósito?**
Para obtener óptimos resultados, use el depósito para disolver el detergente.

La ropa está arrugada, enroscada o enredada

- **¿Ha descargado la lavadora con rapidez?**
Descargue la lavadora tan pronto como se detenga.
- **¿Ha empleado el ciclo correcto para la carga que está lavando?**
Para reducir las posibilidades de que la ropa se arrugue, enrede o enrosque, seleccione un ciclo con bajas velocidades de lavado y exprimido, como ser Ropa delicada (Delicate) o Informal/Sin arrugas (Casual/Wrinkle Free).
- **¿Ha sobrecargado la lavadora?**
La carga debe estar equilibrada y no sobrecargada. Las prendas deben moverse con facilidad durante el lavado para reducir las posibilidades de que la ropa se arrugue, enrosque y enrede.
- **¿Estaba el agua de lavado lo suficientemente tibia para suavizar las arrugas?**
Si no va a afectar las prendas, use agua tibia o caliente para el lavado. Para el enjuague, emplee agua fría.
- **¿Se han invertido las mangueras del agua caliente y del agua fría?**
Cerciórese de que las mangueras de agua caliente y de agua fría estén conectadas a las llaves correctas. Si se invierten las mangueras de entrada de agua caliente y de agua fría, un código de error "HC" aparecerá en la pantalla de la lavadora al final del ciclo. Vea "Conexión de las mangueras de entrada". Un enjuague con agua caliente seguido de un exprimido producirá arrugas.

Manchas, ropa blanca percutida, colores opacos

- **¿Ha separado la ropa adecuadamente?**
Siempre que mezcle ropa blanca y de color en una carga puede ocurrir una transferencia de tintes. Separe las prendas de color oscuro de las blancas y claras.
- **¿Estaba la temperatura del agua demasiado baja?**
Para lavar use agua caliente o tibia que no afecte la ropa. Cerciórese de que el sistema de agua caliente sea el adecuado para proveer un lavado con agua caliente.
- **¿Ha usado suficiente detergente, o tiene agua dura?**
Use más detergente cuando lave prendas con suciedad rebelde en agua fría o dura. La temperatura del agua debe estar por lo menos a 60°F (15,6°C) para disolver el jabón y trabajar adecuadamente. Para un óptimo rendimiento, utilice la cantidad de detergente recomendada por el fabricante.
- **¿Ha seguido las instrucciones del fabricante al agregar detergente y suavizante de telas?**
Mida el detergente y el suavizante de telas. Use suficiente detergente para quitar la suciedad y mantenerla en suspensión. Diluya el suavizante de telas y agréguelo solamente en la porción de enjuague del ciclo. No deje escurrir el suavizante de telas sobre la ropa.

- **¿Hay hierro (óxido) por encima del promedio en el agua?**
Tal vez necesite instalar un filtro de óxido ferroso.
- **¿Ha agregado detergente en el depósito?**
Para obtener óptimos resultados, use el depósito para disolver el detergente.
- **¿Ha agregado el suavizante de telas directamente a la carga?**
Use el depósito del suavizante de telas. No deje escurrir el suavizante de telas sobre la ropa.
- **¿Ha usado una bola con suavizante de telas?**
Use el depósito para suavizante de telas provisto con la lavadora. Las bolas que distribuyen suavizante de telas no funcionan correctamente en esta lavadora.
- **¿Ha descargado la lavadora con rapidez?**
Para evitar la transferencia de tintes, descargue la lavadora tan pronto como se detenga.
- **¿Ha agregado detergente, blanqueador con cloro o suavizante de telas demasiado tarde en el ciclo?**
Se debe agregar el detergente, el blanqueador con cloro y el suavizante de telas en los depósitos antes de que comience la lavadora.
- **¿Ha usado el ciclo de lavado expreso (Express Wash) para una carga voluminosa?**
El lavado expreso está diseñado para lavar solamente unas pocas prendas con resultados óptimos.

Prendas dañadas

- **¿Se han quitado los artículos puntiagudos de los bolsillos antes del lavado?**
Vacíe los bolsillos, cierre los zípers, los broches de presión y los corchetes antes del lavado para evitar que se enganche y rasgue la carga.
- **¿Se ataron los cordones y fajas para evitar que se enreden?**
Los cordones y fajas pueden enredarse fácilmente en la carga forzando las costuras y produciendo roturas.
- **¿Se dañaron las prendas antes del lavado?**
Remiende lo que esté roto y descosido antes del lavado.
- **¿Ha sobrecargado la lavadora?**
La carga debe estar equilibrada y no sobrecargada. Las prendas deben moverse con facilidad durante el lavado.
- **¿Ha agregado correctamente el blanqueador con cloro?**
No vierta el blanqueador con cloro directamente en la carga. Limpie los derrames del blanqueador. El blanqueador no diluido daña los tejidos. No coloque los artículos sobre el depósito del blanqueador cuando ponga o quite la ropa de la lavadora (en algunos modelos). No use más de la cantidad recomendada por el fabricante para una carga completa.
- **¿Ha seguido las instrucciones de la etiqueta de cuidado proporcionadas por el fabricante de la prenda?**

TABLE DES MATIÈRES

CONTRATS DE PROTECTION	50
Aux États-Unis	50
Au Canada	51
GARANTIE	51
SÉCURITÉ DE LA LAVEUSE	52
EXIGENCES D'INSTALLATION	53
Outillage et pièces	53
Exigences d'emplacement	54
Système de vidange	54
Spécifications électriques	55
INSTRUCTIONS D'INSTALLATION	56
Avant de commencer	56
Retrait de la base d'expédition et de l'anneau d'emballage	56
Raccordement du tuyau de vidange	56
Raccordement des tuyaux d'alimentation	57
Immobilisation du tuyau de vidange	58
Réglage de l'aplomb de la laveuse	58
Achever l'installation	59
AVANTAGES ET CARACTÉRISTIQUES	60
UTILISATION DE LA LAVEUSE	61
Mise en marche de la laveuse	61
Utilisation du détergent approprié	61
Pause ou remise en marche de la laveuse	62
Arrêt de la laveuse	63
Changement des programmes, modificateurs et options	63
Témoins lumineux	63
Programmes	64
Modificateurs	66
Options	67
Fonctionnement des commandes	68
Sons normaux	68
CONSEILS DE LESSIVAGE	69
ENTRETIEN DE LA LAVEUSE	69
Nettoyage de la laveuse	69
Tuyaux d'arrivée d'eau	70
Précautions à prendre avant les vacances, un entreposage ou un déménagement	70
DÉPANNAGE	71
NUMÉROS DE SERVICE	COUVERTURE ARRIÈRE

CONTRATS DE PROTECTION

Aux États-Unis

Contrats principaux de protection

Nous vous félicitons d'avoir fait un achat judicieux. Votre nouveau produit Kenmore® est conçu et fabriqué pour vous procurer des années de fonctionnement fiable. Mais comme pour tous les produits, il pourra à l'occasion nécessiter un entretien préventif ou une réparation. Le cas échéant, un Contrat principal de protection peut vous épargner de l'argent et des soucis.

Souscrivez dès maintenant un Contrat principal de protection et protégez-vous contre les dépenses et ennuis inattendus.

Le Contrat principal de protection contribue aussi à prolonger la vie utile de votre nouveau produit. Voici ce qui est inclus dans le contrat :

- ✓ **Service expert** par nos 12 000 réparateurs professionnels
- ✓ **Service illimité et sans frais** pour les pièces et la main-d'œuvre pour toutes les réparations couvertes
- ✓ **Garantie "Anti-citron"** - remplacement de votre produit couvert si quatre pannes ou plus se produisent en deçà de douze mois
- ✓ **Remplacement du produit** si votre produit couvert ne peut être réparé
- ✓ **Vérification annuelle d'entretien préventif** sur demande - sans frais supplémentaires
- ✓ **Aide rapide au téléphone** - assistance téléphonique fournie par un technicien de Sears pour les produits réparables à domicile, plus un horaire de réparation commode
- ✓ **Protection contre les sautes de puissance** pour prévenir les dommages attribuables aux fluctuations de courant
- ✓ **Remboursement de location** si la réparation prend plus de temps que promis

Dès que vous souscrivez le Contrat, il suffit d'un simple appel téléphonique pour obtenir un rendez-vous de service. Vous pouvez appeler en tout temps jour et nuit ou prendre un rendez-vous de service en ligne.

Sears compte plus de 12 000 réparateurs professionnels qui ont accès à plus de 4,5 millions de pièces et accessoires de qualité. C'est le genre de professionnalisme sur lequel vous pouvez compter pour aider à prolonger la vie de votre nouvel achat pendant des années. Achetez votre Contrat principal de protection aujourd'hui même!

Certaines limitations et exclusions s'appliquent. Pour des prix et renseignements supplémentaires, composer le 1-800-827-6655.

Service d'installation Sears

Pour l'installation professionnelle par Sears d'appareils ménagers, d'ouvre-portes de garage, de chauffe-eau et d'autres articles importants de la maison, aux É.-U. composer le **1-800-4-MY-HOME®**.

Au Canada

Contrats d'entretien

Votre achat a plus de valeur parce que vous pouvez compter sur Sears HomeCentral® pour le service. Avec plus de 2400 spécialistes formés et l'accès à plus d'un million de pièces et accessoires, nous avons les outils et les pièces ainsi que les connaissances et compétences pour remplir cette promesse que nous vous faisons : Nous assurons le service de nos produits.

Votre produit Kenmore® est conçu, fabriqué et vérifié pour qu'il puisse vous fournir de nombreuses années de service en toute confiance. Cependant, tout produit peut nécessiter des interventions de service de temps à autre. Le contrat d'entretien Sears vous offre un programme de service remarquable à un prix abordable.

Le contrat d'entretien Sears

- Constitue une manière d'acheter un service pour demain au prix d'aujourd'hui
- Élimine les factures pour les réparations imputables à l'usure normale
- Fournit un support téléphonique assuré par un technicien de chez Sears pour les produits nécessitant une réparation à domicile
- Même si vous n'avez pas besoin de réparations, comprend une inspection annuelle d'entretien préventif (sur votre demande) pour maintenir votre appareil en bon état de fonctionnement.

Certaines limitations s'appliquent. Pour plus de renseignements concernant les contrats d'entretien de Sears Canada, composer le 1-800-361-6665.

GARANTIE DES APPAREILS MÉNAGERS KENMORE ELITE®

GARANTIE LIMITÉE DE UN AN

Lorsqu'il est installé, utilisé et entretenu conformément à toutes les instructions fournies avec le produit, si cet appareil ménager fait défaut par suite d'un vice de matériau ou de fabrication au cours de l'année qui suit la date d'achat, composer le 1-800-4-MY-HOME® pour obtenir une réparation gratuite.

GARANTIE LIMITÉE DE DIX ANS SUR LE TAMBOUR EN ACIER INOXYDABLE ET LA CUVE EN PLASTIQUE

Pendant dix ans à compter de la date d'achat, lorsque cette laveuse est installée, utilisée et entretenue conformément à toutes les instructions fournies avec le produit, Sears remplacera le tambour en acier inoxydable et/ou la cuve en plastique s'il existe des défauts de matériaux ou de main-d'œuvre. Après la première année, le client assume tous les frais de main-d'œuvre associés au remplacement de ces pièces.

Si cet appareil ménager fonctionne à toute autre fin que l'utilisation familiale privée, la présente garantie ne s'appliquera que pendant 90 jours à partir de la date d'achat.

LA PRÉSENTE GARANTIE COUVRE UNIQUEMENT LES VICES DE MATÉRIAUX ET DE FABRICATION. SEARS NE PAIERA PAS POUR :

1. Les pièces courantes qui peuvent s'user suite à une utilisation normale, notamment les filtres, courroies, ampoules et sacs.
2. L'intervention d'un technicien pour montrer à l'utilisateur comment installer, utiliser et entretenir correctement le produit.
3. L'intervention d'un technicien pour nettoyer ou entretenir ce produit.
4. L'endommagement ou les défauts du produit si celui-ci n'est pas installé, utilisé ou entretenu conformément à toutes les instructions fournies avec le produit.
5. L'endommagement ou les défauts du produit résultant d'accident, usage impropre ou abusif ou utilisation autre que pour laquelle il est destiné.
6. L'endommagement ou les défauts du produit causés par l'utilisation de détergents, agents de nettoyage, produits chimiques ou ustensiles autres que ceux recommandés dans toutes les instructions fournies avec le produit.
7. L'endommagement ou les défauts des pièces ou systèmes résultant d'une modification non autorisée faite au produit.

CLAUSE D'EXONÉRATION DE RESPONSABILITÉ AU TITRE DES GARANTIES IMPLICITES; LIMITATION DES RECOURS

Le seul et exclusif recours du client dans le cadre de la présente garantie limitée consiste en la réparation prévue ci-dessus. Les garanties implicites, y compris les garanties applicables de qualité marchande et d'aptitude à un usage particulier, sont limitées à un an ou à la plus courte période autorisée par la loi. Sears n'assume aucune responsabilité pour les dommages fortuits ou indirects. Certains États ou certaines provinces ne permettent pas l'exclusion ou la limitation des dommages fortuits ou indirects, ou la limitation de la durée des garanties implicites de qualité marchande ou d'aptitude à un usage particulier, de sorte que cette exclusion ou limitation peut ne pas être applicable dans votre cas.

Cette garantie s'applique seulement lorsque cet appareil ménager est utilisé aux États-Unis et au Canada.

Cette garantie vous confère des droits juridiques spécifiques et vous pouvez également jouir d'autres droits qui peuvent varier d'un État à l'autre.

Sears, Roebuck and Co.
Dept. 817WA, Hoffman Estates, IL 60179
Sears Canada Inc.
Toronto, Ontario, Canada M5B 2B8

ENREGISTREMENT DU PRODUIT

Dans l'espace ci-dessous, inscrire les numéros de modèle et de série complets et la date d'achat. Vous trouverez ces renseignements sur la plaque signalétique située sur le produit.

Gardez ces renseignements à disposition pour obtenir plus rapidement assistance ou service lorsque vous communiquez avec Sears au sujet de votre appareil ménager.

Numéro de modèle _____

Numéro de série _____

Date d'achat _____

**Conservez ces instructions et votre reçu de vente pour
référence ultérieure.**

SÉCURITÉ DE LA LAVEUSE

Votre sécurité et celle des autres est très importante.

Nous donnons de nombreux messages de sécurité importants dans ce manuel et sur votre appareil ménager. Assurez-vous de toujours lire tous les messages de sécurité et de vous y conformer.



Voici le symbole d'alerte de sécurité.

Ce symbole d'alerte de sécurité vous signale les dangers potentiels de décès et de blessures graves à vous et à d'autres.

Tous les messages de sécurité suivront le symbole d'alerte de sécurité et le mot "DANGER" ou "AVERTISSEMENT". Ces mots signifient :

⚠ DANGER

Risque possible de décès ou de blessure grave si vous ne suivez pas immédiatement les instructions.

⚠ AVERTISSEMENT

Risque possible de décès ou de blessure grave si vous ne suivez pas les instructions.

Tous les messages de sécurité vous diront quel est le danger potentiel et vous disent comment réduire le risque de blessure et ce qui peut se produire en cas de non-respect des instructions.

IMPORTANTES INSTRUCTIONS DE SÉCURITÉ

AVERTISSEMENT : Pour réduire les risques d'incendie, de choc électrique ou de blessures lors de l'utilisation de la laveuse, suivre les précautions fondamentales dont les suivantes :

- Lire toutes les instructions avant d'utiliser la laveuse.
- Ne pas laver des articles qui ont été nettoyés ou lavés avec de l'essence ou imbibés d'essence, solvants de nettoyage à sec, ou autres substances inflammables ou explosives; ces substances peuvent émettre des vapeurs susceptibles de s'enflammer ou d'exploser.
- Ne pas ajouter d'essence, solvant de nettoyage à sec ou autre produit inflammable ou explosif dans l'eau de lavage. Ces substances peuvent émettre des vapeurs susceptibles de s'enflammer ou d'exploser.
- Dans certaines conditions, de l'hydrogène gazeux peut se former dans un circuit d'eau chaude qui n'a pas été utilisé pendant 2 semaines ou plus. LE GAZ HYDROGÈNE EST EXPLOSIBLE. Si le circuit d'eau chaude n'a pas été utilisé pendant une telle période, avant d'utiliser la laveuse, ouvrir tous les robinets d'eau chaude et laisser l'eau s'écouler pendant plusieurs minutes par chaque robinet. Ceci permettra l'évacuation de l'hydrogène gazeux accumulé. Comme ce gaz est inflammable, ne pas fumer ou utiliser une flamme nue au cours de cette période.
- Ne pas laisser des enfants jouer sur ou à l'intérieur de la laveuse. Bien surveiller les enfants lorsque la laveuse est utilisée à proximité d'enfants.
- Avant de mettre la laveuse au rebut ou hors de service, enlever la porte ou le couvercle.
- Ne pas tenter d'atteindre un article à l'intérieur de la cuve de la laveuse lorsque le tambour, la cuve ou l'agitateur est en mouvement.
- Ne pas installer ou remiser cette laveuse à un endroit où elle serait exposée aux intempéries.
- Ne pas modifier les organes de commande.
- Ne pas réparer ou remplacer un composant quelconque de la laveuse, ni entreprendre une opération de service, si ce n'est spécifiquement recommandé dans ce manuel ou dans un manuel d'instructions de réparations destiné à l'utilisateur; il est alors essentiel que la personne concernée comprenne ces instructions et soit compétente pour les exécuter.
- Voir "Spécifications électriques" pour les instructions de liaison à la terre.

CONSERVEZ CES INSTRUCTIONS

EXIGENCES D'INSTALLATION

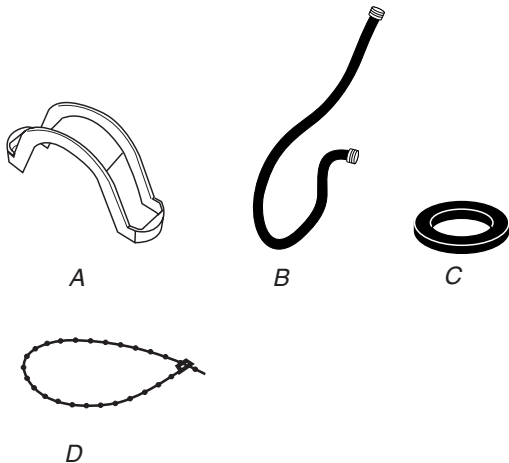
Outillage et pièces

Rassembler les outils et pièces nécessaires avant de commencer l'installation. Les pièces fournies se trouvent dans le panier de la laveuse.

Outils nécessaires au raccordement du tuyau de vidange et des tuyaux d'arrivée d'eau :

- Pince - ouverture jusqu'à 1 $\frac{1}{16}$ " (3,95 cm)
- Lampe torche (facultative)

Pièces fournies :



- A. Bride de retenue pour tuyau de vidange
B. Tuyaux d'admission d'eau (2)
C. Rondelles plates pour tuyau d'arrivée d'eau (4)
D. Attache de fixation perlée

Outils nécessaires à l'immobilisation du tuyau de vidange et au réglage de l'aplomb de la laveuse :

- Clé plate ou clé à molette de $\frac{9}{16}$ " (14 mm)
- Cale en bois
- Règle ou mètre ruban
- Niveau

Autres pièces

Les pièces énumérées sont disponibles au magasin Sears local ou au centre de service Sears. Pour plus de renseignements, composer le **1-800-4-MY-HOME® (1-800-469-4663)**.

Si vous avez :	Vous devrez acheter :
Évier de buanderie ou tuyau de rejet à l'égout plus haut que 96" (2,4 m)	Système de pompe de puisard (si non déjà disponible)
Tuyau de rejet à l'égout de 1" (2,5 cm) de diamètre	Un adaptateur de 2" (5 cm) à 1" (2,5 cm) de diamètre pour le tuyau de rejet à l'égout, Pièce numéro 3363920 et un kit de connexion, Pièce numéro 285835
Égout surélevé	Tuyau de vidange standard de 20 gal. (76 L) de 39" (99 cm) de haut ou évier de décharge, pompe de puisard et connecteurs (disponibles chez les vendeurs de matériel de plomberie locaux)
Égout au plancher	Brise-siphon, Pièce numéro 285834, tuyau de vidange supplémentaire, Pièce numéro 8318155 et kit de connexion, Pièce numéro 285835
Robinets d'eau hors d'atteinte des tuyaux d'admission	2 tuyaux d'admission d'eau plus longs : 6 pi (1,8 m) - Pièce numéro 76314, 10 pi (3 m) - Pièce numéro 350008
Évacuation obstruée par de la charpie	Protecteur de canalisation, Pièce numéro 367031

Exigences d'emplacement

Le choix d'un emplacement approprié pour la laveuse en améliore le rendement et réduit au minimum le bruit et le "déplacement" possible de la laveuse.

La laveuse peut être installée dans un sous-sol, une salle de buanderie, un placard ou un encastrement. Voir "Système de vidange".

IMPORTANT : Ne pas installer ou remiser la laveuse dans un endroit où elle sera exposée aux intempéries.

C'est à l'utilisateur qu'incombe la responsabilité de réaliser une installation correcte.

Il vous faudra :

- Un chauffe-eau pour fournir de l'eau à 120°F (49°C) à la laveuse.
- Une prise électrique reliée à la terre située à moins de 4 pi (1,2 m) de la prise du cordon électrique se trouvant à l'arrière de la laveuse. Voir "Spécifications électriques".
- Des robinets d'eau chaude et d'eau froide situés à moins de 3 pi (90 cm) des robinets d'admission d'eau chaude et d'eau froide, et une pression d'eau de 20-100 lb/po² (138-690 kPa) pour un rendement optimal.
- Un plancher de niveau ayant une pente maximale de 1" (2,5 cm) sous l'ensemble de la laveuse. L'installation de la laveuse sur de la moquette n'est pas recommandée.
- Un plancher robuste pour supporter la laveuse dont le poids total (laveuse, eau et charge) est de 315 lb (143 kg).

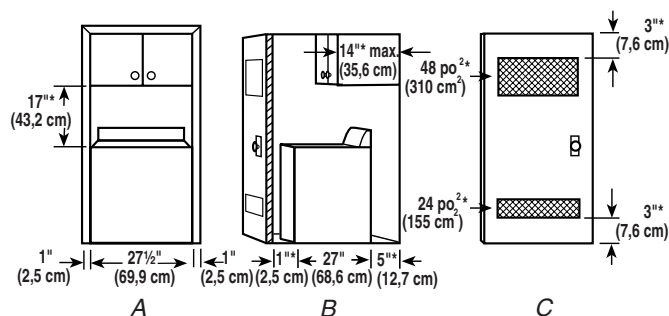
Ne pas remiser ou faire fonctionner la laveuse à des températures inférieures à 32°F (0°C). Une quantité d'eau peut demeurer dans la laveuse et causer des dommages à des températures basses. Voir "Entretien de la laveuse" pour des renseignements sur la préparation de la laveuse pour l'hiver.

Espacement pour une installation dans un encastrement et dans un placard

On recommande les dimensions d'espacement suivantes pour cette laveuse. Cette laveuse a été testée pour une installation avec dégagement de 0" (0 cm) sur les côtés. L'espacement recommandé doit être considéré pour les raisons suivantes :

- Prévoir davantage d'espace pour faciliter l'installation et l'entretien.
- Un espace supplémentaire doit être envisagé de tous les côtés de la laveuse afin de réduire le transfert de bruit.
- Pour installation dans un placard avec porte, on doit prévoir des ouvertures minimums d'entrée d'air en haut et en bas de la porte. Les portes à claire-voie offrant des ouvertures équivalentes de passage de l'air sont acceptables.

- Il faut aussi prendre en compte l'espace requis entre les appareils voisins.



A. Vue de face
B. Vue latérale
C. Porte de placard avec orifices d'entrée d'air

* Espacement requis

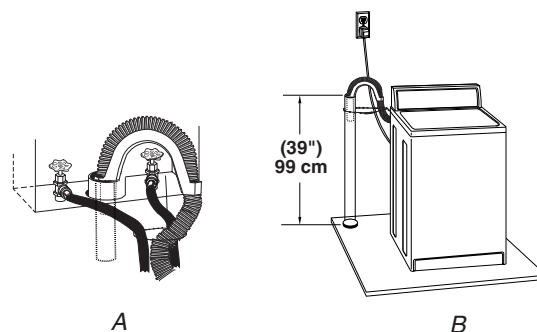
Système de vidange

La laveuse peut être installée en utilisant le système de rejet à l'égoût (au plancher ou mural), le système de vidange de l'évier de buanderie, ou le système de vidange au plancher. Sélectionner la méthode d'installation du tuyau de vidange selon les besoins. Voir "Outillage et pièces".

Système de vidange avec tuyau de rejet à l'égoût - mural ou au plancher (vues A et B)

Le système de rejet à l'égoût nécessite un tuyau de diamètre minimum de 2" (5 cm). La capacité minimale d'acheminement ne doit pas être inférieure à 17 gal. (64 L) par minute. Un adaptateur de 2" (5 cm) à 1" (2,5 cm) de diamètre est disponible pour le tuyau de rejet à l'égoût. Voir "Outillage et pièces".

Le sommet du tuyau de rejet à l'égoût doit être au moins à 39" (99 cm) de hauteur et au maximum à 96" (244 cm) de la base de la laveuse.



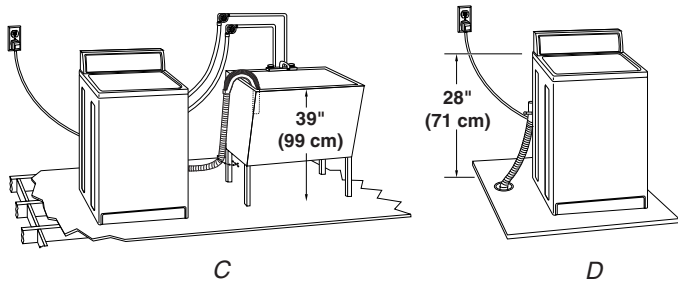
Système de vidange avec évier de buanderie (vue C)

L'évier de buanderie doit avoir une capacité minimale de 20 gal. (76 L). Le sommet de l'évier doit être au moins à 39" (99 cm) au-dessus du sol et au maximum à 96" (244 cm) de la base de la laveuse.

Système de vidange au plancher (vue D)

Le système de vidange au plancher nécessite un brise-siphon qui peut être acheté séparément. Voir "Outillage et pièces".

Le brise-siphon doit être au moins à 28" (71 cm) de la base de la laveuse. Des tuyaux supplémentaires peuvent être requis.



Spécifications électriques

⚠ AVERTISSEMENT



Risque de choc électrique

Brancher sur une prise à 3 alvéoles reliée à la terre.

Ne pas enlever la broche de liaison à la terre.

Ne pas utiliser un adaptateur.

Ne pas utiliser un câble de rallonge.

Le non-respect de ces instructions peut causer un décès, un incendie ou un choc électrique.

- Alimenter la laveuse au moyen d'un circuit individuel de 120 volts, 60 Hz, CA seulement, protégé par un fusible de 15 ou 20 ampères. On recommande l'emploi d'un fusible temporisé ou disjoncteur. Il est recommandé d'utiliser un circuit distinct pour alimenter uniquement cet appareil.
- Cette laveuse est dotée d'un cordon d'alimentation avec fiche de branchement à 3 broches, pour liaison à la terre.

- Pour minimiser le risque de choc électrique, on doit brancher le cordon d'alimentation sur une prise de courant murale de configuration correspondante (3 alvéoles) reliée à la terre conformément aux codes et règlements locaux. Si une prise de configuration correspondante n'est pas disponible, c'est au client qu'incombe la responsabilité et l'obligation personnelles de faire installer par un électricien qualifié une prise adéquatement mise à la terre.
- Si les codes le permettent et si un conducteur distinct de mise à la terre est utilisé, il est recommandé qu'un électricien qualifié détermine que la liaison à la terre est adéquate.
- Ne pas effectuer la liaison à la terre sur une canalisation de gaz.
- En cas de doute quant à la qualité de la liaison à la terre de la laveuse, vérifier auprès d'un électricien qualifié.
- Ne pas utiliser un fusible dans le circuit neutre ou de liaison à la terre.

INSTRUCTIONS DE LIAISON À LA TERRE

Pour une laveuse reliée à la terre et connectée par un cordon :

Cette laveuse doit être reliée à la terre. En cas d'anomalie de fonctionnement ou de panne, la liaison à la terre réduira le risque de choc électrique en offrant au courant électrique un itinéraire d'évacuation de moindre résistance. Cette laveuse est alimentée par un cordon électrique comportant un conducteur relié à la terre et une fiche de branchement munie d'une broche de liaison à la terre. La fiche doit être branchée sur une prise de courant appropriée qui est bien installée et reliée à la terre conformément à tous les codes et règlements locaux.

AVERTISSEMENT : Le raccordement incorrect de cet appareil au conducteur de liaison à la terre peut susciter un risque de choc électrique. En cas de doute quant à la qualité de la liaison à la terre de l'appareil, consulter un électricien ou technicien d'entretien qualifié.

Ne pas modifier la fiche de branchement fournie avec l'appareil – si la fiche ne correspond pas à la configuration de la prise de courant, demander à un électricien qualifié d'installer une prise de courant convenable.

Pour une laveuse raccordée en permanence :

Cette laveuse doit être raccordée à un système de câblage permanent en métal relié à la terre ou un conducteur relié à la terre doit être en fonction avec les conducteurs de circuit et raccordés à la borne de liaison à la terre ou la borne sur l'appareil ménager.

INSTRUCTIONS D'INSTALLATION

Avant de commencer

⚠ AVERTISSEMENT

Risque du poids excessif

Utiliser deux ou plus de personnes pour déplacer et installer la laveuse.

Le non-respect de cette instruction peut causer une blessure au dos ou d'autre blessure.

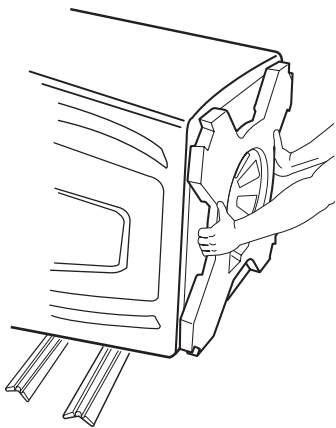
REMARQUE : Pour éviter d'endommager le plancher, installer la laveuse sur un carton avant de la déplacer sur le sol.

IMPORTANT :

- Vérifier que la base d'expédition en mousse a été retirée de la partie inférieure de la laveuse tel qu'indiqué dans les Instructions de déballage.
- Si la base d'expédition en mousse n'a pas été retirée, vérifier que le couvercle est bien immobilisé avec du ruban adhésif avant de faire reposer la laveuse sur sa partie arrière.
- Le retrait de la base d'expédition en mousse est nécessaire au bon fonctionnement de l'appareil.

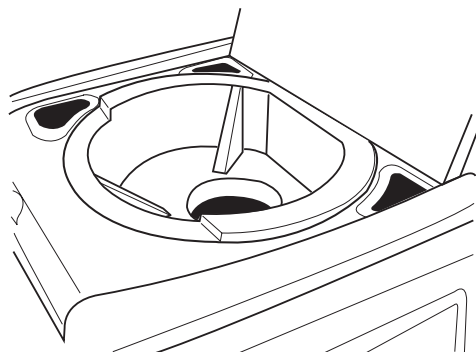
Retrait de la base d'expédition et de l'anneau d'emballage

1. Placer des supports de carton du carton d'emballage sur le sol derrière la laveuse.
2. À l'aide de deux personnes ou plus, incliner la laveuse sur sa partie arrière sur les supports de carton.
3. Ôter la base d'expédition en mousse.



4. Redresser la laveuse en position verticale.

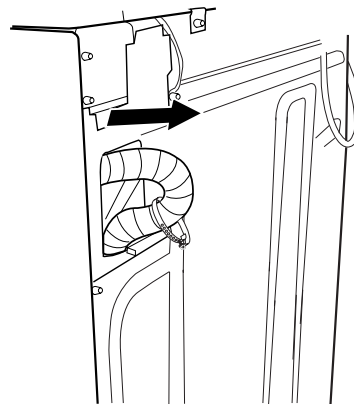
5. Retirer le ruban adhésif du couvercle. Ouvrir le couvercle et ôter l'anneau d'emballage en mousse de la cuve de la laveuse. Conserver l'anneau d'emballage en mousse en cas de déplacement ultérieur de la laveuse.



Raccordement du tuyau de vidange

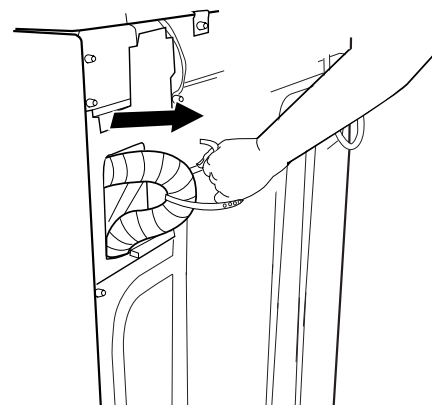
Le bon acheminement du tuyau de vidange protège vos planchers contre les dommages imputables à une fuite d'eau. Lire et suivre ces instructions.

Le tuyau de vidange est connecté à la laveuse et est remis à l'intérieur de la caisse de la laveuse.



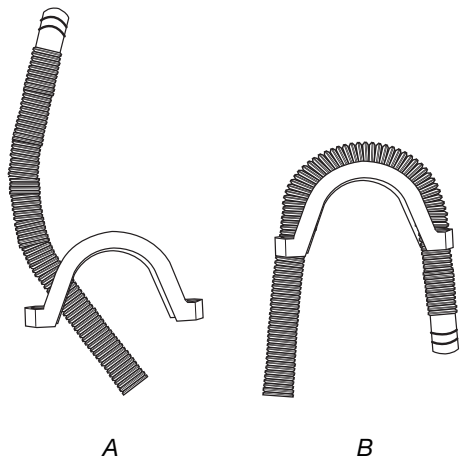
Libération du tuyau de vidange fixé sur la caisse de la laveuse

Tirer sur le tuyau de vidange ondulé pour le sortir de la laveuse en saisissant d'abord l'attache de fixation. Continuer à tirer sur le tuyau jusqu'à ce que l'extrémité se dégage. Ne pas forcer l'excédent de tuyau de vidange dans l'arrière de la laveuse.



Décharge de l'eau de lavage dans un évier de buanderie ou tuyau de rejet à l'égout

Connexion de la bride de retenue pour tuyau de vidange sur le tuyau de vidange ondulé



A. Faire passer l'extrémité du tuyau de vidange dans l'une des extrémités de la bride de retenue. Immobiliser la lèvre de la bride sur l'un des plis du tuyau.

B. Plier le tuyau sur la partie supérieure de la bride de retenue et faire passer dans l'autre extrémité de la bride de retenue. Immobiliser la lèvre de la bride sur l'un des plis du tuyau.

Pour empêcher l'eau de vidange de refluer dans la laveuse :

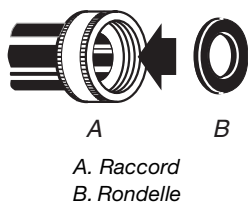
- Ne pas forcer l'excédent du tuyau de vidange dans le tuyau rigide de rejet à l'égout. Le tuyau doit être bien immobilisé, tout en permettant le passage d'air.
- Ne pas mettre l'excédent du tuyau de vidange dans le fond de l'évier de buanderie.

Égout au plancher

Ne pas installer la bride de retenue pour tuyau de vidange sur le tuyau de vidange ondulé. Il vous faudra peut-être des pièces supplémentaires. Voir Égout au plancher dans "Outillage et pièces".

Raccordement des tuyaux d'alimentation

1. Insérer les rondelles plates neuves (fournies) dans chaque extrémité des tuyaux d'arrivée d'eau. Insérer fermement les rondelles dans les raccords.

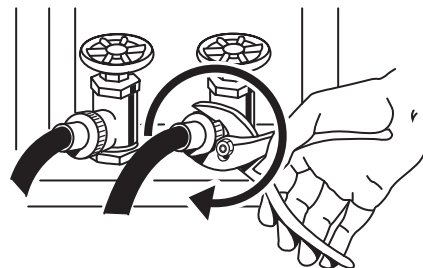


Connecter les tuyaux d'alimentation aux robinets d'eau

S'assurer que le panier de la laveuse est vide.

2. Fixer le tuyau dont l'étiquette porte la mention "chaud" au robinet d'eau chaude. Visser complètement le raccord à la main pour qu'il comprime la rondelle.

3. Fixer le tuyau dont l'étiquette porte la mention "froid" au robinet d'eau froide. Visser complètement le raccord à la main pour qu'il comprime la rondelle.
4. À l'aide d'une pince, serrer les raccords en effectuant deux tiers de tour supplémentaires.

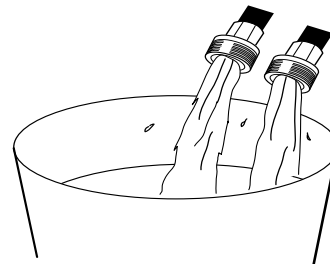


Terminer le serrage des raccords en effectuant deux tiers de tour supplémentaires.

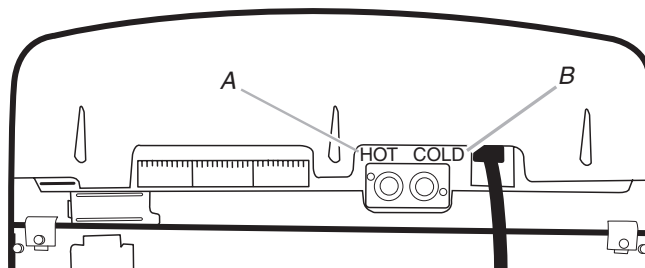
REMARQUE : Ne pas serrer excessivement ou utiliser du ruban adhésif ou un calfeutrant sur la valve. Les valves risquent d'être endommagées.

Vider les canalisations d'eau

- Laisser s'écouler l'eau des deux robinets et des tuyaux d'alimentation, dans un évier de buanderie, un tuyau de rejet à l'égout ou un seau, pour éliminer les particules se trouvant dans les canalisations d'eau qui pourraient obstruer les tamis de la valve d'arrivée d'eau.
- Vérifier la température de l'eau pour s'assurer que le tuyau d'eau chaude est connecté au robinet d'eau chaude et que le tuyau d'eau froide est connecté au robinet d'eau froide.



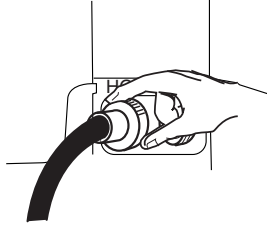
Connecter les tuyaux d'alimentation à la laveuse



A. Valve du tuyau d'alimentation d'eau chaude
B. Valve du tuyau d'alimentation d'eau froide

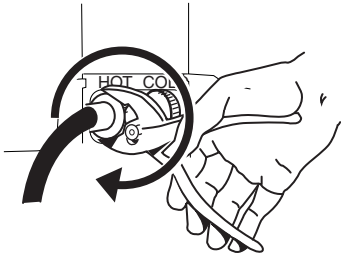
1. Fixer le tuyau d'eau chaude à la valve d'arrivée d'eau dont l'étiquette porte la mention "chaud".
2. Le fait d'attacher un raccord de tuyau d'abord permet de resserrer plus facilement la connexion avec les pinces.

3. Visser complètement le raccord à la main pour qu'il comprime la rondelle.



4. À l'aide d'une pince, serrer le raccord en effectuant deux tiers de tour supplémentaires.

REMARQUE : Ne pas serrer excessivement ou utiliser du ruban adhésif ou un calfeutrant sur la valve. Les valves risquent d'être endommagées.



5. Fixer le tuyau d'eau froide à la valve d'arrivée d'eau dont l'étiquette porte la mention "froid".
6. Visser complètement le raccord à la main pour qu'il comprime la rondelle.
7. À l'aide d'une pince, serrer le raccord en effectuant deux tiers de tour supplémentaires.

REMARQUE : Ne pas serrer excessivement ou utiliser du ruban adhésif ou un calfeutrant sur la valve. Les valves risquent d'être endommagées.

Vérifier s'il y a des fuites

- Ouvrir les robinets d'eau et vérifier s'il y a des fuites. Une petite quantité d'eau peut entrer dans la laveuse. Vous effectuerez une vidange lors d'une étape ultérieure.

REMARQUE : Remplacer les tuyaux d'arrivée d'eau après 5 ans d'utilisation pour réduire le risque de défaillance intempestive. Prendre note de la date d'installation ou de remplacement des tuyaux d'arrivée d'eau, pour référence ultérieure.

- En cas de raccordement d'un seul tuyau d'eau, il est nécessaire de boucher l'orifice d'entrée d'eau restant.
- Inspecter périodiquement les tuyaux; les remplacer en cas de renflement, de déformation, de coupure, d'usure ou si une fuite se manifeste.

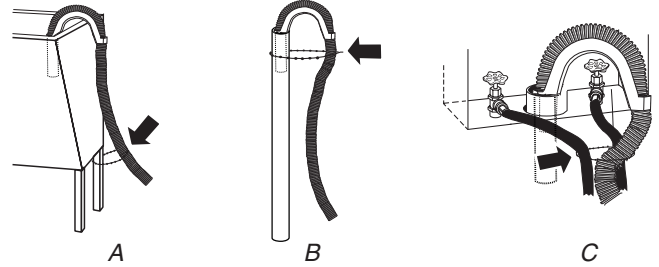
Immobilisation du tuyau de vidange

1. Faire passer le cordon d'alimentation par-dessus la console.
2. Ôter tout carton utilisé pour le déplacement de la laveuse.



Attache de fixation perlée

3. Fixer le tuyau de vidange au pied de l'évier de buanderie ou au tuyau rigide de rejet à l'égout avec l'attache de fixation perlée. Voir l'illustration A ou B.



Si les robinets et le tuyau rigide de rejet à l'égout sont placés en retrait, introduire l'extrémité en col de cygne du tuyau de vidange dans le tuyau rigide de rejet à l'égout. Attacher fermement les tuyaux d'arrivée d'eau et le tuyau de vidange ensemble, avec l'attache. Voir l'illustration C.

Réglage de l'aplomb de la laveuse

⚠ AVERTISSEMENT

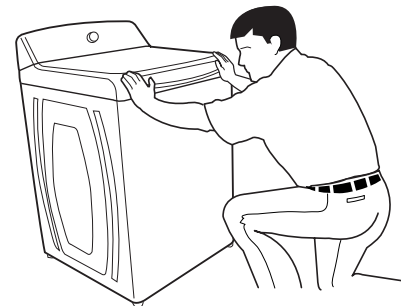
Risque du poids excessif

Utiliser deux ou plus de personnes pour déplacer et installer la laveuse.

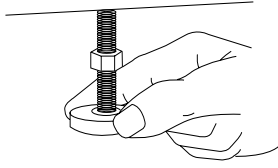
Le non-respect de cette instruction peut causer une blessure au dos ou d'autre blessure.

Un des pieds de la laveuse a été installé à une hauteur différente sur la nouvelle laveuse. Les trois autres pieds ont été pré-réglés à l'usine. Un bon aplomb de la laveuse minimisera le bruit et les vibrations.

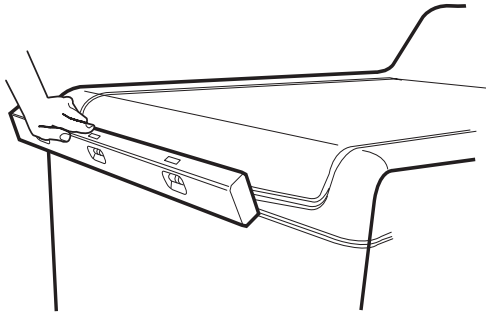
1. Faire glisser la laveuse à son emplacement final.
2. Appuyer sur le panneau avant supérieur pour vérifier que la laveuse repose sur ses pieds arrière.



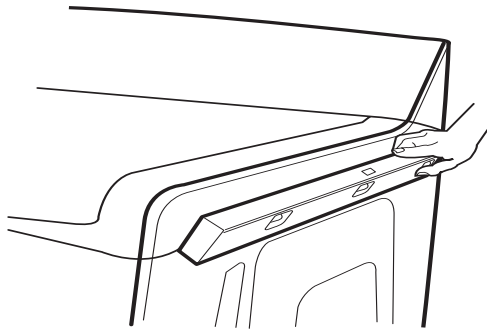
3. Abaisser le pied avant droit jusqu'à ce qu'il soit en contact avec le plancher. Manuellement, faire pivoter fermement le pied jusqu'à 1½ tour supplémentaire. Les trois autres pieds ont été préréglés à l'usine.



4. Contrôler l'aplomb de la laveuse en plaçant un niveau dans la zone située entre la partie supérieure de la laveuse et la caisse, d'abord à l'avant, puis sur le côté.



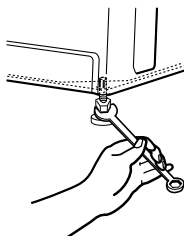
Contrôler l'aplomb à l'avant.



Contrôler l'aplomb sur le côté.

5. Si la laveuse n'est pas d'aplomb, déplacer légèrement la laveuse pour la sortir, l'incliner vers l'arrière, soulever l'avant de la laveuse avec une cale de bois. Régler le pied vers le haut ou vers le bas autant que nécessaire en le faisant tourner. Répéter les étapes 1 à 4 jusqu'à ce que la laveuse soit d'aplomb.
6. Avec une clé plate de 9/16" ou 14 mm, serrer l'écrou (dans le sens antihoraire) sur le pied, en le bloquant fermement contre la caisse de la laveuse.

IMPORTANT : Si l'écrou n'est pas bloqué contre la caisse de la laveuse, la laveuse peut vibrer.



Achever l'installation

1. Consulter les spécifications électriques. Vérifier que la tension électrique disponible est correcte et que la prise de courant est convenablement reliée à la terre. Voir "Spécifications électriques".
2. Vérifier que toutes les pièces sont maintenant installées. S'il reste une pièce, passer en revue les différentes étapes pour découvrir laquelle aurait été oubliée.
3. Vérifier la présence de tous les outils.
4. Conserver l'anneau d'emballage en mousse de la cuve en cas de réinstallation ultérieure de la laveuse. Jeter ou recycler tous les autres matériaux d'emballage.
5. Vérifier que les robinets d'eau sont ouverts.
6. Vérifier s'il y a des fuites autour des robinets et des tuyaux d'arrivée d'eau.

⚠ AVERTISSEMENT



Risque de choc électrique

Brancher sur une prise à 3 alvéoles reliée à la terre.

Ne pas enlever la broche de liaison à la terre.

Ne pas utiliser un adaptateur.

Ne pas utiliser un câble de rallonge.

Le non-respect de ces instructions peut causer un décès, un incendie ou un choc électrique.

7. Brancher sur une prise à 3 alvéoles reliée à la terre.
8. Ôter tout film protecteur ou ruban adhésif restant sur la laveuse.
9. Lire "Utilisation de la laveuse".
10. Pour tester et nettoyer votre laveuse, mesurer ½ de la quantité recommandée par le fabricant de détergent Haute efficacité (HE) en poudre ou liquide pour une charge de taille moyenne et verser dans le distributeur de détergent. Rabattre le couvercle. Appuyer sur Power (alimentation). Sélectionner un programme normal et appuyer sur Start (mise en marche). Laisser un programme complet s'effectuer.

AVANTAGES ET CARACTÉRISTIQUES

Votre laveuse présente plusieurs avantages et caractéristiques qui sont résumés ici. Certains articles peuvent ne pas s'appliquer à votre modèle.

Avantages

Système de lavage Haute efficacité gentlewash™

Votre nouvelle laveuse Haute efficacité à chargement par le dessus vous fait gagner du temps grâce à des charges moins nombreuses et plus importantes. Grâce à ces innovations, elle permet aussi de préserver les ressources et réduit les factures d'eau et d'énergie.

Niveau d'eau automatique

Cette laveuse détecte le volume de la charge et sa composition à travers une série de remplissages et de mouvements de lavage. Elle ajuste ensuite le niveau d'eau pour un rendement de nettoyage et de rinçage optimal. Ceci élimine les calculs approximatifs. Le niveau d'eau correspond exactement au volume de chaque charge de lavage.

REMARQUE : Pendant un programme, il est possible de remarquer que la charge de lavage n'est pas complètement immergée dans l'eau. Ceci est normal pour la laveuse.

Commande automatique de la température (CAT)

La Commande automatique de la température (CAT) sur cette laveuse détecte et maintient électroniquement une température uniforme de l'eau en contrôlant la température de l'eau d'arrivée. L'utilisation de la CAT favorisera la dissolution du détergent.

Agitateur INVIZIBLE™

Votre nouvelle laveuse fonctionne différemment de la plupart des laveuses traditionnelles. La différence la plus frappante est que la laveuse comporte un agitateur invisible. Elle a recours à cet agitateur innovant situé au fond du panier de lavage pour déplacer la charge dans un mélange d'eau et de détergent. Le mélange de détergent est appliqué de façon continue pendant le programme de lavage pour éliminer les taches et salissures. La charge est déplacée de l'extérieur vers le centre avec des articles dirigés vers le haut au centre et vers le bas sur les bords extérieurs.

Distributeurs

Les distributeurs rendent votre laveuse véritablement automatique. Il n'est pas nécessaire de retourner à la laveuse pendant le programme pour ajouter détergent, agent de blanchiment ou assouplissant de tissu.

Les additifs de lessive sont dilués avec de l'eau fraîche et ajoutés à la charge au moment approprié au cours du programme de lavage.

Vitesses d'essorage

Cette laveuse est pré-réglée pour sélectionner automatiquement la vitesse d'essorage en fonction du programme sélectionné. En fonction de la charge de lavage, vous pouvez modifier les vitesses pré-réglées. La vitesse d'essorage sur cette laveuse est presque deux fois plus rapide que celle de votre laveuse traditionnelle. Il est possible de remarquer des sons différents pendant un programme d'essorage en raison de la vitesse accrue.

Stain Treat/traitement des taches (action de nettoyage CATALYST®)

L'option Stain Treat aide à assurer une meilleure élimination des saletés et des taches. L'option Stain Treat réduit le besoin de prétraitement et est sans danger pour tous les tissus. De l'eau passe dans le distributeur pour dissoudre le détergent. Le mélange de détergent est ensuite vaporisé sur la charge tandis que la laveuse effectue un essorage à basse vitesse. Cette action de nettoyage durera jusqu'à 5 minutes selon le programme sélectionné. Puis la laveuse arrête l'essorage, se remplit au niveau d'eau approprié et poursuit le lavage avec le programme sélectionné.

Détergent Haute efficacité (HE)

Cette laveuse est conçue pour l'utilisation d'un détergent Haute efficacité (HE) uniquement. Les détergents HE sont conçus pour produire la quantité exacte de mousse et procurer le meilleur rendement avec les systèmes de lavage à faible niveau d'eau.



Caractéristiques

Caractéristiques innovantes

Votre nouvelle laveuse présente des caractéristiques qui aident à réduire le bruit, augmentent la facilité d'utilisation et améliorent la performance de lavage.

Commandes électroniques

Les commandes électroniques avec les programmes pré-réglés sont faciles à utiliser, que vous soyez un débutant ou un "expert".

Fonctionnement silencieux

Cette laveuse est insonorisée à l'aide de matériaux isolants afin de réduire les sons et bruits de fonctionnement de la laveuse. Sur certains modèles, une enveloppe supplémentaire pour la cuve est ajoutée pour l'amortissement supérieur des sons et des vibrations.

Système de suspension

Pour réduire le "déplacement" ou le "déséquilibre" de la laveuse, celle-ci combine :

- 4 jambes élastiques à ressort pour isoler les vibrations
- Un anneau d'équilibrage en haut et au fond du panier de lavage pour minimiser les vibrations
- Un logiciel d'exploitation conçu pour détecter et corriger les charges déséquilibrées

Programme Clean Washer (nettoyage de la laveuse)

Cette laveuse comporte un programme Clean Washer facile à utiliser qui nettoie à fond l'intérieur de la machine à laver en utilisant d'importants volumes d'eau combinés à de l'agent de blanchiment liquide.

Panier en acier inoxydable

Le panier en acier inoxydable résiste à la corrosion et permet des vitesses d'essorage plus élevées pour une meilleure extraction de l'eau et une réduction de la durée de séchage.

Système de lavage/rinçage par filtre forcé

Cette laveuse filtre 100 % de l'eau de lavage et de rinçage. L'eau est filtrée puis remise en circulation. Le filtre forcé coince le sable et les saletés, les chasse par le tuyau d'évacuation afin qu'ils ne se redéposent pas sur les vêtements propres.

Option Save Energy Plus (économie d'énergie Plus)

L'option Save Energy Plus vous permet d'augmenter les économies d'énergie sur les programmes à température plus élevée (Whitest Whites/blancs les plus blancs et Heavy Duty/lavage intense) tout en préservant la performance de lavage grâce à une prolongation de la durée de lavage d'environ 5 minutes.

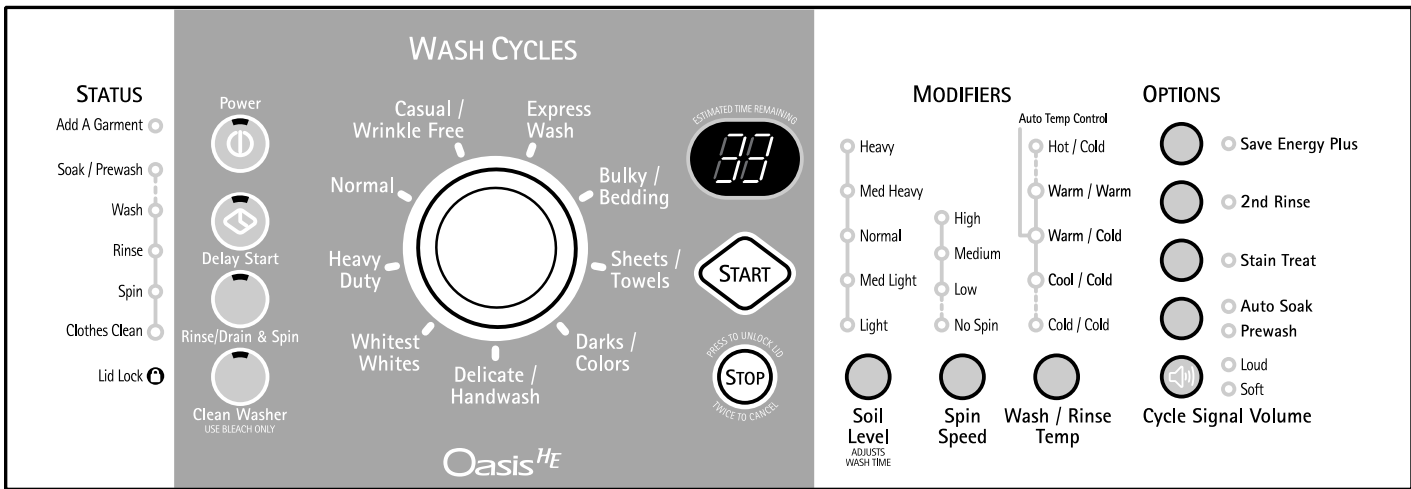
Delay Start (mise en marche différée)

L'option Delay Start permet de charger la laveuse et de différer le début du programme jusqu'à 13 heures.

Signal de fin de programme

Le signal de fin de programme émet un signal sonore qui indique la fin du programme de lavage. Ce signal est utile lorsqu'on retire les articles de la laveuse aussitôt qu'elle s'arrête.


UTILISATION DE LA LAVEUSE



REMARQUE : Votre modèle de laveuse peut différer légèrement.

Mise en marche de la laveuse

⚠ AVERTISSEMENT



Risque d'incendie

Ne jamais mettre des articles humectés d'essence ou d'autres fluides inflammables dans la laveuse.

Aucune laveuse ne peut complètement enlever l'huile.

Ne pas faire sécher des articles qui ont été salis par tout genre d'huile (y compris les huiles de cuisson).

Le non-respect de ces instructions peut causer un décès, une explosion ou un incendie.

AVERTISSEMENT : Pour réduire le risque d'incendie, de choc électrique ou de blessures corporelles, lire les INSTRUCTIONS IMPORTANTES DE SÉCURITÉ avant de faire fonctionner cet appareil.

Les renseignements suivants vous aideront à mettre votre laveuse en marche. Les renvois périodiques à d'autres sections de ce guide permettent d'obtenir des renseignements plus détaillés.

Utilisation du détergent approprié

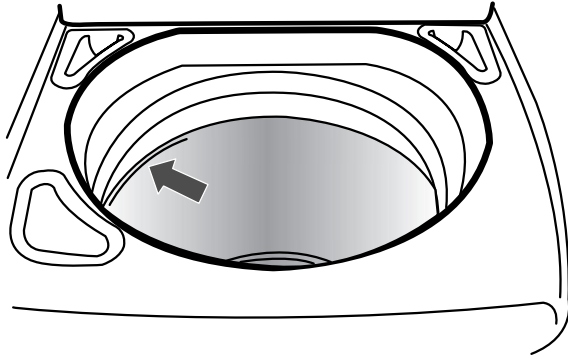
Utiliser uniquement des détergents Haute efficacité (HE). Pour ce type de détergent, "HE" ou "Haute efficacité" sera mentionné sur l'emballage. Les détergents HE tels que TIDE® HE sont conçus pour produire la quantité de mousse adéquate pour le meilleur rendement avec les systèmes de lavage à faible niveau d'eau. Suivre les recommandations du fabricant de détergent pour déterminer la quantité appropriée de détergent à utiliser. Le nouveau système de lavage de votre laveuse occasionnera trop de mousse en cas d'utilisation d'un détergent régulier non-HE. L'utilisation d'un détergent ordinaire est susceptible d'occasionner des erreurs de la part de la laveuse, des durées de programmes plus longues et une performance de rinçage réduite. Ceci peut aussi entraîner des défaillances des composants et une moisissure perceptible. L'utilisation d'un détergent régulier (non-HE) annulera votre garantie. Voir "Garantie".



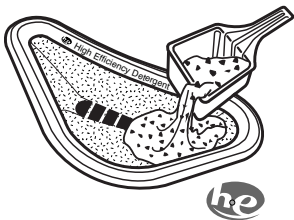
Utiliser uniquement un détergent "HE" Haute efficacité.

1. Mettre une charge de vêtements triés dans la laveuse. Voir "Conseils de lessivage".
 - Répartir la charge uniformément pour maintenir l'équilibre de la laveuse. Mélanger les gros et les petits articles.

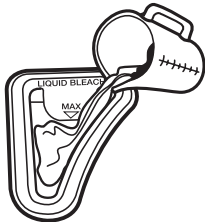
- Charger uniquement jusqu'en haut du panier - voir l'illustration. Une surcharge peut causer un nettoyage médiocre.



2. Verser la quantité mesurée de détergent en poudre ou liquide (HE) dans le distributeur de détergent. Ne pas verser le détergent directement dans la cuve de lavage ou sur les vêtements dans la laveuse.



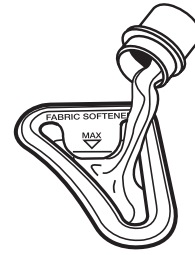
3. Verser l'agent de blanchiment (en poudre ou liquide) sans danger pour les couleurs à ce distributeur, si nécessaire. Veiller à utiliser un agent de blanchiment en poudre sans danger pour les couleurs avec un détergent en poudre approprié ou un agent de blanchiment liquide sans danger pour les couleurs avec un détergent liquide approprié.
4. Verser la quantité mesurée d'agent de blanchiment liquide dans le distributeur d'agent de blanchiment liquide, si nécessaire. L'agent de blanchiment est dilué et automatiquement distribué au moment approprié au cours du programme de lavage.



- Ne pas remplir excessivement. Ne pas diluer. Ne pas utiliser plus de 1 tasse (250 mL) pour une charge complète. Réduire la quantité pour une plus petite charge.
- Suivre les instructions du fabricant des vêtements et de l'agent de blanchiment pour une utilisation correcte.
- Pour éviter les renversements, utiliser une tasse avec un bec verseur. Ne pas laisser l'agent de blanchiment éclabousser, se renverser ou couler dans le panier de la laveuse.
- À la fin du programme, il est possible qu'une petite quantité d'eau reste dans le distributeur. Ceci est normal.

REMARQUE : Utiliser seulement un agent de blanchiment liquide dans ce distributeur.

5. Verser un assouplissant de tissu liquide dans le distributeur d'assouplissant de tissu, si désiré.



- Ne pas remplir excessivement. Le distributeur peut contenir 3 oz. (94 mL), ou un bouchon plein d'assouplissant de tissu.
- L'assouplissant de tissu est distribué au cours du programme de rinçage. Si un 2nd rinçage est sélectionné, l'assouplissant de tissu sera distribué au cours du 2nd rinçage.
- Ne pas utiliser de boules distributrices d'assouplissant de tissu dans cette laveuse. Les boules distributrices ne fonctionnent pas correctement avec cette laveuse.
- Ne pas renverser ou dégotter d'assouplissant de tissu sur les vêtements.
- À la fin du programme, il est possible qu'une petite quantité d'eau reste dans le distributeur. Ceci est normal.

REMARQUE : Utiliser seulement de l'assouplissant de tissu liquide dans ce distributeur.

6. Rabattre le couvercle de la laveuse.
 7. Appuyer sur POWER (alimentation). Ceci active l'afficheur de la laveuse.
 8. Sélectionner un programme de lavage. Voir "Programmes".
 9. Ajuster les modificateurs, si désiré. Voir "Modificateurs".
 10. Sélectionner les options désirées. Voir "Options".
 11. Sélectionner Delay Start (mise en marche différée), si désiré. Voir "Delay Start (mise en marche différée)" dans la section "Modificateurs".
 12. Appuyer sur START (mise en marche). Le programme de lavage commence et l'afficheur indique la durée résiduelle estimée. Le couvercle se verrouillera.
- REMARQUE :** Si on n'appuie pas sur Start (mise en marche) en deçà de 5 minutes après avoir appuyé sur Power (alimentation), la laveuse s'arrête automatiquement.

Pause ou remise en marche de la laveuse

Add a Garment (ajouter un vêtement)

Il est possible d'ajouter un vêtement supplémentaire à la charge lorsque le témoin lumineux "Add a Garment" clignote sans diminuer la performance de lavage.

Pour ajouter un vêtement ou pour mettre la laveuse en pause à tout moment

1. Appuyer une fois sur STOP (arrêt).
2. Attendre que le témoin Lid Lock (couvercle verrouillé) s'éteigne, puis ouvrir le couvercle.
3. Ajouter des articles.

Pour remettre la laveuse en marche

1. Fermer le couvercle et appuyer sur START.
2. Pour déverrouiller le couvercle à la fin de la période Add a Garment, appuyer une fois sur STOP. En appuyant deux fois sur STOP, on annule le programme de lavage.

Arrêt de la laveuse

On peut arrêter le programme de lavage et effectuer une vidange de la cuve en appuyant deux fois sur le bouton Stop ou une fois sur le bouton Power.

Changement des programmes, modificateurs et options

Il est possible de changer les programmes, modificateurs et options en tout temps lorsque le bouton START (mise en marche) n'a pas encore été enfoncé. Tous les modificateurs et toutes les options ne sont pas disponibles avec tous les programmes.

- Un bref signal sonore marque le choix d'un changement.
- Trois brefs signaux sonores marquent le choix d'une combinaison non disponible. La dernière sélection ne sera pas acceptée.

Changement des programmes au cours du programme de lavage

1. Appuyer deux fois sur STOP (arrêt) pour annuler le programme. La laveuse effectuera une vidange.
2. Appuyer sur POWER (alimentation).
3. Sélectionner le programme de lavage désiré.
4. Sélectionner les modificateurs et options désirés.
5. Appuyer sur START (mise en marche).

La laveuse recommence au début d'un nouveau programme.

REMARQUE : Si on n'appuie pas sur Start (mise en marche) en deçà de 5 minutes de la pause de la laveuse, celle-ci s'arrête automatiquement.

Changement des modificateurs et des options au cours du programme de lavage

Il est possible de changer un modificateur ou une option en tout temps avant que le modificateur ou l'option choisi(e) ne commence. Il faut :

1. Appuyer une fois sur STOP (arrêt).
2. Sélectionner les modificateurs et/ou options désirés.
3. Appuyer sur START (mise en marche).

Pour vidanger la laveuse manuellement et essorer la charge

1. Appuyer deux fois sur STOP (arrêt) pour annuler le programme de lavage et vidanger la laveuse.
2. Appuyer sur POWER (alimentation).
3. Appuyer sur DRAIN & SPIN (vidange et essorage).
4. Appuyer sur START (mise en marche).

Lorsque l'essorage est terminé, le couvercle se déverrouille. Les articles peuvent être retirés de la laveuse.

Témoins lumineux

Ces témoins lumineux indiquent quelle portion du programme la laveuse est en train d'effectuer. Ils indiquent aussi à quel moment il est possible d'ajouter d'autres vêtements à la charge.



Linge propre

Le témoin Clothes Clean (linge propre) reste allumé jusqu'à l'ouverture du couvercle ou l'appui sur le bouton Power (alimentation).

Lid Lock (couvercle verrouillé)

Lorsque le témoin Lid Lock est allumé, le couvercle de la laveuse est verrouillé.

REMARQUE : Il est nécessaire d'attendre que le témoin lid lock (couvercle verrouillé) soit éteint avant de pouvoir ouvrir le couvercle.

Témoins lumineux

Un témoin lumineux indique le programme, les modificateurs et les options qui ont été sélectionnés.

Durée résiduelle estimée

La durée du programme en minutes apparaîtra sur l'afficheur pendant que vous faites les sélections. Une fois qu'on a appuyé sur Start (mise en marche), la durée totale du programme apparaît, incluant la durée estimée pour la vidange et le remplissage.

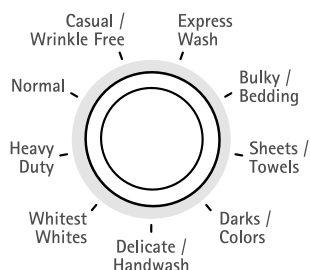


REMARQUES :

- La durée est purement estimative et peut varier en fonction du volume de la charge, du programme, des modificateurs et des options sélectionnés.
- On peut remarquer un ajustement de la durée en cours de programme. Ceci est normal.
- La durée du programme peut être prolongée en cas d'excès de mousse ou si la charge est déséquilibrée.

Programmes

Tourner le bouton pour choisir le programme de lavage correct pour le type de vêtements à laver. Lorsque le bouton est sur un programme, le témoin lumineux correspondant s'allume. Si les réglages par défaut pour les modificateurs et les options conviennent à votre charge de lavage, appuyer sur Start pour commencer le programme de lavage.



Préréglages de programme

Par commodité, les préglages de programme fournissent les réglages de soin recommandé pour le tissu pour chaque programme.

Utilisation des préglages de programme :

1. Appuyer sur POWER (alimentation).
2. Sélectionner le programme désiré en tournant le bouton. Les préglages de programme seront affichés (voir tableau suivant).
3. Appuyer sur START (mise en marche). Le programme de lavage commencera.

Préréglages de programme

Programme	Minutes pré-réglées	Niveau de saleté*	Temp. lavage/rinçage
Whitest Whites (blancs les plus blancs)	79	Très sale	Hot/Cold (chaude/froide) (Pas de CAT)
Heavy Duty (service intense)	74	Très sale	Hot/Cold (chaude/froide) (Pas de CAT)
Normal	43	Normal	Warm/Cold (tiède/froide)
Casual/Wrinkle Free (tout-aller/anti-froissement)	44	Moyen Léger	Warm/Cold (tiède/froide)
Express Wash (lavage rapide)	34	Léger	Warm/Warm (tiède/tiède)
Bulky/Bedding (articles encombrants/literie)	46	Normal	Warm/Cold (tiède/froide)
Sheets/Towels (draps/serviettes)	46	Normal	Warm/Cold (tiède/froide)
Darks/Colors (articles foncés/couleurs)	42	Normal	Cool/Cold (fraîche/froide)
Delicate/Handwash (délicat/articles lavables à la main)	35	Léger	Cool/Cold (fraîche/froide)
Rinse & Spin (rinçage et essorage)	20	Non applicable	Cold/Cold (froide/froide)
Drain & Spin (vidange et essorage)	10	Non applicable	Non applicable
Clean Washer (nettoyage de la laveuse)	60	Non applicable	Non applicable

* La durée du programme en minutes apparaîtra sur l'afficheur pendant que vous faites les sélections. Une fois qu'on a appuyé sur Start (mise en marche), la durée totale du programme apparaît, incluant la durée estimée pour la vidange et le remplissage.

REMARQUE : Charger uniquement jusqu'en haut du panier. Une surcharge peut causer un nettoyage médiocre. Voir "Mise en marche de la laveuse".

Whitest Whites (blancs les plus blancs)

Ce programme introduit l'agent de blanchiment liquide à la charge au moment approprié pour un blanchiment amélioré des tissus blancs très sales. Le programme combine une action de lavage à haute vitesse et un essorage à haute vitesse. L'option 2nd Rinse (second rinçage) est l'option par défaut pour ce programme et permet d'éliminer efficacement le détergent et l'agent de blanchiment. Pour une élimination optimale des saletés et des taches, un agent de blanchiment liquide doit être utilisé.

Heavy Duty (service intense)

Utiliser ce programme pour les articles en coton très sales ou robustes. Le programme combine une action de lavage à haute vitesse et un essorage à haute vitesse. L'option Stain Treat (traitement des taches) est l'option par défaut pour ce programme, mais elle peut être désactivée. Voir "Changement des programmes, modificateurs et options".

Normal

Utiliser ce programme pour les articles en coton et en tissus mixtes normalement sales. Le programme combine une action de lavage à haute vitesse et un essorage à haute vitesse.

Casual/Wrinkle Free (tout-aller/anti-froissement)

Utiliser ce programme pour laver des charges de vêtements qui ne se repassent pas tels que chemises de sport, chemisiers, vêtements de travail tout-aller, pressage permanent et mélanges. Ce programme combine une action de lavage à vitesse moyenne, un essorage à vitesse moyenne et un processus de refroidissement de la charge pour réduire le froissement.

Express Wash (lavage rapide)

Utiliser ce programme pour laver quelques articles légèrement sales dont on a besoin rapidement. Ce programme court combine une action de lavage à haute vitesse et un essorage à haute vitesse pour un nettoyage optimal et des durées de séchages raccourcies.

Bulky/Bedding (articles encombrants/literie)

Ce programme est conçu pour les articles surdimensionnés qui n'absorbent pas facilement l'eau, tels que les couettes, les oreillers et les vestes avec rembourrage en polyester. Ce programme lave en douceur ces articles non absorbants avec un niveau d'eau préréglé pour éviter les dommages. Ce programme commence par un trempage pour bien imbibier l'article de grande taille. Ceci est suivi d'une action de lavage moyenne et de vitesses d'essorage moyennes pour maintenir l'équilibre de la charge.

REMARQUE : Du fait du niveau d'eau préréglé, d'autres articles similaires occasionneront un déséquilibre de la charge avec ce programme.

Sheets/Towels (draps/serviettes)

Utiliser ce programme pour les draps, taies d'oreiller et serviettes. L'action de lavage du programme est conçue pour empêcher les gros articles de s'enchevêtrer ou de se mettre en boule.

IMPORTANT : Pour un meilleur rendement, déposer les articles en vrac de façon uniforme le long des parois du panier. Ne pas poser de charge directement sur l'impulseur pour ce programme.

Darks/Colors (articles foncés/couleurs)

Utiliser ce programme pour les articles foncés ou les tissus naturels teints tels que les jeans ou les articles de coton susceptibles de déteindre. Ce programme combine une action de lavage à vitesse moyenne et un essorage à haute vitesse. Pour des résultats optimaux, utiliser de l'eau froide ou tiède.

Delicate/Handwash (articles délicats/articles lavables à la main)

Utiliser ce programme pour nettoyer les vêtements nécessitant un soin spécial ou pour les articles dont l'étiquette indique "Laine ou soie lavable en machine". (Consulter les consignes de l'étiquette pour s'assurer que le vêtement est lavable.) Ce programme utilise une action de lavage intermittente à basse vitesse et un essorage à basse vitesse pour le meilleur soin des tissus avec réduction du froissement.

L'étiquette des vêtements mentionne "Handwash/lavage à la main" parce que :

- Les fibres peuvent être sensibles à l'action de lavage.
- Le tissu contient des teintures sensibles qui peuvent déteindre.

REMARQUE : Certains articles "lavables à la main" rétrécissent naturellement au lavage. Garder ceci à l'esprit en cas d'achat d'articles dont l'étiquette indique "Handwash/lavage à la main". Les articles qui rétrécissent doivent être séchés à plat. Pendant qu'ils sont encore mouillés, mettre ces articles en forme en les étirant délicatement à la taille originale.

Rinse/Drain & Spin (rinçage/vidange et essorage)

Les programmes Rinse & Spin (rinçage et essorage) et Drain & Spin (vidange et essorage) sont sélectionnés avec le même bouton.



Rinse/Drain & Spin

Rinse & Spin (rinçage et essorage)

Utiliser cette option pour obtenir un rinçage en profondeur suivi d'un essorage à haute vitesse. L'affichage de la durée inclut une estimation du temps nécessaire pour le remplissage et la vidange de la laveuse.

Quand utiliser Rinse & Spin (rinçage et essorage) :

- Pour les charges qui nécessitent un rinçage uniquement.
- Pour achever un programme après que l'alimentation a été interrompue.

Pour utiliser le réglage Rinse & Spin (rinçage et essorage) :

1. Appuyer une fois sur le bouton RINSE/DRAIN & SPIN (rinçage/vidange et essorage). Le témoin lumineux Rinse & Spin (rinçage et essorage), ainsi que les témoins Spin Speed (vitesse d'essorage), Water Temperature (température de l'eau) et 2nd Rinse (2nd rinçage) s'allument. Il est possible de changer uniquement les modificateurs de Spin Speed et de Water Temperature.

REMARQUE : Une durée de programme Rinse & Spin (rinçage et essorage) d'environ 20 minutes apparaîtra sur l'afficheur de la durée résiduelle estimée.

2. Appuyer sur START (mise en marche).

Drain & Spin (vidange et essorage)

Une vidange et un essorage supplémentaires peuvent aider à diminuer les durées de séchage pour les tissus lourds ou les articles qui nécessitent un soin particulier. L'option Drain & Spin (vidange et essorage) peut également être utilisée pour vidanger l'eau après avoir annulé un programme ou pour terminer un programme après une panne de courant.

Pour utiliser le réglage Drain & Spin (vidange et essorage) :

1. Appuyer une fois sur le bouton RINSE/DRAIN & SPIN (rinçage/vidange et essorage). Le témoin lumineux Rinse & Spin (rinçage et essorage), ainsi que les témoins Spin Speed (vitesse d'essorage), Water Temperature (température de l'eau) et 2nd Rinse (2nd rinçage) s'allument. Il est possible de changer uniquement le modificateur Spin Speed.
2. Appuyer sur 2nd RINSE (2nd rinçage) pour ne plus sélectionner Rinse & Spin (rinçage et essorage). Les témoins 2nd Rinse et Water Temperature s'éteignent pour indiquer que le programme Drain & Spin (vidange et essorage) a été sélectionné.

REMARQUE : Une durée de Drain & Spin (vidange et essorage) d'environ 10 minutes apparaîtra sur l'afficheur de la durée résiduelle estimée.

3. Appuyer sur START (mise en marche).

IMPORTANT : L'eau sera d'abord distribuée pendant une certaine période dans la laveuse, puis le couvercle se déverrouillera, se verrouillera à nouveau, et enfin le programme Drain & Spin se poursuivra. Ceci est normal.

Clean Washer (nettoyage de la laveuse)

Utiliser le programme Clean Washer une fois par mois pour conserver l'intérieur de la laveuse frais et propre. Ce programme utilise un niveau d'eau plus élevé en combinaison avec l'agent de blanchiment liquide pour nettoyer à fond l'intérieur de la machine à laver. Voir "Nettoyage de la laveuse".



IMPORTANT : Ne pas verser de détergent pour ce programme de nettoyage. Utiliser uniquement un agent de blanchiment liquide. Ne pas placer de vêtements ou autres articles dans la laveuse pendant le programme Clean Washer. Utiliser ce programme avec une cuve de lavage vide.

Modificateurs

Les modificateurs vous permettent de personnaliser vos programmes et d'économiser de l'énergie.

Soil Level/Niveau de saleté (durée de lavage)

Le niveau de saleté est préréglé pour chaque programme. Voir "Préréglages de programmes" dans "Programmes". Lorsqu'on appuie sur la touche Soil Level, la durée du programme (en minutes) augmente ou diminue sur l'afficheur de la durée résiduelle estimée. Pour obtenir la durée de lavage minimum, appuyer sur la touche jusqu'à ce que le témoin lumineux proche de Light (lumière) s'allume. Il s'agit de la plus courte durée de lavage disponible pour ce programme.



- Pour la plupart des charges, utiliser la durée recommandée dans les préréglages de programme.
- Pour les tissus très sales et robustes, appuyer sur Soil Level (niveau de saleté) pour prolonger la durée de lavage, si nécessaire.
- Pour les tissus peu sales et délicats, appuyer sur Soil Level (niveau de saleté) pour abréger la durée de lavage, si nécessaire.

Spin Speed (vitesse d'essorage)

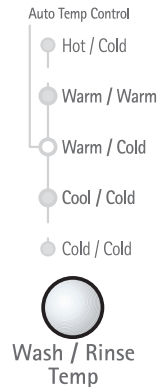
Cette laveuse sélectionne automatiquement la vitesse d'essorage en fonction du programme sélectionné. Les vitesses préréglées peuvent être modifiées. Les vitesses d'essorage peuvent varier en fonction du programme.



Wash/Rinse Temp (température de lavage/rinçage)

Sélectionner une température de l'eau selon le type de charge à laver. Utiliser l'eau de lavage la plus chaude sans danger pour les tissus. Suivre les instructions sur l'étiquette des vêtements.

Les rinçages à l'eau tiède rendent les charges plus sèches et facilitent leur manipulation. Cependant, les rinçages à l'eau tiède peuvent augmenter le froissement. Les rinçages à l'eau froide diminuent le risque de froissement et économisent de l'énergie.



Guide de température

Température de l'eau de lavage	Tissus suggérés
Hot (chaude)	Blancs et couleurs claires
Warm (tiède)	Couleurs vives
Cold (froide)	Couleurs plus foncées qui déteignent ou s'atténuent

REMARQUE : Dans les températures d'eau de lavage inférieures à 60°F (15,6°C), les détergents ne se dissolvent pas bien. Les saletés peuvent être difficiles à enlever.

Commande automatique de la température

La Commande automatique de la température (CAT) détecte et maintient électroniquement une température uniforme de l'eau de

lavage et de rinçage. La CAT régule l'arrivée d'eau chaude et d'eau froide. La fonction CAT est automatiquement activée lorsqu'un programme est sélectionné. (Voir "Préréglages de programmes" dans "Programmes".)

La fonction CAT est disponible avec les réglages Warm/Warm (tiède/tiède), Warm/Cold (tiède/froide) et Cool/Cold (fraîche/froide). La température de l'eau dans les réglages Hot/Cold (chaude/froide) et Cold/Cold (froide/froide) dépend de la température de l'eau aux robinets d'arrivée d'eau.

- La fonction CAT assure un nettoyage uniforme.
- L'eau chaude consomme la plus grande quantité d'énergie qu'une laveuse utilise.
- Les détergents actuels fonctionnent bien à des températures à 60°F (15,6°C).

Delay Start (mise en marche différée)

On peut utiliser la caractéristique Delay Start lorsqu'on souhaite différer la mise en marche du programme de lavage jusqu'à 13 heures (selon le modèle).

1. Charger la laveuse et remplir les distributeurs.
2. Rabattre le couvercle de la laveuse.
3. Appuyer sur POWER (alimentation).
4. Sélectionner le programme, les options et les modificateurs désirés.
5. Appuyer sur DELAY START (mise en marche différée). 1H (1 heure) s'affichera sur la fenêtre d'affichage de la durée. Le témoin lumineux pour Delay Start clignotera.



Delay Start

6. Pour un délai plus long, appuyer sur Delay Start. Le délai de mise en marche augmentera par incréments d'une heure.
7. Appuyer sur START (mise en marche). Le compte à rebours jusqu'au programme de lavage apparaîtra dans la fenêtre d'affichage de la durée et le témoin lumineux Delay Start clignotera.

REMARQUE : Il faut appuyer sur Start pour lancer le compte à rebours de début du programme.

Pour modifier l'heure de mise en marche différée :

- Appuyer sur STOP (arrêt).
- Appuyer sur DELAY START (mise en marche différée) pour sélectionner la durée de délai désirée.
- Appuyer sur START (mise en marche) pour commencer le compte à rebours.

Pour annuler la mise en marche différée :

Appuyer à nouveau sur START (mise en marche) pour mettre le programme en marche immédiatement, ou appuyer deux fois sur STOP (arrêt) pour annuler le programme.

Options

Utiliser ces touches pour sélectionner les options désirées pour votre programme de lavage.

OPTIONS

- Save Energy Plus
 - 2nd Rinse
 - Stain Treat
 - Auto Soak
 - Prewash
 - Loud
 - Soft
- Cycle Signal Volume

Save Energy Plus (économie d'énergie Plus)

L'option Save Energy Plus réduit les températures de l'eau de lavage et de rinçage pour économiser de l'énergie tout en prolongeant la durée de lavage d'environ 5 minutes pour maintenir la performance. Il est nécessaire de sélectionner cette option avant le début du programme. L'option Save Energy Plus est disponible uniquement avec les programmes Heavy Duty (service intense) et Whitest Whites (blancs les plus blancs).

2nd Rinse (2nd rinçage)

Un 2nd rinçage peut être effectué pour favoriser l'élimination des résidus de détergent ou d'agent de blanchiment sur les vêtements. Cette option fournit un rinçage additionnel avec une eau à la même température que pour le premier rinçage. Il s'agit du réglage de rinçage par défaut pour le programme Whitest Whites (blancs les plus blancs). L'assouplissant de tissu sera distribué pendant le 2nd rinçage.

Stain Treat /traitement des taches (action de nettoyage Catalyst®)

Cette option fournit une action de nettoyage améliorée pour les taches tenaces. Le programme Heavy Duty (service intense) comporte automatiquement l'option Stain Treat. La sélection de l'option Stain Treat prolongera le programme d'environ 5 minutes. L'option Stain Treat doit être activée sur une charge sèche uniquement et ne doit pas être sélectionnée après que la cuve a commencé à se remplir d'eau.

L'option Stain Treat peut être sélectionnée comme option avec d'autres programmes. Voir le tableau pour les détails.

Programme	Stain Treat (traitement des taches) (Prolonge le programme de lavage)
Whitest Whites (blancs les plus blancs)	Option
Heavy Duty (service intense)	Par défaut
Normal	Option
Casual/Wrinkle Free (tout-aller/anti-froissement)	Option
Express Wash (lavage rapide)	Option
Bulky/Bedding (articles encombrants/literie)	Non disponible
Sheets/Towels (draps/serviettes)	Non disponible
Darks/Colors (articles foncés/ couleurs)	Option
Delicate/Handwash (articles délicats/ articles lavables à la main)	Option

Auto Soak/Prewash (auto-trempage/prélavage)

Utiliser ces options pour les taches incrustées et les saletés qui demandent plus de temps pour être éliminées. Appuyer sur le bouton Option pour sélectionner Auto Soak/Prewash jusqu'à ce que le choix désiré s'allume.

- Lorsque l'option Auto Soak est sélectionnée, la laveuse sature la charge d'eau et de détergent et fait une pause pour permettre au détergent d'agir sur les taches. La pause est suivie d'un essorage à basse vitesse. La laveuse fait une pause et essore six fois avant d'avancer au programme de lavage désiré. L'option Auto Soak prolonge le programme de lavage d'environ 12 minutes.
- Lorsque Prewash est sélectionné, la laveuse se remplit jusqu'au niveau d'eau désiré. Elle alterne ensuite entre 1 minute d'action de lavage et une période de pause de 1 minute, 3 fois consécutives, avec une pause prolongée pour terminer le programme. Lorsque le pré-lavage est terminé, la laveuse avance jusqu'au programme de lavage sélectionné. L'option Prewash prolonge la durée de lavage d'environ 11 minutes.

Cycle Signal Volume (volume du signal de fin de programme)

Le signal de fin de programme émet un signal sonore qui indique la fin du programme de lavage. Ce signal est utile lorsqu'on retire les articles de la laveuse aussitôt qu'elle s'arrête. Sélectionner Loud (fort) ou Soft (doux). Le signal de fin de programme est éteint lorsqu'aucune option n'est allumée.

Fonctionnement des commandes

Start (mise en marche)

Appuyer sur START (mise en marche) pour mettre votre laveuse en marche après sélection d'un programme. S'assurer que tous les modificateurs et options désirés ont été sélectionnés. Le couvercle doit être fermé pour que la laveuse se mette en marche.



Stop (arrêt)

Appuyer une fois sur STOP (arrêt) pour arrêter ou mettre la laveuse en pause à tout moment. Appuyer sur START (mise en marche) pour reprendre le programme là où il s'était arrêté. Appuyer deux fois sur STOP (arrêt) pour éteindre la laveuse. Appuyer une fois sur STOP (arrêt) pour déverrouiller le couvercle et ajouter un vêtement.



Power (alimentation)

Appuyer sur POWER pour allumer ou éteindre la laveuse. La laveuse s'éteint automatiquement dans les 5 minutes qui suivent l'achèvement d'un programme.



Sons normaux

Votre nouvelle laveuse est susceptible de faire des sons que l'appareil précédent ne produisait pas. Comme ces sons ne vous sont pas familiers, ils peuvent vous inquiéter. Ces sons sont normaux.

Pendant le lavage

Si vous sélectionnez l'option Stain Treat (traitement des taches), vous entendrez un bruit d'essorage/vaporisation au début du programme.

Pendant la vidange

Si l'eau est évacuée rapidement de la laveuse (en fonction de votre installation), vous pouvez entendre l'air aspiré par la pompe à la fin de la vidange.

Pendant le lavage et l'essorage

Cette laveuse ne comporte pas de transmission. Le moteur fournit un entraînement direct pour le lavage et l'essorage. Vous entendrez des sons qui sont différents de ceux d'une laveuse conventionnelle.

CONSEILS DE LESSIVAGE

Préparation des vêtements pour le lavage

Suivre les recommandations suivantes pour prolonger la vie de vos vêtements.

- Toujours utiliser des détergents Haute efficacité (HE). Pour ce type de détergent, "HE" ou "Haute efficacité" sera mentionné sur l'emballage. Ce système de lavage, utilisant moins d'eau, provoquera trop de mousse avec un détergent ordinaire non-HE. L'utilisation d'un détergent ordinaire est susceptible d'occasionner des erreurs de la part de la laveuse, des durées de programmes plus longues et une performance de rinçage réduite. Ceci peut aussi entraîner des défaillances des composants et une moisissure perceptible. Les détergents HE tels que TIDE® HE sont conçus pour produire la quantité de mousse adéquate pour le meilleur rendement. Suivre les recommandations du fabricant de détergent pour déterminer la quantité de détergent à utiliser.



- Fermer les fermetures à glissière, les boutons-pression et les crochets pour éviter d'accrocher d'autres articles. Retirer les épingles, boucles et autres objets durs pour éviter d'égratigner l'intérieur de la laveuse. Ôter les garnitures et les ornements non lavables.
- Vider les poches et les retourner.
- Retourner les revers et enlever la charpie et la poussière avec une brosse.
- Retourner les tricots synthétiques pour éviter le boulochage.
- Attacher les cordons et les ceintures pour empêcher l'emmêlement.
- Raccorder les déchirures, les ourlets défaits et les coutures.
- Traiter les taches.
- Les vêtements tachés ou mouillés doivent être lavés sans délai pour obtenir les meilleurs résultats.

Tri

- Séparer les articles très sales des articles légèrement sales, même si on les lave normalement ensemble. Séparer les articles qui forment de la charpie (serviettes, chenille) des articles qui retiennent la charpie (velours côtelé, synthétiques, pressage permanent). Dans la mesure du possible, retourner les articles qui forment de la charpie.
- Séparer les couleurs foncées des couleurs claires et les articles grand teint des articles qui déteignent.
- Trier en fonction des tissus et de la confection (cotons solides, tricots, articles délicats).
- Séparer les articles encombrants, non absorbants tels que les couettes, oreillers et vestes avec rembourrage en polyester. Utiliser le programme Bulky/Bedding (articles encombrants/literie) pour ces articles.

- Séparer les draps, taies d'oreiller et serviettes et utiliser le programme Sheets/Towels (draps/serviettes) pour laver ces articles. Pour un meilleur rendement, déposer les articles en vrac de façon uniforme le long des parois du panier et ne pas charger d'articles directement sur l'impulseur dans ce programme.

Déchargement

- Retirer les vêtements de la laveuse une fois que le programme est terminé. Des objets en métal comme les fermetures à glissière, les boutons-pression et les boucles peuvent rouiller si on les laisse longtemps dans le panier de la laveuse.

ENTRETIEN DE LA LAVEUSE

Nettoyage de la laveuse

Procédure d'entretien de la laveuse

Cette laveuse comporte un programme spécial qui utilise des volumes d'eau plus importants en combinaison avec l'agent de blanchiment liquide pour nettoyer à fond l'intérieur de la machine à laver.

REMARQUES :

- Lire ces instructions complètement avant de débuter la procédure de nettoyage.
- Il est recommandé de laisser s'effectuer le programme de nettoyage au complet sans interruptions. Si nécessaire, le programme de nettoyage peut être interrompu en appuyant une fois sur le bouton Power ou deux fois sur le bouton Stop.

IMPORTANT : Si le programme de nettoyage est interrompu, effectuer un programme Rinse & Spin (rinçage et essorage) pour s'assurer que tout résidu d'agent de blanchiment a été éliminé de la laveuse.

Début de la procédure

1. Ouvrir le couvercle de la laveuse et retirer tout article de la laveuse.
2. Verser l'agent de blanchiment liquide dans le distributeur d'agent de blanchiment.
 - Verser 1 tasse (236,6 mL) d'agent de blanchiment liquide dans le distributeur d'agent de blanchiment.
3. Rabattre le couvercle.
4. Appuyer sur POWER (alimentation).
5. Appuyer sur CLEAN WASHER (nettoyage de la laveuse).
 - L'afficheur de la durée résiduelle estimée indiquera environ 60 minutes.
6. Appuyer sur START (mise en marche).
 - Le programme débutera et l'eau sera distribuée dans la laveuse pendant une certaine période et fera une pause; ensuite le couvercle se verrouillera et le programme se poursuivra.

- Une fois que le programme de nettoyage a commencé, laisser le programme s'achever. La durée estimée du programme apparaîtra sur l'afficheur.
- Si la procédure ne permet pas de remédier suffisamment aux problèmes de fraîcheur de la machine, examiner les conditions d'installation et d'utilisation pour déceler d'autres causes.

Toujours suivre la procédure qui suit pour préserver la fraîcheur de la laveuse

- Utiliser uniquement un détergent Haute efficacité (HE).

Nettoyage de l'extérieur

Utiliser une éponge ou un linge doux humide pour essuyer les renversements. Essuyer occasionnellement les surfaces externes de la laveuse pour maintenir son apparence d'appareil neuf. Utiliser un savon doux et de l'eau. Ne pas utiliser des produits abrasifs.

Tuyaux d'arrivée d'eau

Remplacer les tuyaux d'arrivée d'eau après 5 ans d'utilisation pour réduire le risque de défaillance intempestive. Inspecter périodiquement les tuyaux; les remplacer en cas de renflement, de déformation, de coupure et d'usure ou si une fuite se manifeste.

Lorsque vous remplacez vos tuyaux d'arrivée d'eau, noter la date de remplacement au marqueur indélébile sur l'étiquette.

Précautions à prendre avant les vacances, un entreposage ou un déménagement

Installer et remettre la laveuse à l'abri du gel. L'eau qui peut rester dans les tuyaux risque d'abîmer la laveuse en temps de gel. Si la laveuse doit faire l'objet d'un déménagement ou de remisage au cours d'une période de gel, préparer l'appareil pour l'hiver.

Entretien en cas de non-utilisation ou de période de vacances :

Faire fonctionner la laveuse seulement lorsqu'on est présent. Si vous devez partir en vacances ou ne pas utiliser la laveuse pendant une période prolongée, vous devez exécuter les opérations suivantes :

- Débrancher la laveuse ou déconnecter la source de courant électrique.
- Fermer l'alimentation d'eau de la laveuse. Ceci aide à éviter les inondations accidentelles (dûes à une augmentation de la pression) quand vous êtes absent.

Préparation de la laveuse pour l'hiver :

1. Fermer les deux robinets d'eau.
2. Débrancher et vidanger les tuyaux d'arrivée d'eau.
3. Verser 1 pinte (1 L) d'antigel pour véhicule récréatif dans le panier.
4. Faire fonctionner la laveuse au réglage Rinse & Spin (rinçage et essorage) pendant environ 30 secondes pour mélanger l'antigel à l'eau qui reste.
5. Débrancher la laveuse ou déconnecter la source de courant électrique.

Remise en marche de la laveuse :

1. Vidanger les canalisations d'eau et les tuyaux. Reconnecter les tuyaux d'arrivée d'eau. Ouvrir les deux robinets d'eau.

AVERTISSEMENT



Risque de choc électrique

Brancher sur une prise à 3 alvéoles reliée à la terre.

Ne pas enlever la broche de liaison à la terre.

Ne pas utiliser un adaptateur.

Ne pas utiliser un câble de rallonge.

Le non-respect de ces instructions peut causer un décès, un incendie ou un choc électrique.

2. Brancher la laveuse ou reconnecter la source de courant électrique.
3. Faire exécuter à la laveuse un programme Bulky/Bedding (articles encombrants/literie) sans linge avec la moitié de la quantité normale recommandée de détergent pour éliminer l'antigel.

Transport de la laveuse :

1. Fermer les deux robinets d'eau.
2. Débrancher et vidanger les tuyaux d'arrivée d'eau.
3. Si la laveuse doit être déplacée en temps de gel, mettre une pinte (1 L) d'antigel de type R.V. dans le panier. Faire fonctionner la laveuse au réglage Rinse & Spin (rinçage et essorage) pendant environ 30 secondes pour mélanger l'antigel à l'eau qui reste.
4. Déconnecter le tuyau de vidange du système de vidange.
5. Débrancher le cordon d'alimentation.
6. Placer les tuyaux d'arrivée d'eau dans le panier.
7. Faire passer le cordon d'alimentation et le tuyau de vidange par le dessus et les mettre dans le panier.
8. Placer l'anneau d'emballage en mousse provenant des matériaux d'expédition sur le dessus de la laveuse. Si vous n'êtes pas en possession de l'anneau d'emballage en mousse original, placer des couvertures lourdes, des serviettes, etc. dans l'ouverture du panier. Fermer le couvercle et le bloquer en utilisant du ruban adhésif vers le bas de l'avant de la laveuse.

Réinstallation de la laveuse

1. Suivre les "Instructions d'installation" pour choisir l'emplacement, régler l'aplomb de la laveuse et la raccorder.
2. Faire exécuter à la laveuse un programme Bulky/Bedding (articles encombrants/literie) sans linge avec la moitié de la quantité normale recommandée de détergent pour éliminer l'antigel, le cas échéant.

DÉPANNAGE

Essayer d'abord les solutions suggérées ici, ce qui vous évitera peut-être le coût d'une visite de service...

La laveuse et ses composants

La laveuse affiche des messages codés

- **LF “LF” (La laveuse prend trop de temps pour se remplir)**
Vérifier ce qui suit :
Les tuyaux d'arrivée d'eau sont-ils déformés ou obstrués?
Les tamis de la valve d'arrivée d'eau sont-ils dégagés?
Appuyer sur STOP (arrêt) pour remettre l'affichage à zéro.
- **Ld “Ld” (La laveuse prend trop de temps pour vidanger l'eau provenant de la cuve de lavage)**
Vérifier ce qui suit :
Le tuyau de vidange est-il déformé ou obstrué?
Le tuyau de vidange est-il correctement installé? Voir “Raccordement du tuyau de vidange”. Appuyer sur STOP (arrêt) pour remettre l'affichage à zéro.
- **uL “uL” (charge déséquilibrée)**
Si la charge est déséquilibrée, la laveuse affiche ce code tout en mettant en route une procédure de rééquilibrage de la charge à la fin du programme de lavage et avant l'essorage final. Si le code reste affiché et que le bouton de commande du programme de lavage clignote alors que la procédure de rééquilibrage est terminée, ouvrir le couvercle et redistribuer la charge. Fermer le couvercle et appuyer sur START.
- **oL “oL” (surcharge)**
La laveuse est-elle surchargée? La laveuse a tenté de se remplir et de commencer le programme de lavage. Si la laveuse est surchargée, elle évacue toute eau et tout détergent ajoutés au cours du remplissage. Pour mettre fin à l'état de surcharge, retirer quelques articles et verser le détergent. Fermer le couvercle et appuyer sur START.
- **Sd “Sd” (excès de mousse détecté)**
Avez-vous utilisé un détergent ordinaire?
Les détergents ordinaires ou de lavage à la main ne sont pas recommandés pour cette laveuse. Utiliser uniquement un détergent Haute efficacité (“HE”).



Avez-vous versé trop de détergent?

Toujours mesurer la quantité de détergent. Suivre les directives du fabricant de détergent.

En cas d'excès de mousse détecté, la laveuse affiche ce code en mettant en route une procédure d'élimination de l'excès de mousse à la fin du programme de lavage. Cette procédure élimine l'excès de mousse et permet un rinçage satisfaisant de vos vêtements. Si le code reste affiché et que le bouton de commande du programme de lavage clignote alors que la procédure d'élimination de l'excès de mousse est terminée, sélectionner à nouveau le programme désiré en utilisant de l'eau froide. Appuyer sur START (mise en marche). Ne pas ajouter de détergent.

- **ld “ld” (couvercle ouvert)**
Le couvercle est-il ouvert? Fermer le couvercle pour remettre l'affichage à zéro. Si le couvercle reste ouvert pendant plus de 10 minutes, l'eau de la cuve sera vidangée.

- **HE “HC” (tuyaux d'eau chaude et d'eau froide inversés)**
Ce code s'affiche à la fin du programme de lavage pour indiquer que les tuyaux d'arrivée d'eau chaude et d'eau froide sont inversés. Voir “Raccordement des tuyaux d'alimentation”.
- **dL “dL” (verrouillage porte/couvercle impossible)**
Indique que le couvercle n'est pas verrouillé. Vérifier qu'aucun article n'est pris dans le couvercle et empêche sa fermeture. Appuyer une fois sur STOP pour effacer le code.
- **dU “dU” (déverrouillage porte/couvercle impossible)**
Y a-t-il un poids excessif sur le couvercle, tel qu'un panier de lessive? Le poids excessif empêchera le couvercle de se déverrouiller. Appuyer une fois sur STOP pour effacer le code.
- **F## Code “F##”**
Appuyer une fois sur STOP pour effacer le code. Appuyer sur START (mise en marche). Si le code réapparaît, faire un appel de service.

Bruit, vibrations, déséquilibre

- **La laveuse est-elle d'aplomb? La laveuse bascule-t-elle lorsqu'on la pousse contre les coins?**
La laveuse doit être d'aplomb. Les pieds avant et arrière doivent être bien en contact avec le plancher. Vérifier que les écrous de blocage sont serrés. Voir “Réglage de l'aplomb de la laveuse”.
- **Le plancher est-il souple, affaissé ou pas d'aplomb?**
Un plancher souple ou qui n'est pas d'aplomb peut provoquer bruit et vibrations de la part de la laveuse. Un morceau de contreplaqué de 3/4" (1,9 cm) sous la laveuse réduira les sons. Voir “Exigences d'emplacement”.
- **La charge est-elle équilibrée?**
Répartir uniformément la charge dans le panier de la laveuse et veiller à ce que la hauteur de la charge n'excède pas la rangée de trous supérieure du panier. Voir “Mise en marche de la laveuse”.
- **Entendez-vous un cliquetis ou d'autres bruits lors des changements de programme de lavage à vidange ou essorage?**
Lors du déplacement du système d'entraînement ou lorsque le panier de la laveuse se met en place entre les programmes, il est possible d'entendre des bruits que la précédente laveuse ne faisait pas. Ce sont des bruits normaux pour la laveuse.
- **La laveuse fait-elle un bruit de gargouillement ou de bourdonnement?**
Au moment de la vidange, la pompe émet un bourdonnement continu avec des sons réguliers de gargouillement et de pompage à mesure que les dernières quantités d'eau sont évacuées. Ceci est normal.
- **Lavez-vous une petite charge?**
Vous entendrez davantage de bruits d'éclaboussement en cas de lavage de petites charges. Ceci est normal.
- **Le panier de la laveuse se déplace pendant le lavage.**
Ceci est normal.
- **Entendez-vous un bruit d'éclaboussement d'eau?** Ceci fait partie de l'action de lavage.

■ **Lavez-vous des articles avec agrafes en métal, boucles ou fermetures à glissière?**

Vous pouvez entendre le bruit des articles métalliques touchant le panier. Ceci est normal.

■ **Avez-vous sélectionné le programme Bulky/Bedding (articles encombrants/literie)?**

Utiliser le programme Bulky/Bedding uniquement pour les articles surdimensionnés, non absorbants tels que les couettes, les oreillers ou les vestes avec rembourrage en polyester. L'utilisation de ce programme pour d'autres articles occasionnera un déséquilibre de la charge.

La laveuse fuit

■ **Les tuyaux de remplissage sont-ils serrés?**

■ **Les rondelles des tuyaux de remplissage d'eau sont-elles correctement installées?**

Vérifier les deux extrémités de chaque tuyau. Voir "Raccordement des tuyaux d'alimentation".

■ **Avez-vous tiré le tuyau de vidange hors de la caisse de la laveuse et installé celui-ci dans un tuyau de rejet à l'égout ou un évier de buanderie?**

Le tuyau de vidange doit être tiré de la caisse de la laveuse et immobilisé au tuyau de rejet à l'égout ou à l'évier de buanderie. Voir "Raccordement du tuyau de vidange" et "Immobilisation du tuyau de vidange".

■ **L'évier ou le conduit d'évacuation est-il obstrué?**

L'évier et le tuyau de rejet à l'égout doivent pouvoir drainer 17 gal. (64 L) d'eau par minute. Si l'évier ou le tuyau de rejet à l'égout est obstrué ou ralenti, l'eau peut refouler du tuyau de rejet à l'égout ou de l'évier.

■ **De l'eau gicle-t-elle de l'anneau de la cuve ou de la charge?**

La charge de lavage doit être équilibrée et pas surchargée. Si la charge de lavage est déséquilibrée ou surchargée, l'eau entrante peut être déviée de la charge.

■ **La laveuse est-elle correctement installée?**

La laveuse doit être d'aplomb. Les pieds doivent être correctement installés et les écrous serrés. Voir "Réglage de l'aplomb de la laveuse".

■ **Le programme a-t-il été interrompu et l'option Stain Treat (traitement des taches) sélectionnée par la suite?**

L'option Stain Treat doit être activée sur une charge sèche uniquement. L'option Stain Treat ne doit pas être sélectionnée après le début du remplissage de la cuve d'eau.

■ **Avez-vous sélectionné l'option Stain Treat et utilisé un détergent de lavage à la main?**

Les détergents ordinaires ou de lavage à la main ne sont pas recommandés pour cette laveuse. Utiliser uniquement un détergent Haute efficacité ("HE").



■ **Vérifier la plomberie du domicile (éviers de buanderie, robinets, tuyau de rejet à l'égout, conduites d'eau) pour voir s'il y a des fuites.**

Fonctionnement du distributeur

■ **Les additifs de lessive se trouvent-ils dans le distributeur adéquat?**

Verser les quantités appropriées de détergent (en poudre ou liquide), d'agent de blanchiment liquide ou d'assouplissant de tissu dans le distributeur adéquat. Vous pouvez ajouter un agent de blanchiment en poudre ou liquide sans danger pour les couleurs dans le distributeur de détergent. Veiller à utiliser un agent de blanchiment en poudre sans danger pour les couleurs avec un détergent en poudre approprié ou un agent de blanchiment liquide sans danger pour les couleurs avec un détergent liquide approprié. Utiliser seulement un agent de blanchiment liquide dans le distributeur d'agent de blanchiment.

■ **Reste-t-il de l'eau au fond d'un distributeur? Le distributeur s'est-il vidangé correctement?**

Une petite quantité d'eau peut être restée dans un distributeur à la fin du programme. Ceci est normal.

Fonctionnement de la laveuse

⚠ AVERTISSEMENT



Risque de choc électrique

Brancher sur une prise à 3 alvéoles reliée à la terre.

Ne pas enlever la broche de liaison à la terre.

Ne pas utiliser un adaptateur.

Ne pas utiliser un câble de rallonge.

Le non-respect de ces instructions peut causer un décès, un incendie ou un choc électrique.

La laveuse ne se remplit pas, ne rince pas ou l'agitateur ne tourne pas; la laveuse s'arrête

■ **Le cordon d'alimentation est-il branché dans une prise à 3 alvéoles reliée à la terre?**

Brancher le cordon d'alimentation dans une prise à 3 alvéoles reliée à la terre.

■ **Utilisez-vous un câble de rallonge?**

Ne pas utiliser un câble de rallonge.

■ **La prise est-elle alimentée par le courant électrique?**

Vérifier la source de courant électrique ou appeler un électricien.

■ **L'indicateur sur le bouton de commande de programme est-il correctement aligné avec un programme?**

Tourner le bouton de commande de programme légèrement vers la droite et le tirer pour mettre en marche.

■ **Les tamis de la valve d'arrivée d'eau sont-ils obstrués?**

Couper l'arrivée d'eau et retirer les tuyaux d'arrivée d'eau de la laveuse. Ôter toute pellicule ou particules accumulées. Réinstaller les tuyaux, ouvrir l'arrivée d'eau et vérifier s'il y a des fuites.

■ **Les robinets d'eau chaude et d'eau froide sont-ils ouverts?**

Ouvrir les robinets d'eau.

- **Le tuyau d'arrivée d'eau est-il déformé?**
Redresser les tuyaux.
- **Le niveau d'eau semble-t-il trop bas, ou la laveuse ne se remplit-elle pas complètement?**
La caractéristique de niveau d'eau automatique détecte le volume de la charge et ajoute en conséquence la quantité correcte d'eau. Pendant un programme, il est possible de remarquer que la charge de lavage n'est pas complètement immergée dans l'eau. Ceci est normal et nécessaire au mouvement des vêtements.
- **Un fusible est-il grillé ou le disjoncteur s'est-il déclenché?**
Remplacer le fusible ou réenclencher le disjoncteur. Si le problème persiste, appeler un électricien.
- **La laveuse fait-elle une pause normale au cours du programme?**
La laveuse peut faire une pause au cours de certains programmes. Laisser le programme se poursuivre.
- **La laveuse est-elle surchargée?**
Laver des charges plus petites. Voir "Mise en marche de la laveuse" pour la taille de charge maximale.
- **Y a-t-il un excès de mousse?**
Annuler le programme en cours. Appuyer sur RINSE/DRAIN & SPIN (rinçage/vidange et essorage) pour vidanger la charge. Sélectionner à nouveau le programme désiré et appuyer sur START (mise en marche). Ne pas ajouter de détergent. Utiliser de l'eau froide.
- **Le couvercle est-il ouvert?**
Le couvercle doit être fermé lorsque la laveuse est en marche. La laveuse ne fonctionnera pas si le couvercle est ouvert.
- **Avez-vous ajouté des articles à la charge alors que la laveuse avait commencé un programme?**
Une fois que la charge est mouillée, il peut sembler y avoir de la place pour des vêtements supplémentaires. Ne pas ajouter plus de 1 ou 2 vêtements après le début du programme. Pour des résultats optimaux, déterminer le volume de la charge avec des articles secs uniquement.

La laveuse continue de se remplir ou la vidange se poursuit, ou le programme semble bloqué

- **Le dessus du tuyau de vidange est-il plus bas que les boutons de commande sur la laveuse?**
Le dessus du tuyau de vidange doit être au moins à 39" (99 cm) au-dessus du plancher. Voir "Système de vidange".
- **Le tuyau de vidange est-il trop serré dans le tuyau de rejet à l'égout, ou est-il fixé au tuyau de rejet à l'égout avec du ruban adhésif?**
Le tuyau de vidange doit être lâche mais bien fixé. Ne pas sceller le tuyau de vidange avec du ruban adhésif. Le tuyau a besoin d'une ouverture pour l'air. Voir "Instructions d'installation".

La laveuse n'effectue pas de vidange ni d'essorage; l'eau reste dans la laveuse

- **Le tuyau de vidange est-il obstrué ou l'extrémité du tuyau de vidange se trouve-t-elle à plus de 96" (244 cm) au-dessus du plancher?**
Voir "Système de vidange".
- **Le couvercle est-il ouvert?**
Le couvercle doit être fermé lorsque la laveuse est en marche. La laveuse ne fonctionnera pas si le couvercle est ouvert.

- **Y a-t-il un excès de mousse?**
Toujours mesurer la quantité de détergent. Suivre les directives du fabricant de détergent. Si l'eau est très douce, on peut utiliser moins de détergent. Utiliser uniquement un détergent Haute efficacité ("HE").



Température de lavage/rinçage

- **Les robinets d'arrivée d'eau chaude et froide ont-ils été inversés?**
Si les robinets d'eau chaude et d'eau froide ont été inversés, la laveuse affiche un code d'erreur "HC" à la fin du programme. Voir "Raccordement des tuyaux d'alimentation".
- **Lavez-vous un nombre important de charges?**
Lorsque la fréquence de charges lavées augmente, la température de l'eau peut baisser lorsqu'on choisit une température chaude ou tiède. Ceci est normal.
- **Avez-vous sélectionné l'option Save Energy Plus (économie d'énergie Plus)?**
L'option Save Energy Plus abaisse les températures de l'eau de lavage et de rinçage pour économiser l'énergie. Il est nécessaire de sélectionner cette option avant le début du programme. L'option Save Energy Plus est disponible uniquement avec les programmes Heavy Duty (service intense) et Whitest Whites (blancs les plus blancs).
- **Possédez-vous une laveuse ENERGY STAR?**
Les températures de l'eau de lavage peuvent sembler plus froides que celles de votre précédente laveuse. Ceci est normal.
- **La température de l'eau de lavage paraît-elle plus basse que d'habitude?**
Au fur et à mesure de l'avancement du programme, la température de l'eau de lavage diminuera légèrement pour les lavages à l'eau chaude et à l'eau tiède. Ceci est normal.

Pour réduire les faux plis, le rinçage à l'eau tiède est réglé de façon à être plus froid que le lavage à l'eau tiède.

Excès de mousse

- **Avez-vous utilisé un détergent non-HE?**
Les détergents ordinaires ou de lavage à la main ne sont pas recommandés pour cette laveuse. Utiliser uniquement un détergent Haute efficacité ("HE").



- **Y a-t-il un excès de mousse?**
Toujours mesurer la quantité de détergent. Suivre les directives du fabricant de détergent. Si l'eau est très douce, on peut utiliser moins de détergent.
- **Le programme a-t-il été interrompu et l'option Stain Treat (traitement des taches) sélectionnée par la suite?**
L'option Stain Treat doit être activée sur une charge sèche uniquement. L'option Stain Treat ne doit pas être sélectionnée après le début du remplissage de la cuve d'eau.

L'option Stain Treat n'a pas été activée durant le programme

- **Avez-vous sélectionné l'option Stain Treat?**
L'option Stain Treat doit être sélectionnée pour pouvoir être incluse dans un programme de lavage. Elle doit être activée sur une charge sèche uniquement. L'option Stain Treat ne doit pas être sélectionnée après le début du remplissage de la cuve d'eau.
- L'option Stain Treat est une option par défaut dans le programme Heavy Duty (service intense) et peut être ajoutée aux autres programmes.

Soin des vêtements

Charge trop mouillée

- **Avez-vous utilisé le bon programme pour la charge à laver?**
Choisir un programme avec une vitesse d'essorage plus élevée.
- **Avez-vous utilisé un rinçage à froid?**
Les charges sont plus humides après un rinçage à froid qu'après un rinçage à chaud. Ceci est normal.
- **Avez-vous lavé une très grosse charge?**
Une grosse charge déséquilibrée peut entraîner une réduction de la vitesse d'essorage et mouiller les vêtements à la fin du programme. Répartir uniformément la charge et veiller à ce que la hauteur de la charge n'excède pas la rangée de trous supérieure du panier.

Résidus ou charpie sur le linge

- **Avez-vous versé le détergent dans le distributeur?**
Pour des résultats optimaux, utiliser le distributeur pour dissoudre le détergent.
- **Avez-vous effectué le tri correctement?**
Trier les articles causant la charpie (serviettes, chenille) des articles qui retiennent la charpie (velours côtelé, synthétiques). Trier également en fonction des couleurs.
- **Avez-vous surchargé la laveuse?**
La charge de lavage doit être équilibrée et pas surchargée. Les charges doivent pouvoir culbuter librement. De la charpie ou du détergent en poudre peuvent être coincés dans la charge s'il y a surcharge. Laver des charges plus petites. Voir "Mise en marche de la laveuse" pour la taille de charge maximale.
- **Avez-vous utilisé suffisamment de détergent?**
Suivre les directives du fabricant de détergent. Utiliser suffisamment de détergent pour maintenir la charpie dans l'eau.
- **Avez-vous fait sécher vos vêtements sur un fil à linge?**
Si c'est le cas, attendez-vous à trouver de la charpie sur les vêtements. Le mouvement de l'air et le culbutage d'une sècheuse suppriment la charpie de la charge.
- **Avez-vous laissé du papier ou des mouchoirs en papier dans les poches?**
- **La température de l'eau est-elle inférieure à 60°F (15,6°C)?**
Une eau de lavage dont la température est inférieure à 60°F (15,6°C) peut ne pas dissoudre complètement le détergent.

- **Avez-vous utilisé le niveau de saleté et le programme de lavage appropriés pour la charge?**
La diminution de la durée et de la vitesse de lavage constituent un moyen de réduire la charpie.
- **Avez-vous versé le détergent dans le distributeur?**
Pour des résultats optimaux, utiliser le distributeur pour dissoudre le détergent.

La charge est froissée, entortillée ou enchevêtrée

- **Avez-vous déchargé la laveuse immédiatement?**
Décharger la laveuse dès qu'elle s'arrête.
- **Avez-vous utilisé le bon programme pour la charge à laver?**
Pour réduire le froissement, l'entortillement et l'enchevêtrement, sélectionner un programme avec vitesses de lavage et d'essorage basses, tels que les programmes Delicate (articles délicats) ou Casual/Wrinkle Free (tout/aller/anti-froissement).
- **Avez-vous surchargé la laveuse?**
La charge de lavage doit être équilibrée et pas surchargée. Les charges doivent pouvoir se déplacer librement durant le lavage pour réduire le froissement, l'entortillement et l'enchevêtrement.
- **L'eau de lavage était-elle suffisamment chaude pour réduire le froissement?**
Si c'est sans danger pour la charge, utiliser une eau de lavage tiède ou chaude. Utiliser une eau de rinçage froide.
- **Les robinets d'eau chaude et froide ont-ils été inversés?**
Vérifier que les tuyaux d'eau chaude et d'eau froide sont connectés aux bons robinets. Si les robinets d'eau chaude et d'eau froide ont été inversés, la laveuse affiche un code d'erreur "HC" à la fin du programme. Voir "Raccordement des tuyaux d'alimentation". Un rinçage à l'eau chaude suivi d'un essorage provoquera un froissement.

Taches, blancs grisâtres, couleurs défraîchies

- **Avez-vous bien trié la charge?**
Le transfert de teinture peut se produire lors du mélange d'articles blancs et de couleur dans une même charge. Séparer les articles de teinte foncée des articles blancs ou clairs.
- **La température de lavage était-elle trop basse?**
Utiliser les lavages à l'eau tiède ou chaude si celle-ci est sans danger pour la charge. S'assurer que le système d'eau chaude est adéquat pour fournir un lavage à l'eau chaude.
- **Avez-vous utilisé suffisamment de détergent, ou avez-vous une eau dure?**
Utiliser plus de détergent pour laver la saleté intense à l'eau froide ou dure. La température de l'eau doit être d'au moins 60°F (15,6°C) pour que le détergent se dissolve et fonctionne correctement. Pour des résultats optimaux, utiliser les quantités recommandées par le fabricant de détergent.
- **Avez-vous suivi les directives du fabricant pour l'addition de détergent et d'assouplissant?**
Mesurer la quantité de détergent et d'assouplissant de tissu. Utiliser suffisamment de détergent pour enlever la saleté et la maintenir en suspension. Diluer l'assouplissant et l'ajouter seulement à la section de rinçage d'un programme. Ne pas laisser couler d'assouplissant de tissu sur les vêtements.
- **La présence de fer (rouille) dans l'eau est-elle supérieure à la moyenne?**
Vous aurez peut-être besoin d'installer un filtre à fer.

- **Avez-vous versé le détergent dans le distributeur?**
Pour des résultats optimaux, utiliser le distributeur pour dissoudre le détergent.
- **Avez-vous versé l'assouplissant de tissu directement sur la charge?**
Utiliser le distributeur d'assouplissant de tissu. Ne pas laisser couler d'assouplissant de tissu sur les vêtements.
- **Avez-vous utilisé une boule distributrice d'assouplissant de tissu?**
Utiliser le distributeur d'assouplissant de tissu fourni avec la laveuse. Les boules distributrices ne fonctionnent pas correctement avec cette laveuse.
- **Avez-vous déchargé la laveuse immédiatement?**
Pour éviter le transfert de teinture, décharger la laveuse dès qu'elle s'arrête.
- **Avez-vous versé le détergent, l'agent de blanchiment liquide ou l'assouplissant de tissu trop tard dans le programme?**
Le détergent, l'agent de blanchiment liquide et l'assouplissant de tissu doivent être ajoutés aux distributeurs avant la mise en marche de la laveuse.
- **Avez-vous utilisé le programme Express Wash (lavage rapide) pour une grande charge?**
Le programme Express Wash est conçu pour le lavage de quelques articles seulement pour des résultats optimaux.
- **Les cordons et les ceintures ont-ils été attachés pour éviter l'enchevêtrement?**
Les bretelles et les cordons peuvent facilement s'emmêler dans la charge, ce qui cause une déformation des coutures et des déchirements.
- **Les articles étaient-ils endommagés avant le lavage?**
Raccorder les déchirures et repriser les fils cassés des coutures avant le lavage.
- **Avez-vous surchargé la laveuse?**
La charge de lavage doit être équilibrée et pas surchargée. Les charges doivent pouvoir culbuter librement durant le lavage.
- **Avez-vous versé l'agent de blanchiment correctement?**
Ne pas verser l'agent de blanchiment directement sur la charge. Essuyer tous les renversements d'agent de blanchiment. Un agent de blanchiment non dilué endommagera les tissus. Ne pas placer des articles de la charge sur le dessus du distributeur d'agent de blanchiment lorsque vous chargez et déchargez la laveuse (sur certains modèles). Ne pas utiliser plus que la quantité recommandée par le fabricant pour une charge complète.
- **Avez-vous suivi les instructions d'entretien du fabricant indiquées sur l'étiquette du vêtement?**

Endommagement des vêtements

- **Les articles pointus ont-ils été retirés des poches avant le lavage?**
Vider les poches, fermer les fermetures à glissière, les boutons pression et les agrafes avant le lavage pour éviter d'accrocher et de déchirer la charge.

Get it fixed, at your home or ours!

Your Home

For repair – **in your home** – of **all** major brand appliances, lawn and garden equipment, or heating and cooling systems, **no matter who made it, no matter who sold it!**

For the replacement parts, accessories and owner's manuals that you need to do-it-yourself.

For Sears professional installation of home appliances and items like garage door openers and water heaters.

1-800-4-MY-HOME® (1-800-469-4663)

Call anytime, day or night (U.S.A. and Canada)

www.sears.com www.sears.ca

Our Home

For repair of carry-in items like vacuums, lawn equipment, and electronics, call or go on-line for the location of your nearest **Sears Parts & Repair Center.**

1-800-488-1222

Call anytime, day or night (U.S.A. only)

www.sears.com

To purchase a protection agreement (U.S.A.) or maintenance agreement (Canada) on a product serviced by Sears:

1-800-827-6655 (U.S.A.)

1-800-361-6665 (Canada)

Para pedir servicio de reparación a domicilio, y para ordenar piezas:

1-888-SU-HOGAR®

(1-888-784-6427)

Au Canada pour service en français:

1-800-LE-FOYER^{MC}

(1-800-533-6937)

www.sears.ca



® Registered Trademark / TM Trademark / SM Service Mark of Sears Brands, LLC, used under licensee by Sears Canada.

® Marca Registrada / TM Marca de comercio / SM Marca de Servicio de Sears Brands LLC, usada bajo licencia de Sears Canada.

© Marque déposée / TM Marque de commerce / SM Marque de service de Sears Brands LLC, en vertu d'un porteur de licence par Sears Canada.