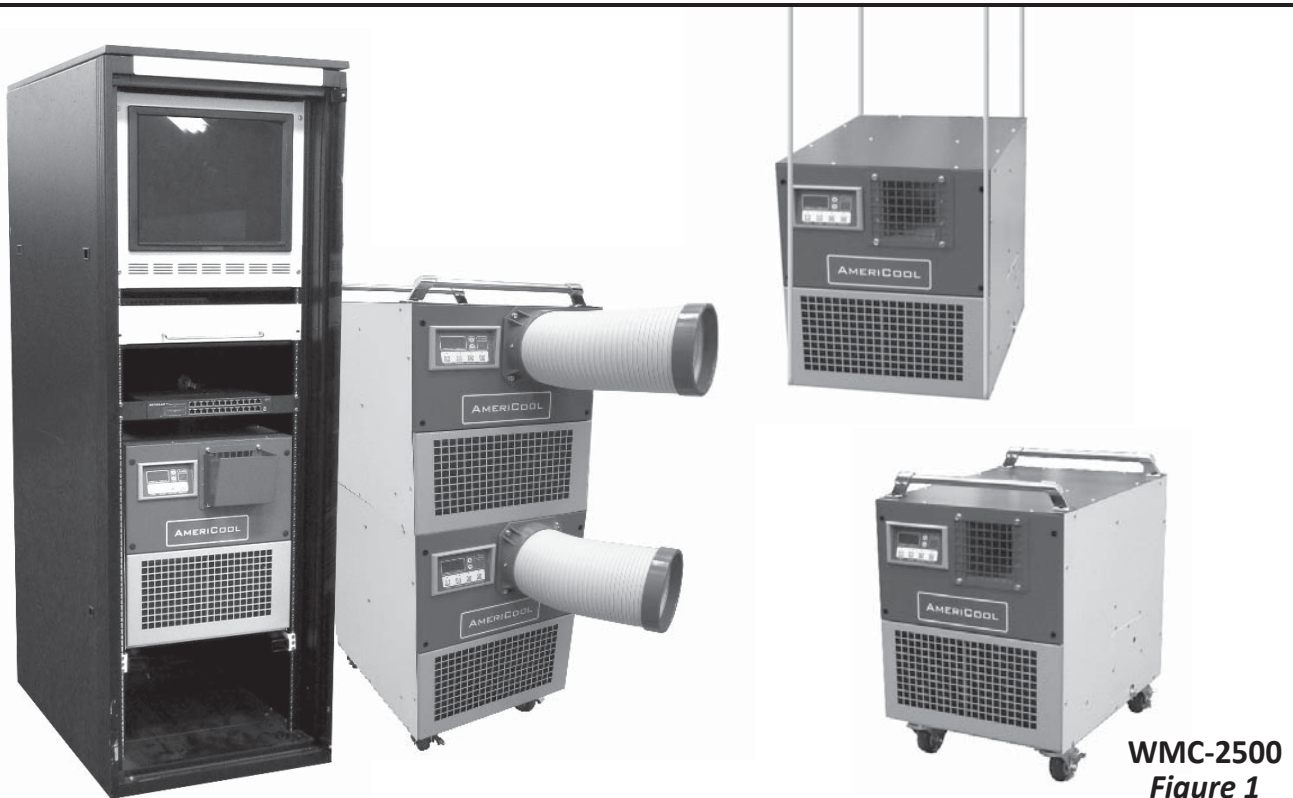


Please read and save these instructions. Read carefully before attempting to assemble, install, operate or maintain the product described.

Protect yourself and others by observing all safety information. Failure to comply with instructions could result in personal injury and property damage! Retain instructions for future reference.

AMERICOOOL by WELTEM Modular Multi Air Conditioner



WMC-2500
Figure 1

Description

Weltem Modular Multi Air conditioner feature multi-function spot cooler providing various accessories available to fit customer needs. This Unit is used to spot cooling for large areas where cooling of the entire area is not practical or possible. A dedicated spot cooling thermostat controls the unit in this application. This Unit can also be used in smaller areas for room cooling.

A control panel provides ease of use and contains a self-diagnostic function and display, showing operating modes, room and set temperatures, and faults, If an abnormal operation occurs, a visual display of the fault is shown.

Suitable applications include :

a factory or work place, computer rooms, emergency cooling, outdoor event, etc..

Unpacking

After unpacking the unit, carefully inspect unit for any damage that may have occurred during transit. Check for any loose, missing or damaged parts.

Table of Contents

SPECIFICATION	4
GENERAL SAFETY INFORMATION	4
APPLICATIONS	6
Portable	
Server Rack	
Mounted, Hang	
Stack	
ASSEMBLY (STANDARD)	7
Component Parts	
Power Cord Holder	
ASSEMBLY (PORTABLE)	8
Component Parts	
Handle	
Cool air duct assembly	
Caster	
ASSEMBLY (SERVER RACK)	9
Component Parts	
Universal adjust	
Rack Assembly	
Rack Diffuser	
ASSEMBLY (MOUNTED, HANG)	10
Condenser Intake Air Duct Flange	
Eva Intake Air Duct Flange	
Hanging Kit	
ASSEMBLY (STACK)	12
Universal Adjust	
Stacking Bracket	
INSTALLATION GUIDE	13
Moving the Unit	
Plugging the Unit	
OPERATION	14
Control Panel	
MAINTENANCE	16
Filter Cleaning	
WIRING DIAGRAM	20
TROUBLESHOOTING	21
LIMITED WARRANTY	24

Thank you for selecting this AmeriCool by Weltem Modular Air Conditioner. It provides you with spot cooling for large areas where cooling of an entire area is not practical or possible. **Please read this manual** before installing the WMC-2500 as it provides important information that should be followed during installation and maintenance of the Portable Air Conditioner, allowing you to correctly set up your system for the maximum safety and performance. Included is information on customer support and service, if it is required. If you experience a problem with the unit, please refer to the Troubleshooting section in this manual to correct the problem. If the problem is not corrected, please collect information so that the Technical Support personnel can more effectively assist you.

Shipping list

Modular air conditioner 1 unit

Owner's Manual 1 pcs

Power Cord Holder 1 pcs

Drain hose (20ft length) 1 pcs

* The WMC-2500 is used in conjunction with various accessories to adapt to your environmental needs. These accessories (Portable Kit, Server Rack Kit, Hanging Kit, Stack Kit) are sold separately to allow you to customize the WMC-2500 to your specific needs

Specifications

Model No.	Power Supply Ph-V-Hz	Cooling Capacity Btu/h	Power Consumption Watts	Rated Current Amps	EER Btu/Wh
WMC-2500	Single Phase, 115V, 60Hz	10,000	1000	10	10.0
Model No.	Nema Plug	Power Cord Gauge AWG	Power Cord Length ft	Dimensions W x D x H - in. (mm)	
WMC-2500	5-15P	14	10	17.25 x 24 x 20 (438 x 610 x 508)	
Model No.	Weight (Net / Gross) Lbs(kg)	No. of Cool Air Outlets Pcs	Condensate tank Gallons(Liters)	Ambient temperature range °F(°C)	
WMC-2500	121 / 128 (54 / 58)	1	Auto Pump Included	64~113 (18~45)	
Model No.	Setting temperature (Room cool mode) °F(°C)		Setting temperature (Spot cool mode) °F(°C)		
WMC-2500	64~86 (18~30)		32~86 (0~30)		
Model No.	Application Area (Room cool mode) ft ² (m ²)		Refrigerant Type / oz(g)	Design Pressure - Hi/ Low Psig	
WMC-2500	258 (24)		16 (440)	465 / 250	
Model No.	Indoor Air Flow (High/Low)CFM(CMM)	Wheels pcs / diameter	Hot Air Duct Diameter In.(mm)	Maximum Duct Length ft(m)	
WMC-2500	320 / 220 (9.1 / 6.2)	4 / 76.2mm	6 (150)	10 (3)	
Safety Devices		Compressor overload protector, Anti-freezing thermister, Automatic restart (Power interruption), Compressor time delay program, High pressure switch			
Features		Temperature control, Self-diagnostic function, Two speed fan, Washable filters, °F(°C) display, Off-timer, Drain pump is included, Humiaity control.			

General Safety Information

Please read this manual carefully for instructions on correct installation and usage. Please read all safeguards,

1. Transport and store the unit in and upright position only. Leave unit in an upright position for at least 3 hours before first use.
2. Always place the unit on an even, level surface.
3. Ensure the unit is connected to a grounded power supply of the correct rating / capacity.
4. The unit will cool when the room temperature is between 18°C (64.4°F) ~ 45°C (113°F) depending on the thermostat setting.
5. DO NOT use this unit for functions other than those described in this instruction manual.
6. DO NOT tilt the unit.

7. DO NOT cover or obstruct the unit's inlet and outlet grilles.
8. DO NOT use the unit in areas where it will be exposed to rain or water.
9. NEVER unplug the while it is operating.

▲ WARNING *DO NOT use the unit in wet environments, such as a laundry room, to avoid the risk of electrical shock.*

10. DO NOT place any foreign objects on the unit.
11. DO NOT operate the unit with wet or damp hands.
12. DO NOT allow chemical substances to come into contact with the unit.
13. DO NOT operate the unit in the presence of flammable substances or vapors such as alcohols, pesticides, gasoline, etc.

▲ WARNING *DO NOT operated the unit in explosive or flammable environments.*

14. DO NOT use the plug to start and to stop the unit. Always use the control panel to start and to stop the unit.
15. Always turn off the unit when it is not in use and unplug the power plug from the electrical outlet.
16. Always turn the unit off and unplug the main power plug from the electrical outlet before cleaning, moving or performing maintenance,
17. AVOID the use of adapter plugs or extension cords. If it is necessary to use an extension cord or an adapter plug to operate the unit, ensure that they are correctly rated for the application. Consult a local qualified electrician and all local electrical codes to ensure proper setup. Any extension cord used with this device must be rated for a minimum of 15A.
18. DO NOT unplug the unit by pulling on the electrical cord. Keep electrical cord away from heat sources and always completely unroll the cord to avoid overheating. If the power cord becomes damaged, a qualified service agent, qualified electrician, or similarly qualified person must replace it, in order to avoid a hazard or shock.

▲ WARNING *DO NOT operate a unit with a damaged power cord.*

19. The filters must be used with the product at all times. When the filters are removed for cleaning, always ensure that the unit has been turned off and unplugged from the electrical outlet.
20. Regularly clean the filters to maintain efficiency. If the filters are not cleaned regularly, the unit output performance and efficiency will decline and energy consumption will increase.
21. DO NOT operate the unit with a damaged power cord or plug, after it malfunctions, has been dropped or damaged.
22. Only use in the upright position on an even, flat surface. Unit must be positioned at least 24 inches (60cm) from the nearest object in any direction.
23. Stop operation immediately if abnormal noise or odor is noticed. Contact a local service center.
24. Appliance is not used by children or persons with reduced physical, sensory or mental capabilities, or lack of experience and knowledge, unless they have been given supervision or instruction.
25. Children being supervised not to play with appliance.
26. That the appliance shall be installed in accordance with national wiring regulations.
27. If the supply cord is damaged, it must be replaced by the manufacturer, its service agent or similarly qualified persons in order to avoid a hazard.

SAVE THESE INSTRUCTIONS.

Applications

With various accessories, Modular multi air conditioner provides best application to suit customer's individual needs.

PORTABLE

- This unit has ability to move easily from room to room using portable kit. It is available spot cooling for large areas where cooling of the entire area is not practical. This air conditioner can also be used in smaller areas for room cooling.
Portable kit includes casters, cool air duct assy and handle.

SERVER RACK

- It can be rack-mounted inside 19" computer server rack for cooling small computer and server rooms. This unit occupies just 12U of valuable rack space.
Server Rack kit includes server rack assy (shelf), universal adjust (mount feet) and rack diffuser.

MOUNTED, HANG

- It can be used to mounted type where your needs and hung type using ceiling mounted kit.
Hanging kit includes a eva intake air flange, a condenser filter/ intake air flange and hanging kit (support).
All hanging installations must be completed by a qualified electrical technician to permanently connect the unit to a fixed location (hardwired).

STACK

- This unit can be stacked on top of each other to produce a capacity of 20,000BTU or 30,000 BTU in same area. It allows you to stack WMC-2500 up to 3 high. You can enjoy space efficiency and bigger cooling capacity.
Stack kit includes universal adjust (mount feet) and stacking bracket.

ASSEMBLY (Standard)
COMPONENT PARTS

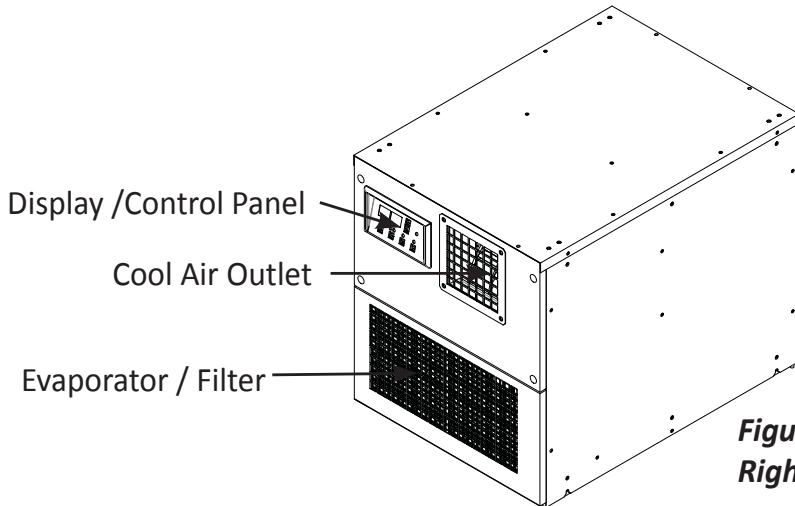


Figure 2 - front and Right Side View

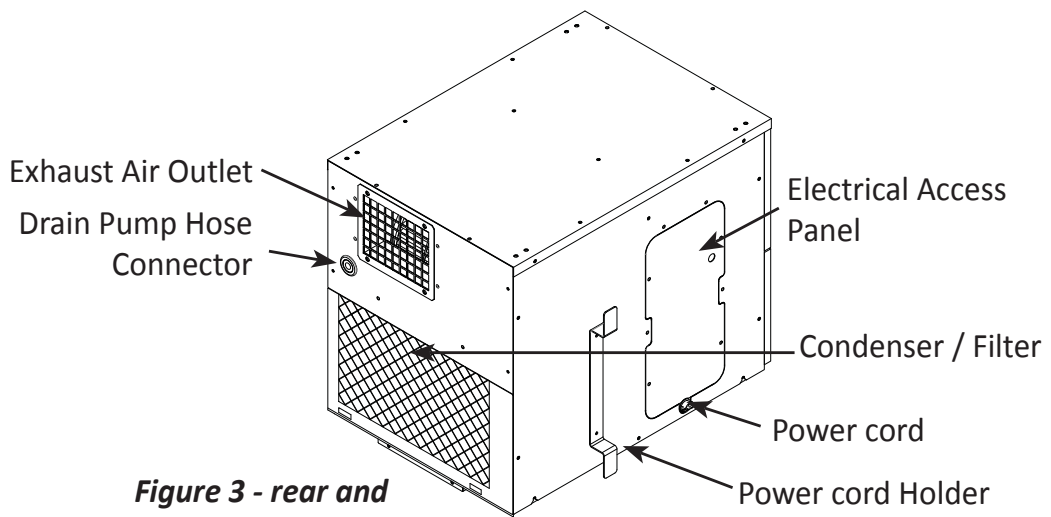


Figure 3 - rear and Left Side View

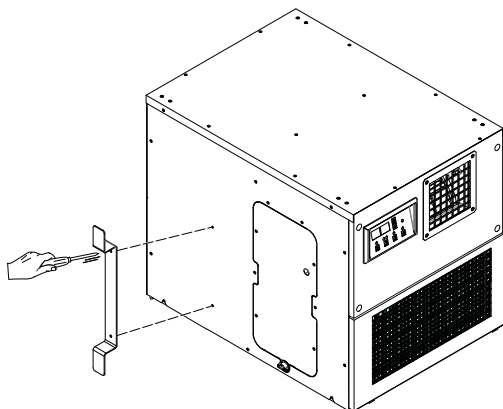


Figure 4 - power cord holder attachment

POWER CORD HOLDER

1. Take out the cord holder from the accessory box.
2. Place the cord holder on the left side of unit.
3. Use screws (enclosed inside of accessory box with cord holder) to install the cord holder in the unit as shown in Figure 4.

ASSEMBLY (Portable) COMPONENT PARTS

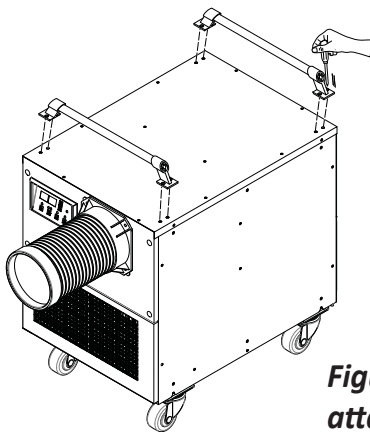
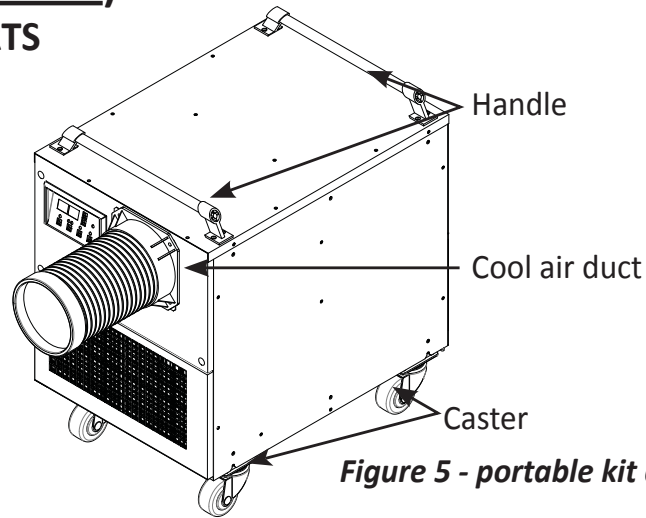


Figure 6 - handle attachment

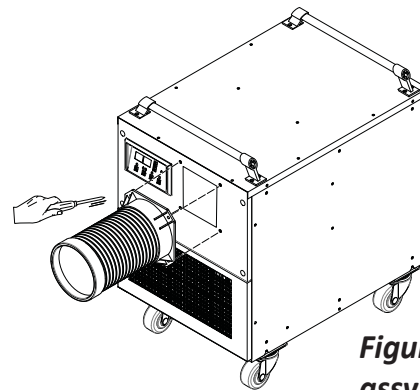


Figure 7 - cool air duct assembly attachment

HANDLE

1. Take out the handle 2 pcs from the accessory box.
2. Place the handle on the top of unit.
3. Use screws (enclosed inside of accessory box with handle) to install the cord holder on the unit as shown in Figure 6.

COOL AIR DUCT ASSEMBLY

1. Remove cool air duct assembly 1 pcs from carton.
2. Replace air cover with air duct assembly on the top front of unit.
3. Use screws (enclosed inside of box with cool air duct assembly) on the unit as shown in Figure 7.

CASTER

1. Take out the caster 4 pcs from the accessory box.
2. Place the casters on the base panel of unit.
3. Use screws (enclosed inside of accessory box with caster) to install in the unit as shown in Figure 8.

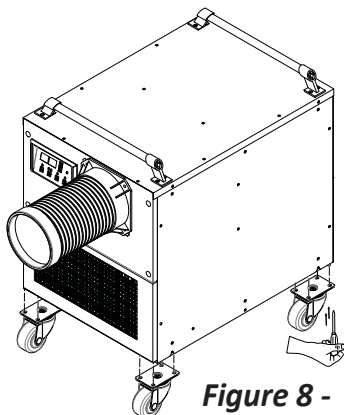


Figure 8 - caster attachment

▲ WARNING *DO NOT tilt the unit on it's side.*

The unit is upright position only. Leave unit in an upright position for at least 3 hours before first use.

ASSEMBLY (Server Rack) COMPONENT PARTS

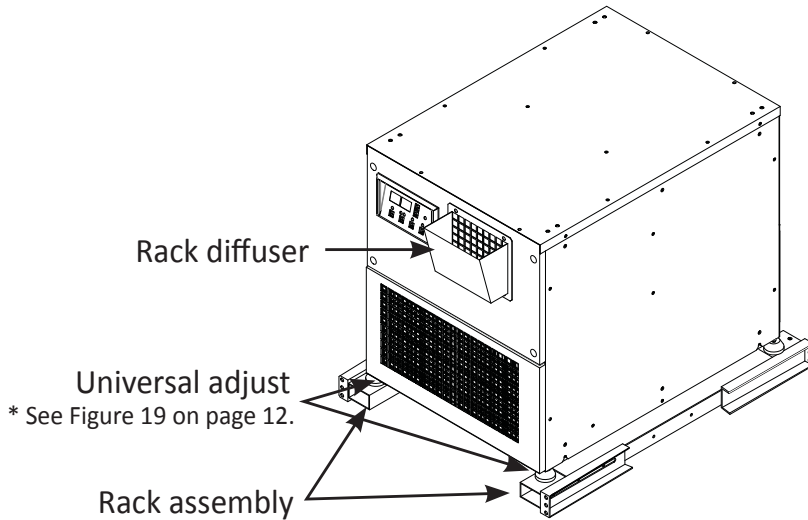


Figure 9 - server rack kit attachment

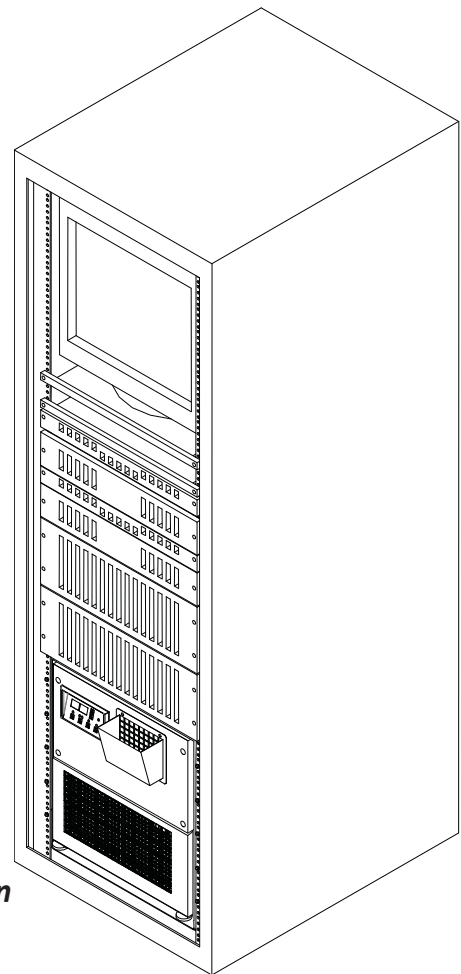


Figure 10 - installation in 19" server rack

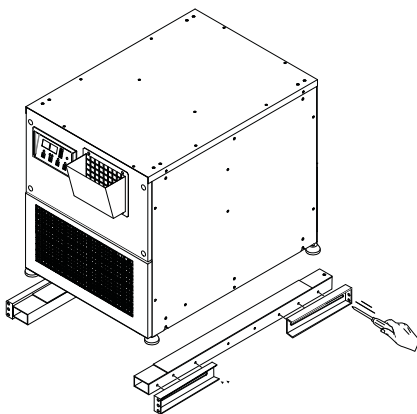


Figure 11- rack assembly attachment

RACK ASSEMBLY

1. Assemble the rack assembly parts 1set (6ea) to fit in server rack.
2. Use screws to install the rack assembly in server rack as shown in Figure 11.
3. Place the unit on the rack assembly.

RACK DIFFUSER

1. Remove rack diffuser 1 pcs from carton.
2. Replace air cover with rack diffuser on the top front of unit.
3. Use screws (enclosed inside of box with rack diffuser) on the unit as shown in Figure 12.

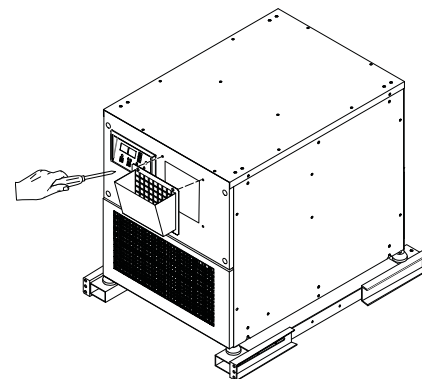


Figure 12 - rack diffuser attachment

ASSEMBLY (Mounted, Hang) COMPONENT PARTS

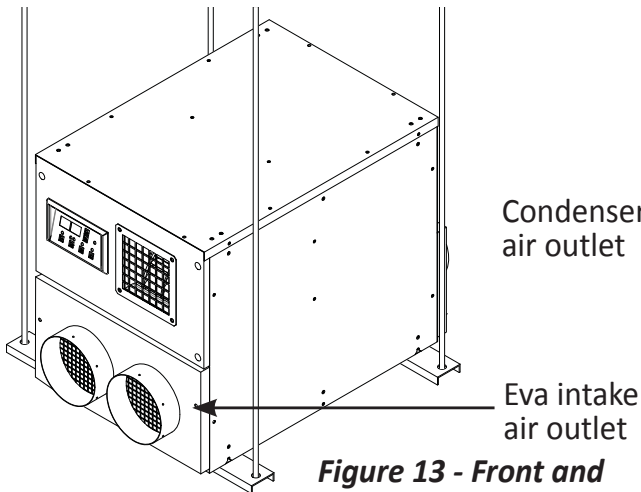


Figure 13 - Front and Right Side View

Condenser intake air outlet

Eva intake air outlet

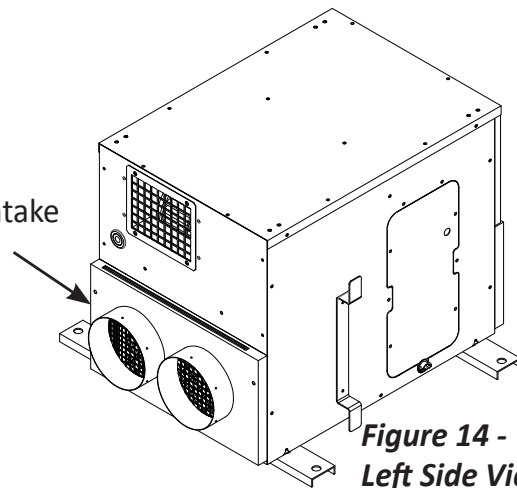


Figure 14 - Rear and Left Side View

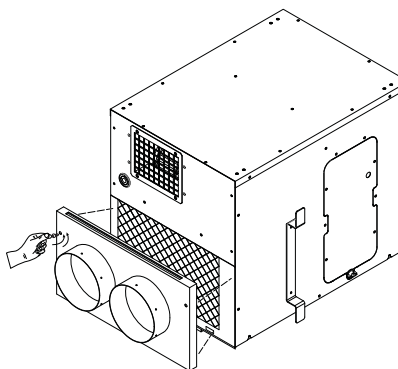


Figure 15 - condenser flange attachment

CONDENSER INTAKE AIR DUCT FLANGE

1. Remove condenser intake air duct flange (included filter) 1 pcs from carton.
2. Take out condenser filter of unit and U Panel of rear bottom.
3. Place the condenser flange on the rear of air conditioner.
4. Use screw (enclosed inside of box with condenser flange) to install the flange as shown in Figure 15.

EVA INTAKE AIR DUCT FLANGE

1. Remove Eva intake air duct flange 1 pcs from carton.
2. Slide up filter on the front of the unit and take out front grill.
3. Put the filter in the eva flange and place the air duct on the front of air conditioner.
4. Use screw (enclosed inside of box with air duct flange) to install the flange as shown in Figure 16.

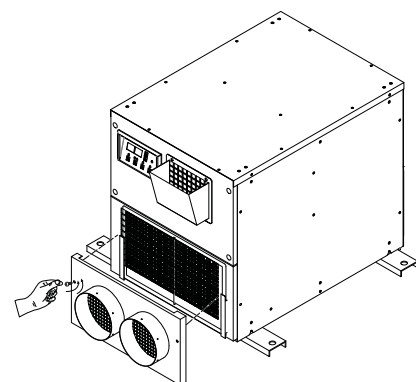


Figure 16 - eva flange attachment

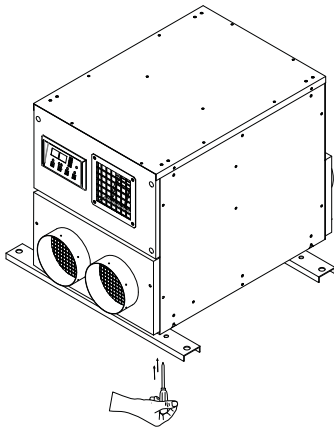


Figure 17 - hanging assembly attachment

HANGING ASSEMBLY

1. Install 1/2" threaded rod and vibration insulator to ceiling.
2. Remove Hanging assembly 1 set (2ea) from carton.
3. Place the hanging assy horizontally on the base of air conditioner.
4. Use screw (enclosed inside of box with hanging kit) to install as shown in Figure 17.
5. Lift and mounted the unit.

▲ WARNING

Removing the power supply cord and permanently connection the unit should be performed only by a qualified electrician.

WMC-2500 is heavy.(121lbs) A minimum of 2 people are required to lift the unit.

When hanging and permanently connecting the unit all applicable local/state/federal building codes must be followed.

The structural beam being used must be properly support the weight of WMC-2500.

ASSEMBLY (Stack) COMPONENT PARTS

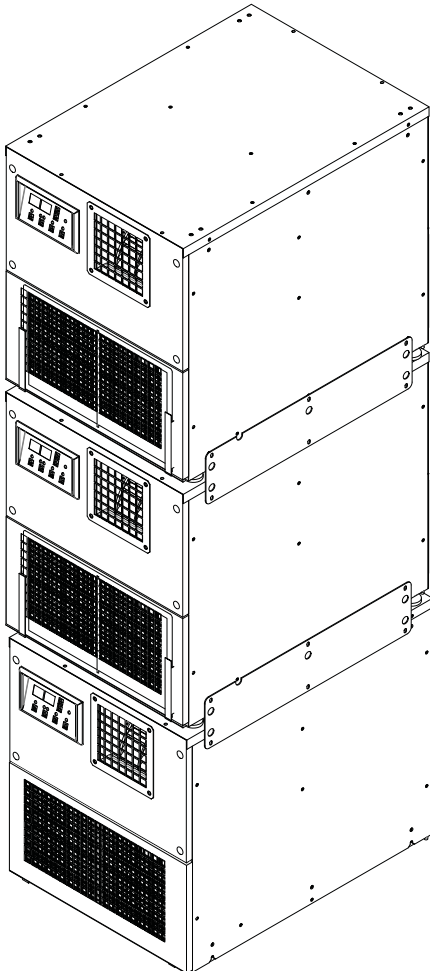


Figure 18 - 3 unit stacked application.

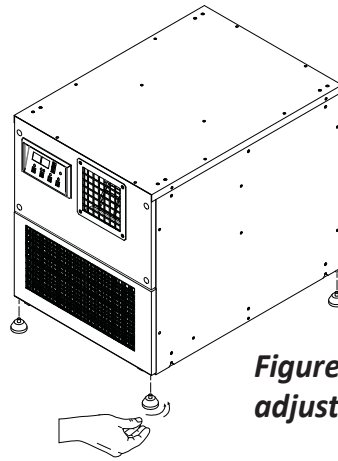


Figure 19 - universal adjust attachment

UNIVERSAL ADJUST

1. Take out the universal adjust 4 pcs from the accessory box.
2. Place the universal adjust on the base panel of unit.
3. Install on the unit as shown in Figure 19.

▲ WARNING *DO NOT tilt the unit on it's side.*

The unit is upright position only. Leave unit in an upright position for at least 3 hours before first use.

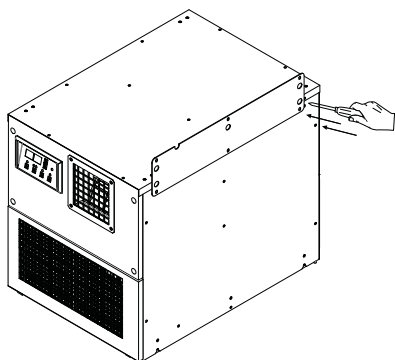


Figure 20 - braket attachment

STACKING BRACKET

1. Take out the stacking bracket 1 pcs from the accessory box.
2. Place the stacking bracket on the right side panel of unit.
3. Use screw (enclosed inside of box with bracket) to install as shown in Figure 20.
4. Stack the Unit.
5. Use screw (enclosed inside of box with bracket) to install as shown in Figure 20.

Installation Guide

WARNING REGARDING PROPER LOCATION FOR INSTALLATION

▲ WARNING *Do not use the unit in explosive environments or in areas where flammable gas leakage may occur.*

▲ WARNING *Do not use the unit in a corrosive atmosphere.*

▲ WARNING *Do not use the unit above 18°C(64.4°F)~45°C(113°F)*

▲ WARNING *Do not install the unit on uneven or sloping surface. The unit may roll or topple over even if the casters are set to the locked position.*

MOVING THE UNIT

Please lift and carry more than 2 people. If casters are set to the unit, unlock the casters and push the unit to a flat, level surface and set the caster brakes to the locked position.

PLUGGING THE UNIT

Check the prongs and surface of the power cord plug for dust/dirt. If dust and/or dirt are present, wipe off with a clean, dry cloth.

Check the power cord, plug and prongs for damage or excess play.

If any damage or excess play is found, contact a qualified repair technician or a qualified electrician to perform replacement or repair of the power cord, plug or prongs.

▲ WARNING *If the power cord or plug is damaged, repair should only be performed by qualified electrical personnel.*

▲ WARNING *Do not connect/ disconnect the power cord or attempt to operate buttons with wet hands. This could result in electrical shock.*

NOTE : Make sure the AC outlet is free of dirt, oil, water or any other foreign material.

Operation

CONTROL PANEL

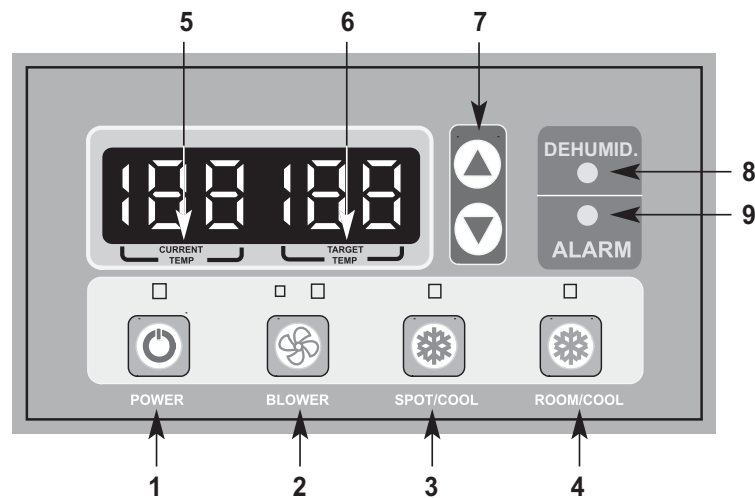


Figure 21 - Display/Control Panel

1. POWER BUTTON

Activates unit when POWER BUTTON is pressed. (Fan stats on low speed.)
If power button is pressed during operation, unit stops.

2. BLOWER BUTTON

Changes fan speed [LOW]-[HIGH]-[AUTO] when pressed.

[LOW]-Small LED blinking

[HIGH]-Large LED blinking

[AUTO]-Both Small and Large LED blinking

* **AUTO** : AUTO mode will change the fan speed automatically by difference of current temp. and target temp.

When the current temp. is 7°C/7°F above the target temp, the unit will operate in HIGH Speed.

When the current temp. is 7°C/7°F under the target temp, the unit will operate in LOW Speed.

Changing time delay is 25 seconds.

(Time delay is applied to spot cool mode and room cool mode.)

3. SPOT/COOL BUTTON

Activates compressor and begins producing cool air 5 seconds after button is pressed.
Regulates temperature based on outlet cool air temperature.

4. ROOM/COOL BUTTON

Activates compressor and begins producing cool air 5 seconds after button is pressed.
Regulates temperature based on inlet ambient air temperature.

5. CURRENT TEMP

Displays current room temperature is display in Fahrenheit. (In Room Cool Mode only)

SPOT/COOL Mode – Displays outlet (cool air) temperature during normal operations.

In order to change °F to °C, press UP/DOWN button together for 1 second, and select tC mode by press ROOM/COOL button.

“0” means °C, 1 means °F.

After 5 seconds or press SPOT/BUTTON, the figure will be memorized.

6. TARGET TEMP

Displays the unit set temperature for ROOM/COOL mode only.

7. SET TEMP BUTTONS

Change target temperature/data value by +/-1. Change data value by +/- 10 by pressing continually.

Press the SET TEMP BUTTONS to set temperature.

Upper button is to higher temperature and Low button is to lower temperature.

8. DEHUMIDIFICATION MODE.

Enter to Dehumidification Mode if you press SPOT/COOL button and ROOM/COOL button together for 1 second.

In Dehumidification mode, it will blink DEHUMID. Indicator LED,

If you want to use air conditioner, press SPOT/COOL button and ROOM/COOL button together for 1 second again.

9. ALARM

Alarm indicator lights (blinks) and indicates abnormal system operation. If Alarm occurs, compressor stops. System operation stops when ALARM light is activated (blinks) longer than 3 minutes.

***DATA INITIALIZATION**

It will be initialization when you pressed "BLOWER+SPOT+ROOM" together more than 5 seconds. If you pressed button together, you can see "in it" and blinking 2 seconds.

Then reset your target temperature.

***OFF-TIMER**

The TIMER control turns off within a 12-hour period.

Enter to Timer Setting Mode if you press BLOWER button and SPOT/COOL button together for 1 second.

Press UP/DOWN button to set the timer until it shows the figure you want to set. (Setting is available per 30 minutes)

After 5 seconds or press SPOT/BUTTON, the figure will be memorized and compressor will stop after the time set.

OFF Timer is hold until time up even though the unit restarts by power failure etc.

***AUTO RESTART**

If the unit goes off due to an electrical interruption, the unit will automatically restart when the power resumes.

Maintenance

FILTER CLEANING (Without flange)

There are 2 filters in the unit. The evaporator filter is located at the front of the unit. The condenser filter is located at the rear of the unit.

1. Open the front grill.
2. Slide filter up and use vacuum cleaner to remove the dust from the filter.
3. If the filter is heavily covered with dust and dirt, warm water and mild soap or neutral detergent may be used to wash the filter. Do not use any other chemicals to clean filter, as they will likely damage the filter.
4. Dry the filter in a shaded area before replacing it. Do not operate the unit without the filter installed and the filter grill in the closed position.
5. Replace the clean filter and close the filter grill.
6. To clean the condenser filter, lift up on the rear filter from the middle bar slightly and then angle the filter outwards from the bottom and remove.
7. Use the same cleaning procedure as above (3~5)
8. To replace the condenser filter, place the top of the filter in the guide and slide the filter up until the bottom of the filter clears the frame. Then push the bottom of filter into the guide and let filter into guide and let filter fall inside the guide.

NOTE : For effective cooling clean the filter at least every 2 weeks.

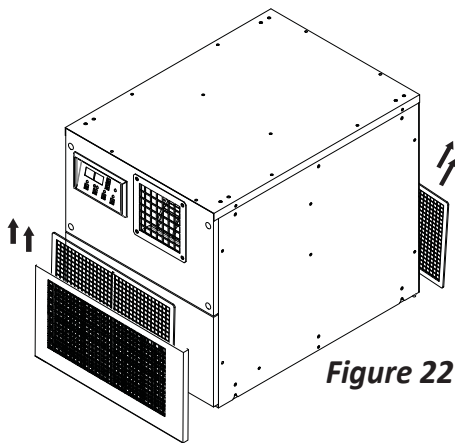


Figure 22 – Removing Filters

- Pull the filter frame forward to remove the front filter.
- Slide filter up and use a vacuum cleaner to remove the dust from the filter.
- Lift up on the rear filter from the middle bar slightly and then angle the filter outwards from the bottom and remove.

- Remove dust from the filter using a vacuum cleaner hose attachment.
- If required wash the filter in lukewarm water with a mild detergent. Leave to dry in a shaded area before reinstalling.

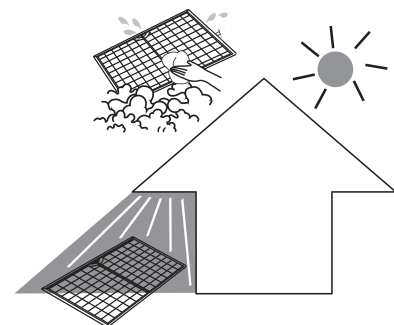


Figure 23 – Removal of dust

FILTER CLEANING (With flange)

1. Loosen up 2 bolts on flange.
2. Slide filter up and use vacuum cleaner to remove the dust from the filter.
3. If the filter is heavily covered with dust and dirt, warm water and mild soap or neutral detergent may be used to wash the filter. Do not use any other chemicals to clean filter, as they will likely damage the filter.
4. Dry the filter in a shaded area before replacing it. Do not operate the unit without the filter installed and the filter grill in the closed position.
5. Replace the clean filter and re-assembly flange on the unit..

NOTE : For effective cooling clean the filter at least every 2 weeks.

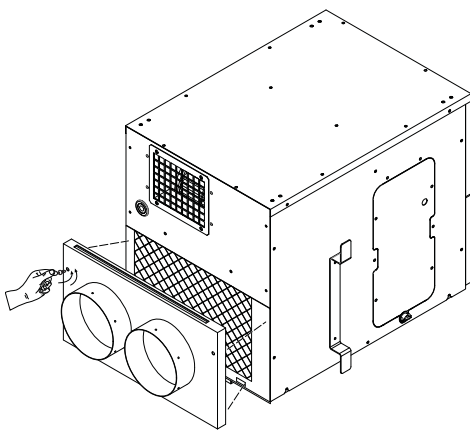


Figure 24 - Removing condenser Filters

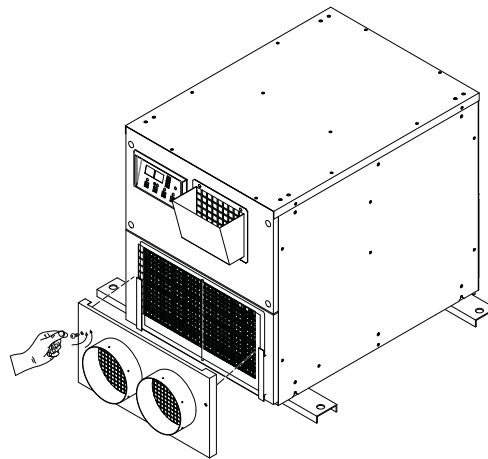


Figure 25 - Removing evaporator Filters

▲ WARNING Do not operate with out the filter fitted.

▲ WARNING Do not operate the unit with a damaged cord or plug, after the unit malfunctions or if the unit has been dropped or damaged.

- For your convenience, record the complete model number and product name (located on the Product Identification Plate), the purchase date, purchase location, serial number, and warranty period in the table below.
- Also, attach your purchase receipt as proof of purchase to this instruction manual for future reference.
- To ensure your product is covered by warranty, the complete faulty product along with you original purchase receipt must be provided at the place of purchase.

Product	Portable Air Conditioner
Model No.	_____
Date of Purchase	_____
Place of Purchase	_____
Serial No.	_____
Period of Warranty	_____

Customer: Please read and keep this manual for future reference and keep sales receipt as proof of purchase.

SELF-DIAGNOSTIC CODES *(See Table 1)*

The alarm light is activated if abnormal operation occurs, and a code is displayed on the control panel. The compressor and condenser fan motor will stop operating. The evaporator fan will continue to run for 3 minutes. If the fault is rectified within 3 minutes, the unit will resume operation. If the fault persists for more than 3 minutes, the evaporator fan also stops. The fault must be rectified before the unit can resume normal operation.








SELF-DIAGNOSTIC ALARM CODES			
Alarm Display	Problem	Cause	Corrective Action
	Frost prevention sensor and Abnormal temperature sensor value	<ul style="list-style-type: none"> Indoor heat exchanger temperature too low TH3 temperature sensor has a loose or broken connection 	<ul style="list-style-type: none"> Do not use the air conditioner if ambient temperature is lower than 18°C (64°F) Contact a qualified service agent
	Refrigerant high pressure switch	<ul style="list-style-type: none"> Blocked air filter Blocked / kinked exhaust duct Ambient temperature is too high 	<ul style="list-style-type: none"> Clean air filter Ensure exhaust duct is not blocked / kinked Do not use the air conditioner if ambient temperature is higher than 45°C (113°F)
	Abnormal temperature sensor value	TH1(Outlet) temperature sensor has a loose or broken connection	Contact a qualified service agent
	Abnormal temperature sensor value	TH2(Inlet) temperature sensor has a loose or broken connection	Contact a qualified service agent
	Compressor overloaded	<ul style="list-style-type: none"> Ambient temperature is too high Unstable voltage supply Defective compressor Over current relay defect or broken connection 	<ul style="list-style-type: none"> Do not use the air conditioner if ambient temperature is higher than 45°C (113°F) Contact a qualified service agent Replace compressor
	Drain pump alarm	Drain pump defective or improper hose connection (including kink or blockage)	<ul style="list-style-type: none"> Contact a qualified service agent Check the hose connection and hose Replace drain pump
	Abnormal dehumidification sensor value	TH4(Dehumidification) sensor has a loose or broken connection	Contact a qualified service agent

Table 1- Alarm Codes

Wiring Diagram

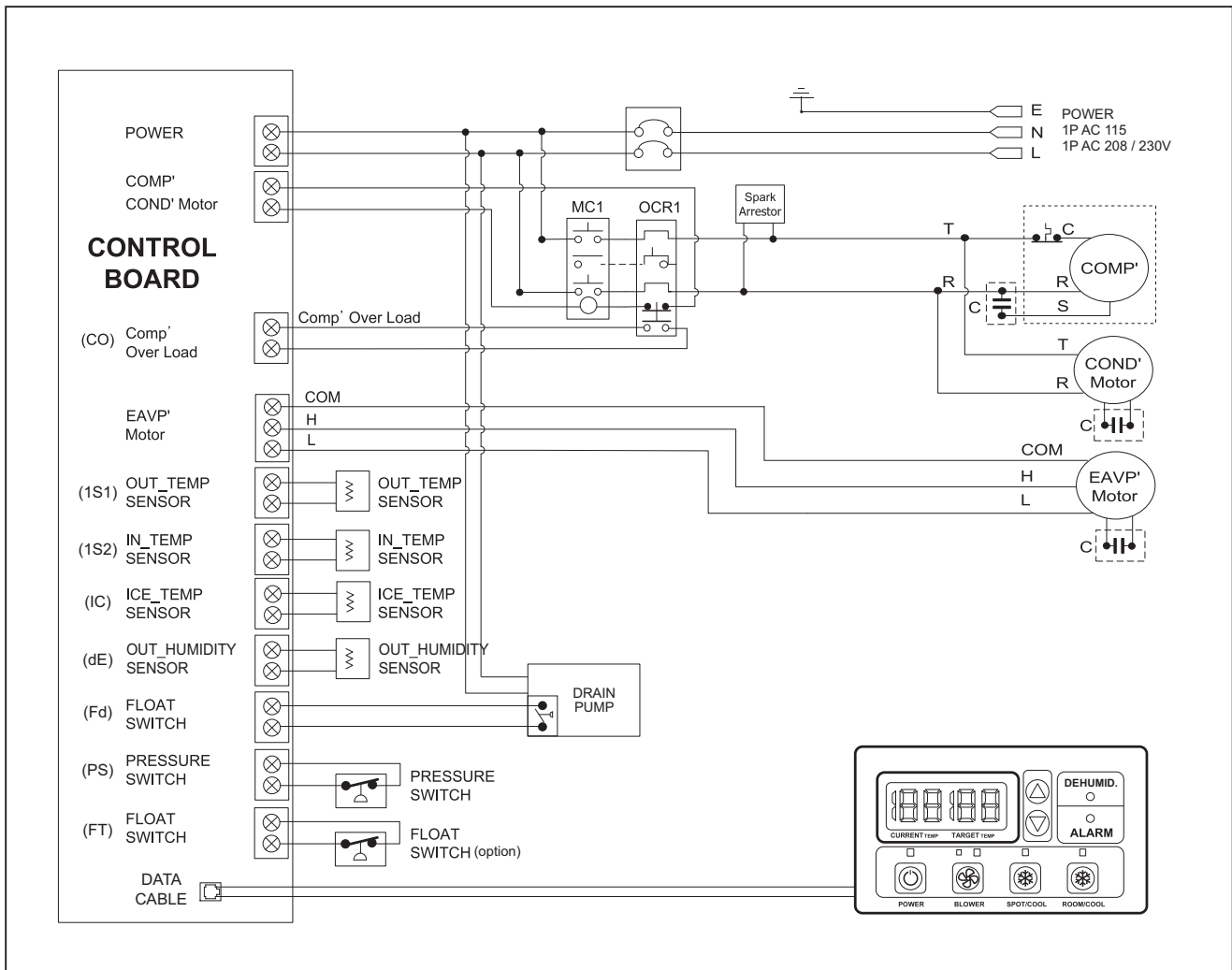


Figure 26 - Circuit Wiring Diagram

Troubleshooting chart

Symptom	Possible Cause(s)	Corrective Action
The unit doesn't work	<ol style="list-style-type: none"> 1. Check the power supply to verify that power is available to the unit 2. Verify that the power cord is connected 	<ol style="list-style-type: none"> 1. Reset the circuit breaker and restart the unit 2. Connect power cord
No cold air flows from the cold air outlet	<ol style="list-style-type: none"> 1. Ambient air cannot be properly cooled if the filter is dirty and not regularly cleaned 2. Compressor will not work if the unit is turned off and on quickly. 3. The ambient air temperature may be too high 	<ol style="list-style-type: none"> 1. Clean the filter 2. Wait 2 minutes after unit is turned off before turning the unit back on. 3. The temperature of the compressor can be higher when the ambient temperature is too high. The compressor will not work unless the ambient air temperature is within the acceptable operating range of the unit
Water flow can be heard after compressor shuts off	No cause	Common to hear coolant flowing after unit shuts off

OBTAINING SERVICE

If the **AmeriCool by Weltem Modular Air Conditioner** requires Service:

1. Use the TROUBLESHOOTING section in this manual to eliminate obvious causes.
2. Verify there are no circuit breakers tripped.
3. Call your dealer for assistance. If you cannot reach your dealer, or if they cannot resolve the problem, call **AmeriCool by Weltem Modular Air Conditioner** Technical Support at 562.231.7175. Please have the following information available BEFORE calling the Technical Support Department:
 - a. Your name and address.
 - b. The serial number of the unit.
 - c. Where and when the unit was purchased.
 - d. All of the model information about your **AmeriCool by Weltem Modular Air Conditioner**.
 - e. Any information on the failure, including LED's that may or may not be illuminated.
 - f. A description of the protected equipment, including model numbers if possible.

LIMITED WARRANTY

AmeriCool warrants all AmeriCool products to be free from defects in materials or workmanship, under normal use and service, for a period of 12 months from the date of purchase to the end user (original invoice must be provided). AmeriCool warrants that the compressor will be free from defects in materials and workmanship for 12 months from the date of purchase to the end user.

AmeriCool's obligation under this warranty is limited to the repair or replacement at its option, of any part or parts, which, upon AmeriCool's examination are shown to be defective, or at AmeriCool's option, the return of the purchase price to the purchaser.

Correction of such defects by repair or replacement, or at AmeriCool's option, the return of the purchase price shall constitute fulfillment of warranty obligations to the purchaser. This warranty does not cover defects or malfunctions which result from causes beyond AmeriCool's control, including, without limitation, (i) unusual physical or electrical stress; (ii) accident, neglect, abuse, misuse or other abnormal use; (iii) failure to perform routine maintenance in accordance with AmeriCool's recommended procedures; (iv) normal wear and tear; (v) repairs or attempted repairs by an unauthorized person; (vi) modifications or alterations to the Products; (vii) use with parts or devices not supplied or approved by AmeriCool (viii) improper installation or service; (ix) shipping damage to any units or spare parts during shipping. This includes and is not limited to compressors, evaporators and condenser coils. This warranty shall extend only to the original end-user and shall be void if any labels or other identifying marks permanently affixed to Products when shipped by AmeriCool are removed, altered, defaced or obliterated.

TO THE EXTENT PERMITTED BY LAW, THIS WARRANTY, AS LIMITED HEREIN, SHALL BE IN LIEU OF AND EXCLUSIVE OF ALL OTHER WARRANTIES, EITHER EXPRESSED OR IMPLIED, ON THE PART OF AMERICOOOL INC., OR WELTEM CO., LTD. WHETHER ARISING FROM LAW, COURSE OF DEALING, USAGE OF TRADE, OR OTHERWISE, INCLUDING WITHOUT LIMITATION ANY IMPLIED WARRANTY OF MERCHANTABILITY OR FITNESS OF A PARTICULAR PURPOSE OR ANY LIABILITY FOR COMMERCIAL LOSSES BASED UPON NEGLIGENCE OR MANUFACTURER'S STRICT LIABILITY. EXCEPT AS EXPRESSLY PROVIDED HEREIN, NEITHER AMERICOOOL, INC., NOR WELTEM CO., LTD. WILL, IN ANY EVENT, BE LIABLE FOR LOST PROFITS, COSTS OF PROCESSING, INJURY, GOODWILL, OR ANY OTHER CONSEQUENTIAL DAMAGES OF ANY KIND ARISING FROM BREACH OF THIS WARRANTY.

**Manufactured in Weltem Co., Ltd.,
154, Jayumyeok 3-gil, Masanhoewon-gu, Changwon-City, Gyeongsangnam-do,
Republic of KOREA 51340 www.weltem.com**

**Distributed by Americool, Inc. In the USA (Tel.888-726-6158)
WWW.AMERICOOOLLLC.COM**