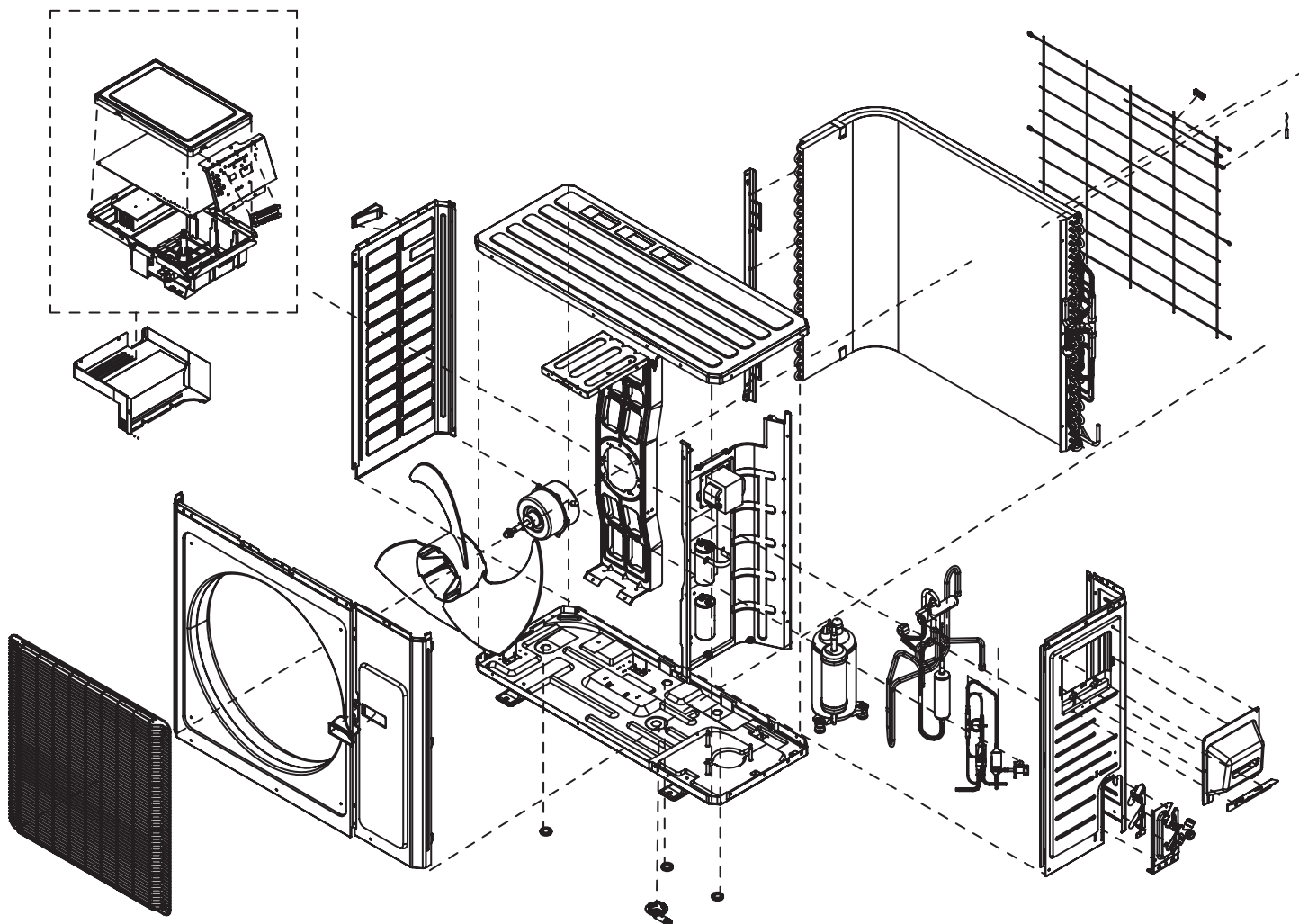


Ductfree Mini-Split Air Heat Pump  
9,000 - 24,000 Btuh



# TERRA

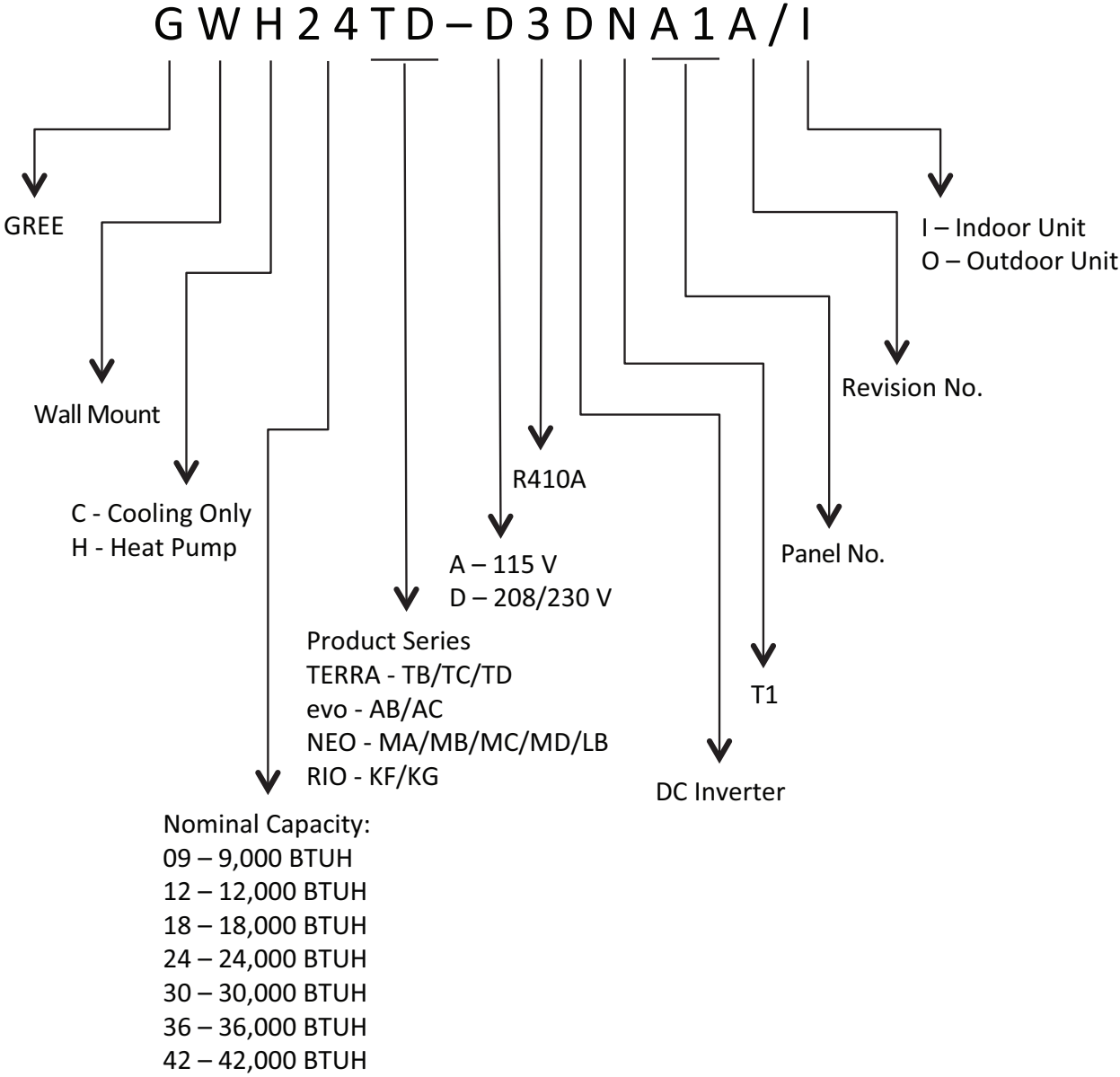
## Replacement Parts Catalog



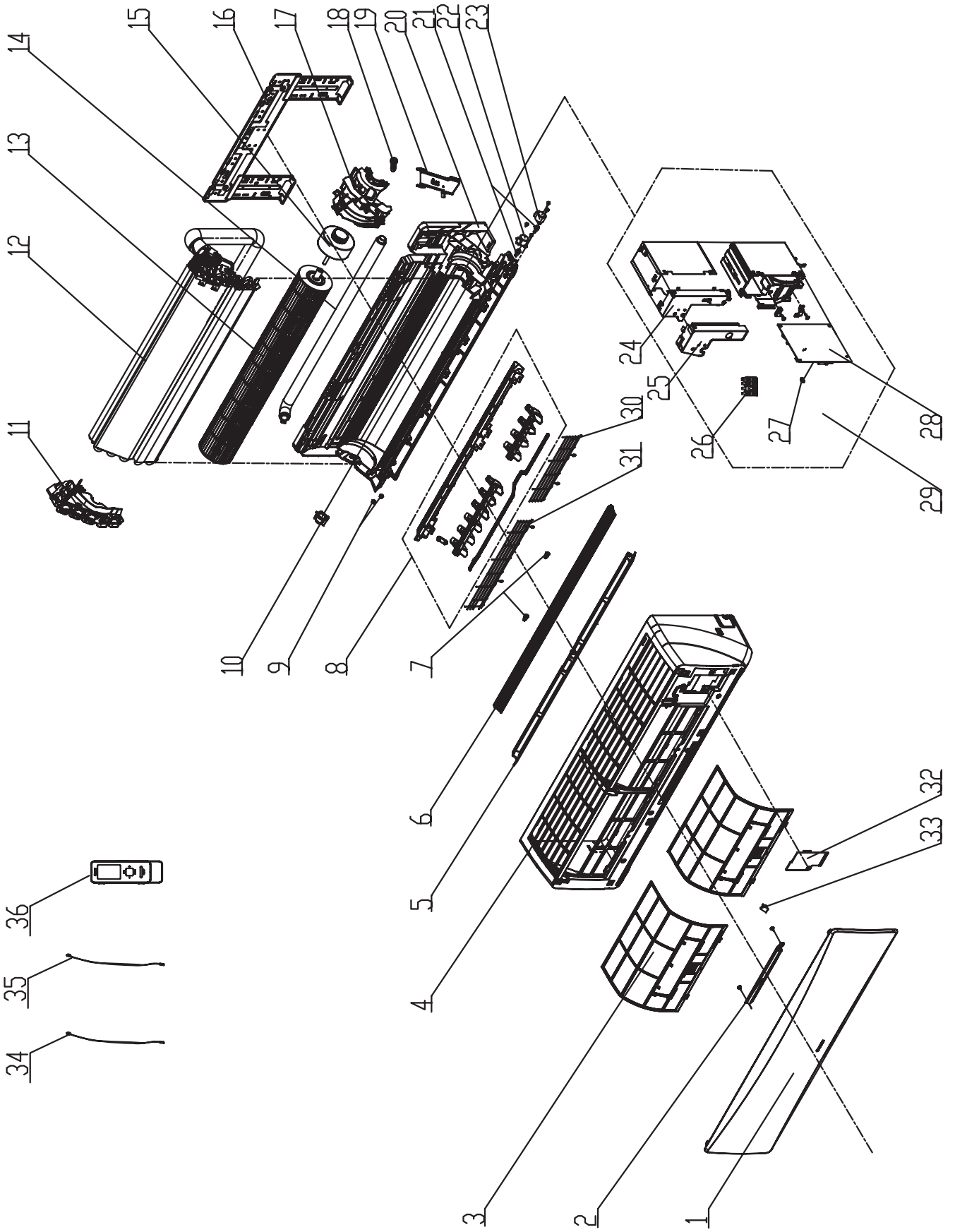
# Table of Contents

<b>Model Number</b>	<b>Description</b>	<b>Page</b>
GWH09TB-D3DNA1A-I	Heat Pump 9,000 Btuh 208/230v Indoor Unit . . . . .	2-3
GWH09TB-D3DNA1A-O	Heat Pump 9,000 Btuh 208/230v Outdoor Unit. . . . .	4-5
GWH12TB-D3DNA1A-I	Heat Pump 12,000 Btuh 208/230v Indoor Unit . . . . .	6-7
GWH12TB-D3DNA1A-O	Heat Pump 12,000 Btuh 208/230v Outdoor Unit. . . . .	8-9
GWH18TC-D3DNA1A-I	Heat Pump 18,000 Btuh 208/230v Indoor Unit . . . . .	10-11
GWH18TC-D3DNA1A-O	Heat Pump 18,000 Btuh 208/230v Outdoor Unit. . . . .	12-13
GWH24TD-D3DNA1A-I	Heat Pump 24,000 Btuh 208/230v Indoor Unit . . . . .	14-15
GWH24TD-D3DNA1A-O	Heat Pump 24,000 Btuh 208/230v Outdoor Unit. . . . .	16-17

# Product Catalog Number-Nomenclature



**GWH09TB-D3DNA1A/I**  
**9,000 Btuh 208/230v Indoor Unit**

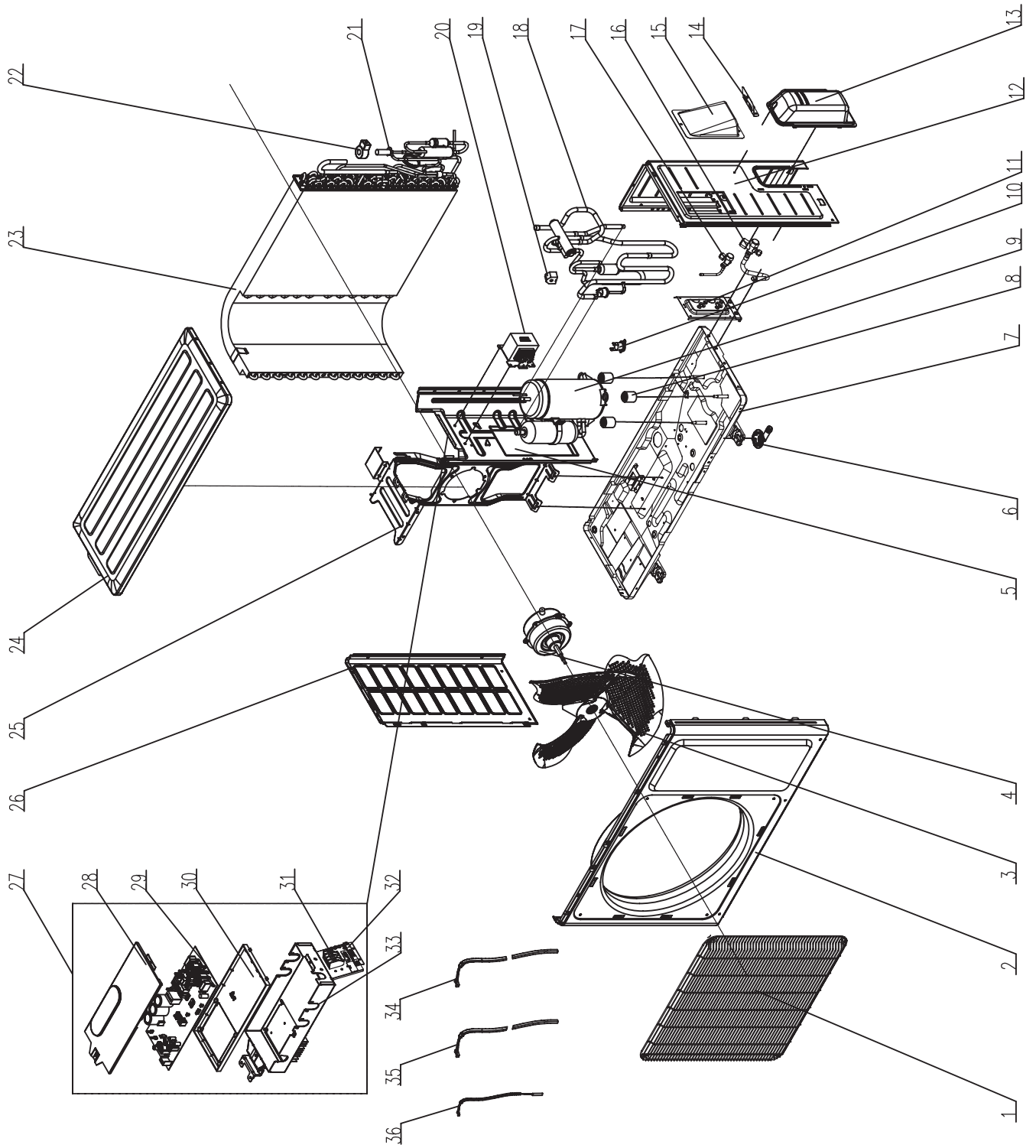


**GWH09TB-D3DNA1A/I**  
**9,000 Btuh 208/230v Indoor Unit**  
 Product Code: CB148N02200

NO.	Part Code	Part Description	Qty
1	20012850K	Front Panel	1
2	30565140	Display Board	1
3	1112211602	Filter Sub-Assy	2
4	2001288902	Front Case Sub-assy	1
5	10512267	Guide Louver	1
6	10512127	Guide Louver (small)	1
7	10582070	Crank	1
8	2611224404	Helicoid Tongue Sub-Assy	1
9	10512037	Left Axial Bushing	2
10	1054202101	Propeller Axial Bushing	1
11	24212114	Evaporator Coil Support	1
12	1002364	Evaporator Coil Assy	1
13	10352033	Cross Flow Fan	1
14	5230014	Drainage Pipe	1
15	15013314	Fan Motor	1
16	1252484	Wall Mounting Frame	1
17	26112209	Motor Press Plate	1
18	76712012	Drainage Tray Plug	1
19	2611216402	Pipe Clamp	1

NO.	Part Code	Part Description	Qty
20	2220216103	Rear Case Assy	1
21	10542036	Axial Bushing	2
22	15212126	Stepper Motor	1
23	15212125	Stepper Motor	1
24	1592084	Shield cover of Electric Box Aub-Assy	1
25	2012240903	Electric Control Box Cover	1
26	42011233	Terminal Board	1
27	4202300107	Configuration Jumping Connector	1
28	30148296	Main Control Board	1
29	20302492	Electric Control Box Assy	1
30	1472030	Rear Grille	1
31	1472029	Rear Grille	1
32	2012207504	Electric Control Box Cover2	1
33	24252016	Screw Cover	1
34	390000451	Ambient Temperature Sensor	1
35	390000598	Indoor Coil Temperature Sensor	1
36	30510138	Remote Controller	1
Not Shown	26150008	Remote Control Holder/Cradle	1

# GWH09TB-D3DNA1A/O 9,000 Btuh 208/230v Outdoor Unit



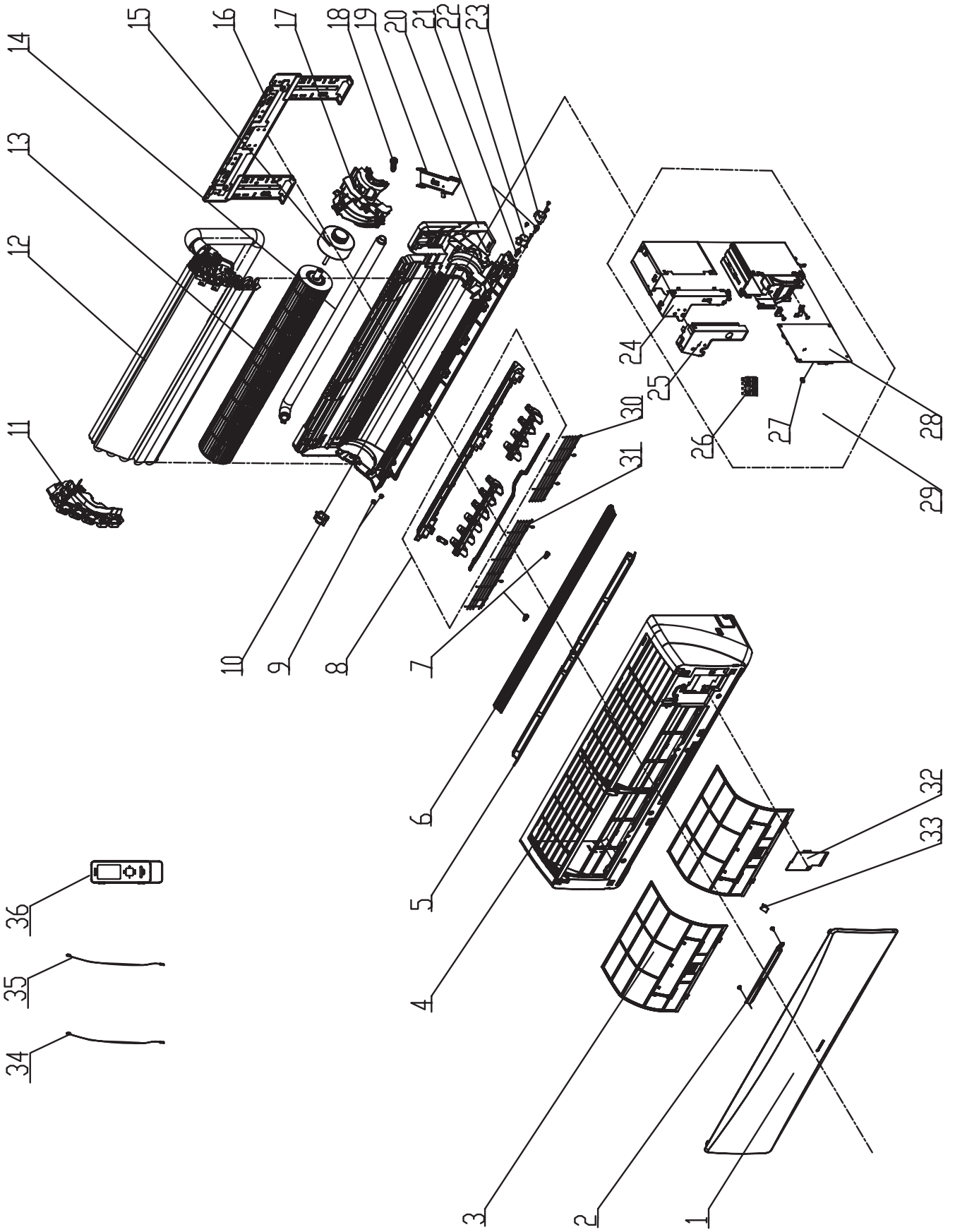
**GWH09TB-D3DNA1A/O**  
**9,000 Btuh 208/230v Outdoor Unit**  
 Product Code: CB148W02200

NO.	Part Code	Part Description	Qty
1	1473065	Front Grille	1
2	01433034P	Cabinet	1
3	10333417	Axial Flow Fan	1
4	1501307901	Fan Motor	1
5	1233125	Clapboard	1
6	26113009	Drainage Joint	1
7	02803086P	Chassis Sub-Assy	1
8	76710290	Compressor Grommets	3
9	103851	Compressor and Fittings	1
10	183043	Compressor Overload Protector(External)	1
11	01713115P	Valve Support Sub-Assy	1
12	01303244P	Right Side Plate	1
13	22243005	Valve Cover	1
14	02123013P	Cable Cross Plate 1	1
15	02123014P	Cable Cross Plate 2	1
16	7133674	Cut off Valve Sub-Assy	1
17	7133204	Cut-off Valve Sub-Assy	1
18	3123870	4-Way Valve Assy	1
19	430004002	Magnet Coil	1
20	43130184	Reactor	1
21	7133623	Electric Expansion Valve Sub-Assy	1

NO.	Part Code	Part Description	Qty
22	4300876701	Magnet Coil	1
23	1113882	Condenser Coil Assy	1
24	01253034P	Top Cover	1
25	1703433	Motor Support Sub-Assy	1
26	01303169P	Left Side Plate	1
27	2613007	Electric Control Box Assy	1
28	260309601	Electric Control Box Cover Sub-Assy	1
29	30148104	Main Control Board	1
30	20113005	Electric Control Box 1	1
31	42010313	Terminal Board	1
32	71010003	Wire Clamp	1
33	2603616	Electric Control Box Sub-Assy	1
34	76510004	Electrical Heater (Chassis)	1
35	76513004	Electrical Heater(Compressor)	1
36	3900030903G	Temperature Sensors Assembly**	1
Not Shown	3833053	Suction Tube Sub-Assy	1
Not Shown	3833054	Discharge Tube Sub-Assy	1
Not Shown	430004032	4-Way Valve	1
Not Shown	7130239	Cut-off Valve	1
Not Shown	71302392	1/2-Inch Valve	1

\*\* Temperature Sensor Assembly contains Discharge, Coil, & Ambient Temperature sensors.

**GWH12TB-D3DNA1A/I**  
**12,000 Btuh 208/230v Indoor Unit**



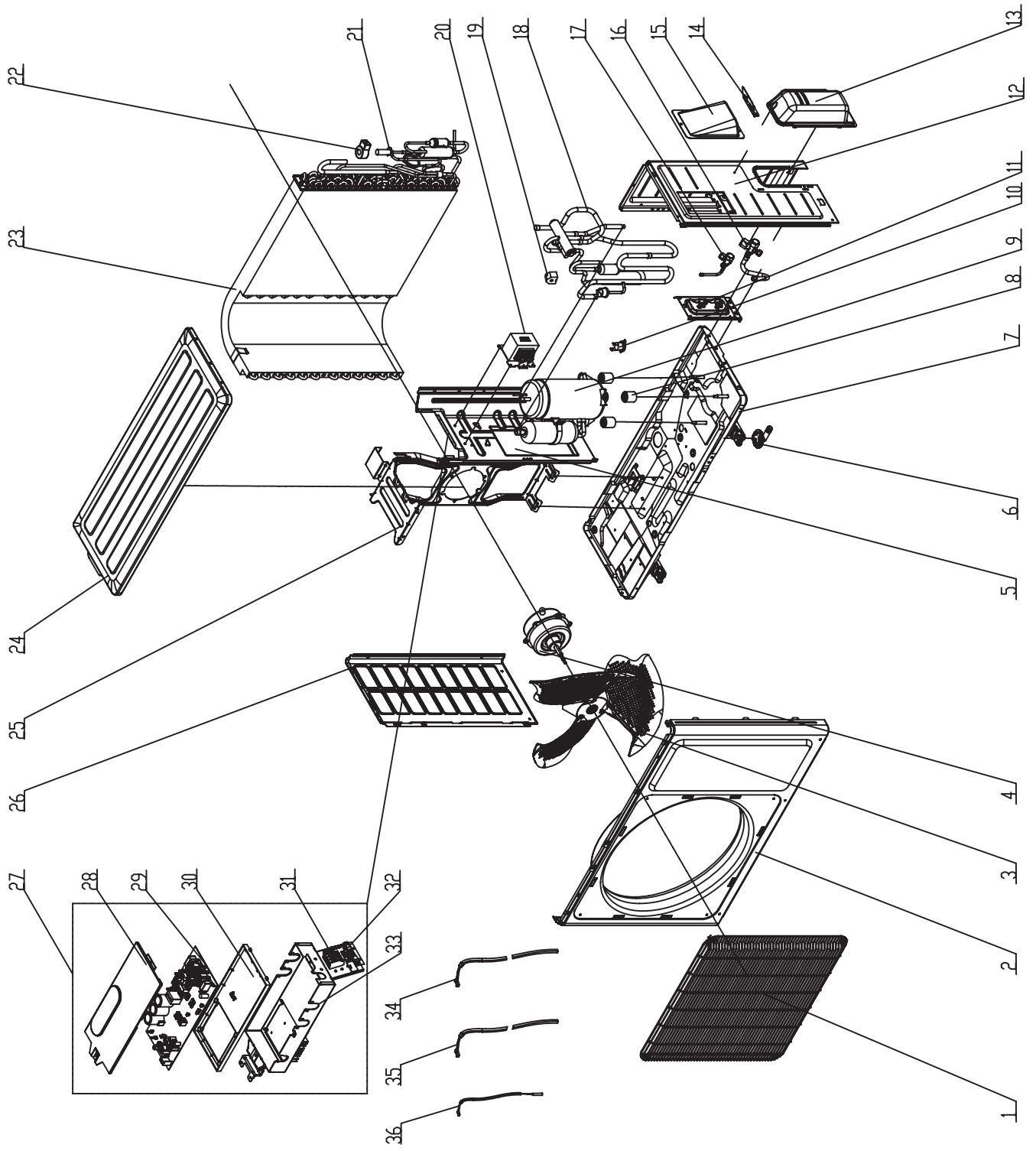


**GWH12TB-D3DNA1A/I**  
**12,000 Btuh 208/230v Indoor Unit**  
 Product Code: CB148N02300

NO.	Part Code	Part Description	Qty
1	20012850K	Front Panel	1
2	30565140	Display Board	1
3	1112211602	Filter Sub-Assy	2
4	2001288902	Front Case Sub-Assy	1
5	10512267	Guide Louver	1
6	10512127	Guide Louver (small)	1
7	10582070	Crank	1
8	2611224404	Helicoid Tongue Sub-Assy	1
9	10512037	Left Axial Bushing	2
10	1054202101	Propeller Axial Bushing	1
11	24212114	Evaporator Coil Support	1
12	1002364	Evaporator Coil Assy	1
13	10352033	Cross Flow Fan	1
14	5230014	Drainage Pipe	1
15	15013068	Fan Motor	1
16	1252484	Wall Mounting Frame	1
17	26112209	Motor Press Plate	1
18	76712012	Drainage Tray Plug	1
19	2611216402	Connecting Pipe Clamp	1

NO.	Part Code	Part Description	Qty
20	2220216103	Rear Case Assy	1
21	10542036	Axial Bushing	1
22	15212126	Stepper Motor	1
23	15212125	Stepper Motor	1
24	1592084	Shield Cover of Electric Box Sub-Assy	1
25	2012240901	Electric Control Box Cover	1
26	42011233	Terminal Board	1
27	4202300108	Configuration Jumper Connector	1
28	30148296	Main Control Board	1
29	20302490	Electric Control Box Assy	1
30	1472030	Rear Grille	1
31	1472029	Rear Grille	1
32	2012207504	Electric Control Box Cover2	1
33	24252016	Screw Cover	1
34	390000451	Ambient Temperature Sensor	1
35	390000598	Indoor Coil Temperature Sensor	1
36	30510138	Remote Controller	1
Not Shown	26150008	Remote Control Holder/Cradle	1

# GWH12TB-D3DNA1A/O 12,000 Btuh 208/230v Outdoor Unit



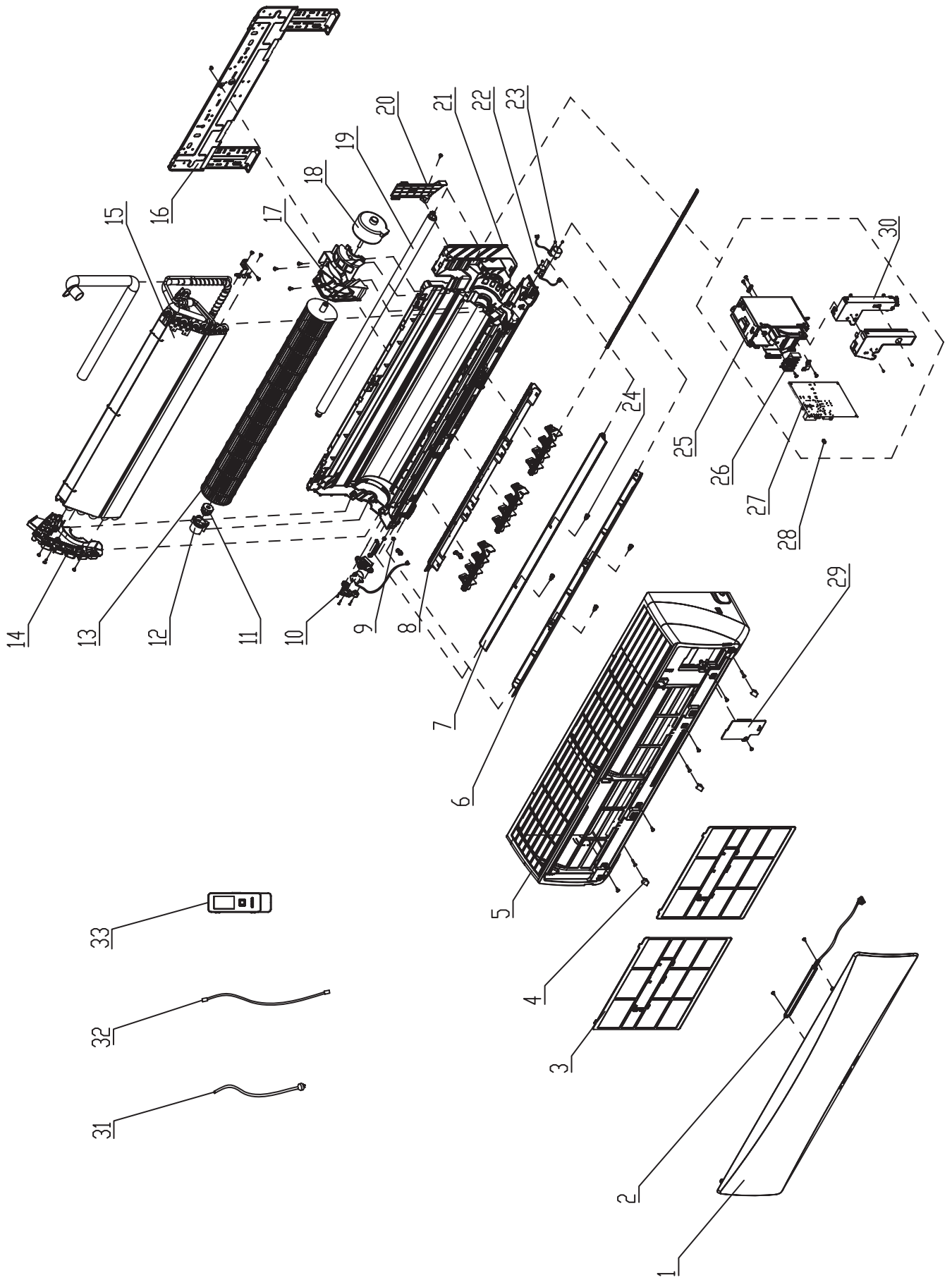
**GWH12TB-D3DNA1A/O**  
**12,000 Btuh 208/230v Outdoor Unit**  
 Product Code: CB148W02300

NO.	Part Code	Part Description	Qty
1	1473065	Front Grille	1
2	01433034P	Cabinet	1
3	10333417	Axial Flow Fan	1
4	1501307901	Fan Motor	1
5	1233125	Clapboard	1
6	26113009	Drainage Joint	1
7	02803086P	Chassis Sub-Assy	1
8	76710290	Compressor Grommets	3
9	103851	Compressor and Fittings	1
10	183043	Compressor Overload Protector(External)	1
11	01713115P	Valve Support Sub-Assy	1
12	01303244P	Right Side Plate	1
13	22243005	Valve Cover	1
14	02123013P	Cable Cross Plate 1	1
15	02123014P	Cable Cross Plate 2	1
16	7133674	Cut off Valve Sub-Assy	1
17	7133204	Cut-off valve Sub-Assy	1
18	3123870	4-Way Valve Assy	1

NO.	Part Code	Part Description	Qty
19	430004002	Magnet Coil	1
20	43130184	Reactor	1
21	7133623	Electric Expansion Valve Sub-Assy	1
22	4300876701	Magnet Coil	1
23	1113882	Condenser Coil Assy	1
24	01253034P	Top Cover	1
25	1703433	Motor Support Sub-Assy	1
26	01303169P	Left Side Plate	1
27	2613006	Electric Box Assy	1
28	260309601	Electric box Cover Sub-Assy	1
29	30148110	Main Control Board	1
30	20113005	Electric Control Box 1	1
31	42010313	Terminal Board	1
32	71010003	Wire Clamp	1
33	2603616	Electric Control Box Sub-Assy	1
34	76510004	Electrical Heater (Chassis)	1
35	76513004	Electrical Heater(Compressor)	1
36	3900030903G	Temperature Sensors Assembly**	1

\*\* Temperature Sensor Assembly contains Discharge, Coil, & Ambient Temperature sensors.

**GWH18TC-D3DNA1A/I**  
**18,000 Btuh 208/230v Indoor Unit**

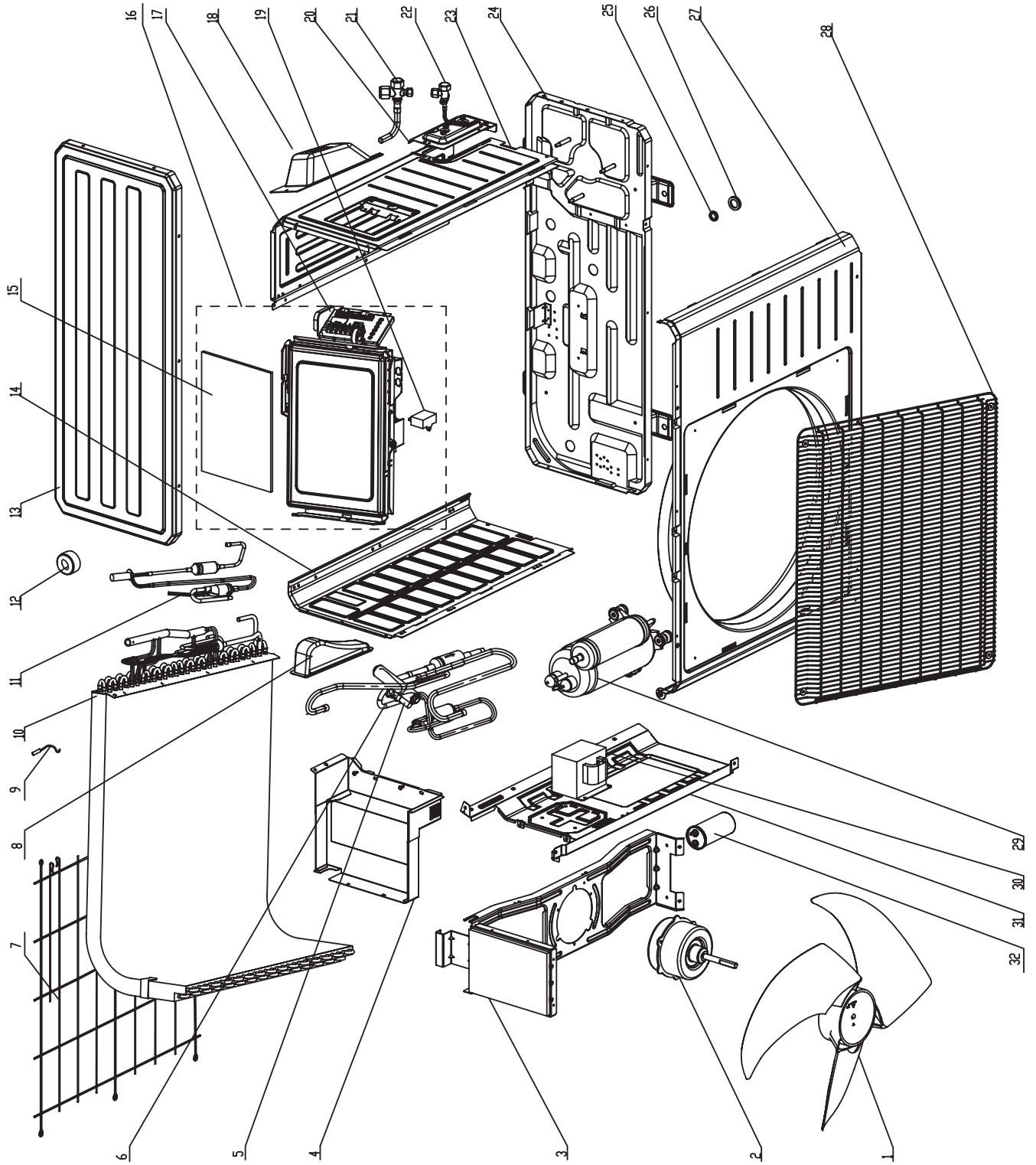


**GWH18TC-D3DNA1A/I**  
**18,000 Btuh 208/230v Indoor Unit**  
 Product Code: CB148N04000

NO.	Part Code	Part Description	Qty
1	20012820U	Front Panel	1
2	30565141	Display Board	1
3	1112209105	Filter Sub-Assy	2
4	24252016	Screw Cover	3
5	20012821	Front Case	1
6	10512283	Guide Louver	1
7	1051222601	Guide Louver (small)	1
8	2611234901	Helicoid Tongue	1
9	1051203701	Left Axial Bushing	2
10	1501208602	Stepper Motor	1
11	76512203	Cross Fan O-Gasket Bearing	1
12	26152025	Bearing Ring	1
13	10352045	Cross Flow Fan	1
14	24212139	Evaporator Coil Support	1
15	100229901	Evaporator Coil Assy	1
16	1252123	Wall Mounting Frame	1
17	26112316	Motor Press Plate	1
18	15012127	Fan Motor	1

NO.	Part Code	Part Description	Qty
19	523001406	Drainage Pipe	1
20	26112188	Connecting Pipe Clamp	1
21	22202499	Rear Case Assy	1
22	15212404	Stepper Motor	1
23	1521212901	Stepper Motor	1
24	10542036	Axial Bushing	2
25	20302705	Electric Control Box Assy	1
26	42011233	Terminal Board	1
27	30148469	Main Control Board	1
28	4202300115	Configeration Jumper Connector	1
29	20122142	Electric Control Box Cover2	1
30	2012240901	Electric Control Box Cover	1
31	none	Line Wire	0
32	none	Connecting Cable	0
33	30510138	Remote Controller	1
Not Shown	26150008	Remote Control Holder/Cradle	1
Not Shown	390000598	Indoor Coil Temperature Sensor	1
Not Shown	390000451	Ambient Temperature Sensor	1

# GWH18TC-D3DNA1A/O 18,000 Btuh 208/230v Outdoor Unit



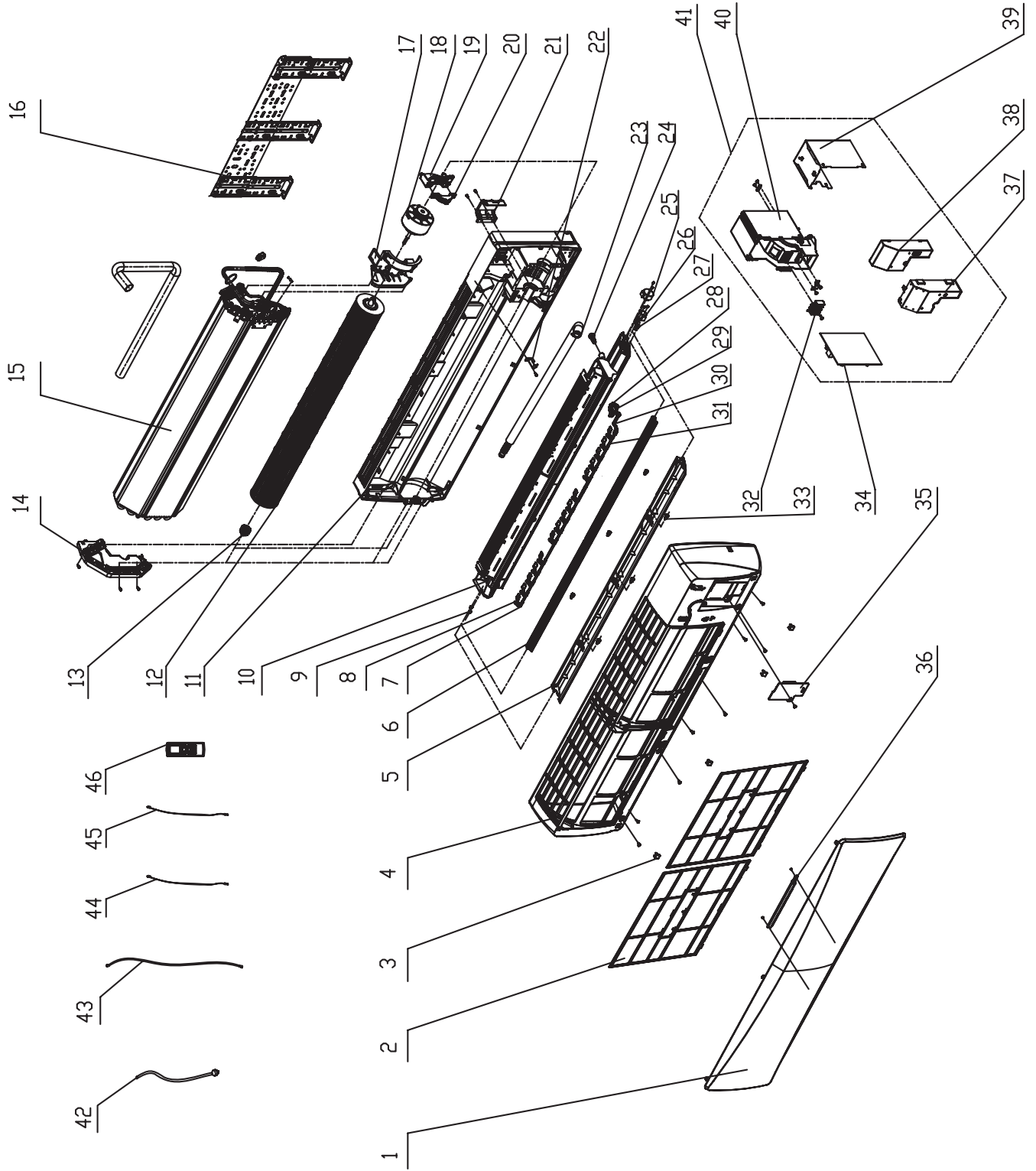
**GWH18TC-D3DNA1A/O**  
**18,000 Btuh 208/230v Outdoor Unit**  
 Product Code: CB148W04000

NO.	Part Code	Part Description	Qty
1	10335008	Axial Flow Fan	1
2	15015064	Fan Motor	1
3	170512001	Motor Support Sub-Assy	1
4	1413148	Electric Control Box (Fireproofing)	1
5	4300040033	4-way Valve Fittings	1
6	3123971	4-Way Valve Assy	1
7	1473049	Front Grille	1
8	26235401	Left Handle	1
9	3900030901	Temperature Sensors Assembly**	1
10	1113609	Condenser Coil Assy	1
11	7133726	Electronic Expansion Valve Assy	1
12	4300876704	Electric Expand Valve Fitting	1
13	01255005P	Top Cover	1
14	01305093P	Left Side Plate	1
15	20113003	Insulating Plate of Electric Box Cover	1
16	2613202	Electric Control Box Assy	1
17	42010255	Terminal Board	1
18	26235254	Handle	1
19	none	Capacitor CBB61	1
20	01713098P	Valve Support Sub-Assy	1
21	7133157	Cut-off Valve	1
22	7130239	Cut-off Valve	1
23	0130509402P	Right Side Plate	1

NO.	Part Code	Part Description	Qty
24	0280306201P	Chassis Sub-Assy	1
25	6123401	Drainage Connector	1
26	6813401	Drainage Hole Cap	3
27	none	Front Panel	1
28	1473043	Rear Grille	1
29	103807	Compressor and Fittings	1
30	43130021	Reactor	1
31	1232902	Clapboard Sub-Assy	1
32	33000065	Capacitor CBB65	1
Not Shown	430004032	4-Way Valve	1
Not Shown	22245002	Valve Cover	1
Not Shown	7130369	Electronic Expansion Valve	1
Not Shown	01433047P	Cabinet	1
Not Shown	7133093	Cut off Valve Sub-Assy	1
Not Shown	49013024	Radiator	1
Not Shown	301388331	Main Control Board	1
Not Shown	20113015	Electric Control Box	1
Not Shown	36356658	Atmolysis Pipe Sub-Assy	1
Not Shown	3223830	Collecting Liquid Pipe Sub-Assy	1
Not Shown	76710290	Compressor Grommets	3
Not Shown	183043	Compressor Overload Protector(External)	1
Not Shown	1705125	Motor Support	1

\*\* Temperature Sensor Assembly contains Discharge, Coil, & Ambient Temperature sensors.

# GWH24TD-D3DNA1A/I 24,000 Btuh208/230v Indoor Unit



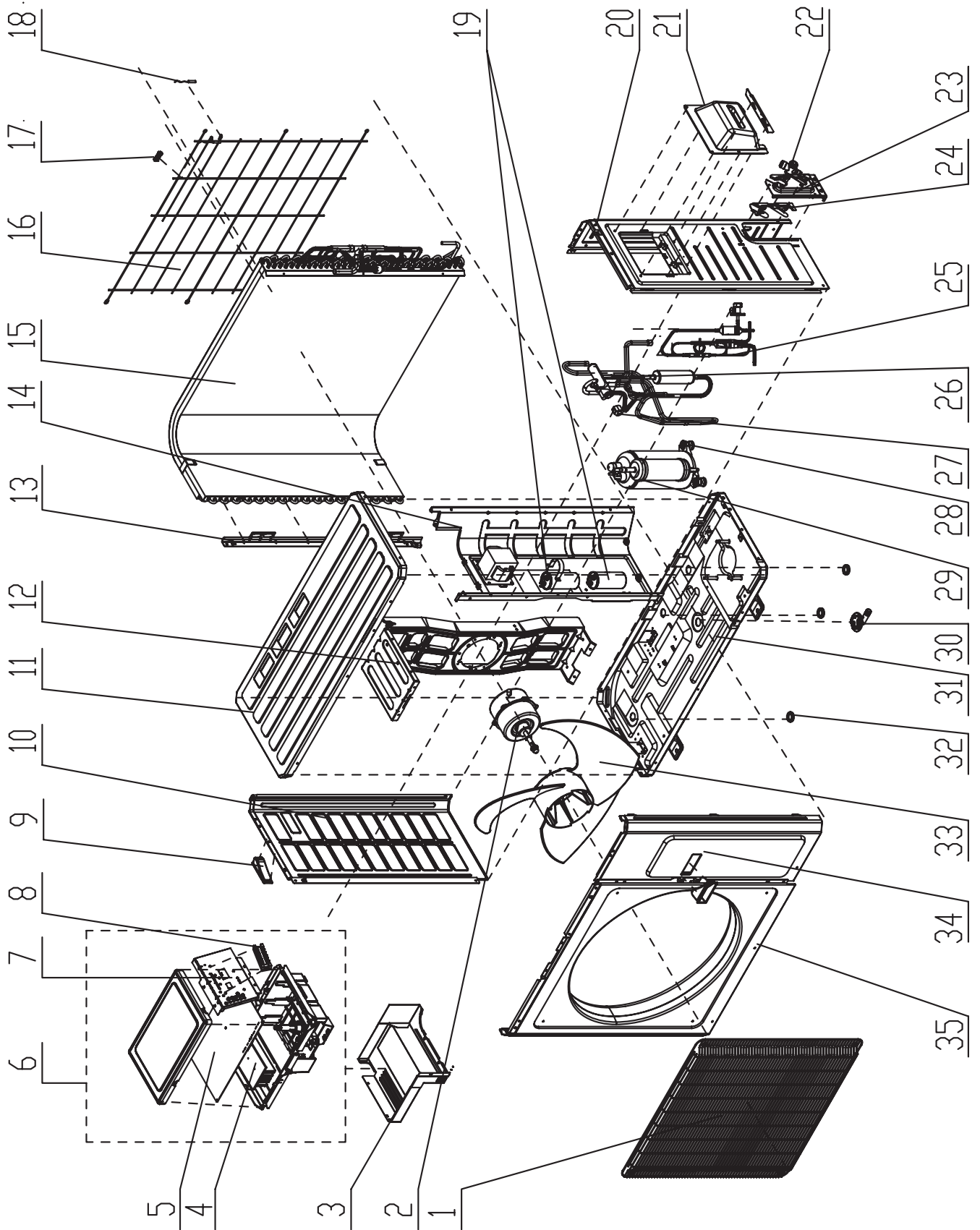


**GWH24TD-D3DNA1A/I**  
**24,000 Btuh208/230v Indoor Unit**  
 Product Code: CB148N03800

NO.	Part Code	Part Description	Qty
1	20012894U	Front Panel	1
2	11122136	Filter Sub-Assy	2
3	242520053	Screw Cover	4
4	20022004	Front Case Sub-Assy	1
5	10512236	Guide Louver	1
6	1051223701	Small Guide Louver	1
7	1058211601	Swing Lever2	1
8	10512252	Air Louver	15
9	1051203701	Left Axial Bushing	2
10	1272119	Water Tray Assy	1
11	22202092	Rear Case Assy	1
12	10352420	Cross Flow Fan	1
13	76512203	Cross Fan O-Gasket Bearing	1
14	24212041	Left Evaporator Coil Support	1
15	1002340	Evaporator Coil Assy	1
16	1252398	Wall Mounting Frame	1
17	2421204201	Right Support of Coil Evaporator	1
18	1501213401	Fan Motor	1
19	26112324	Motor Fixed Clip 1	1
20	26112325	Motor Fixed Clip 2	1
21	26112071	Pipe Clamp	1
22	2112009	Fixed Clip (Evaporator)	1
23	523001403	Drainage Pipe	1

NO.	Part Code	Part Description	Qty
24	76712012	Drainage Tray Plug	1
25	1521240208	Stepper Motor	1
26	1521212602	Stepper Motor	1
27	73012021	Crank	2
28	1521212301	Stepper Motor	1
29	26152046	Motor Holder	1
30	1058211701	Swing Lever 2	1
31	1058211501	Swing Lever 1	1
32	42011233	Terminal Board	1
33	10542036	Axial Bushing	3
34	30148469	Main Control Board	1
35	20122142	Electric Control Box Cover2	1
36	30565141	Display Board	1
37	1592108	Shield Cover of Electric Control Box Cover	1
38	20122164	Electric Control Box Cover	1
39	1592107	Shield Cover of Electric Control Box	1
40	20112140	Electric Control Box	1
41	20302612	Electric Control Box Assy	1
42	NA	Line Wire	0
43	NA	Connecting cable	0
44	390000451	Ambient Temperature Sensor	1
45	390000598	Indoor Coil Temperature Sensor	1
46	30510138	Remote Controller	1
Not Shown	26150008	Remote Control Holder/Cradle	1

**GWH24AC-D3DNA2D/O**  
**24,000 Btuh208/230v Outdoor Unit**



**GWH24AC-D3DNA2D/O**  
**24,000 Btuh208/230v Outdoor Unit**  
 Product Code: CB148W03800

NO.	Part Code	Part Description	Qty
1	1473050	Front Grille	1
2	15014034	Fan Motor	1
3	1413426	Electric Control Box (fireproofing)	1
4	49010252	Radiator	1
5	301484431	Main Control Board	1
6	2613078	Electric Control Box Assy	1
7	1715016	Terminal Board Support-Assy	1
8	42010255	Terminal Board	1
9	26235401	Left Handle	2
10	01305043P	Left Side Plate	1
11	01255006P	Top Cover	1
12	1705437	Motor Support Sub-Assy	1
13	1175092	Condenser Support Plate	1
14	1233138	Clapboard Assy	1
15	1163118	Condenser Coil Assy	1
16	1475013	Rear Grille	1
17	26115004	Wiring Clamp	1
18	3900030901	Temperature Sensors Assembly**	1

NO.	Part Code	Part Description	Qty
19	3300008107	Capacitor	2
20	0130504402P	Right Side Plate	1
21	2113109	Handle Assy	1
22	7133157	Cut-off Valve	1
23	0171501201P	Valve Support Sub-Assy	1
24	01365435P	Baffle (valve support)	1
25	81020167	Capillary Tube	4
26	3123843	4-Way Valve Assy	1
27	4300040033	4-way Valve Fittings	1
28	76812805	Compressor Grommets	3
29	105051	Compressor and Fittings	1
30	6123401	Drainage Connector	1
31	02803016P	Chassis Sub-Assy	1
32	6813401	Drainage Hole Cap	3
33	10335005	Axial Flow Fan	1
34	01303249P	Front Side Plate Sub-Assy	1
35	0143500401P	Cabinet	1

\*\* Temperature Sensor Assembly contains Discharge, Coil, & Ambient Temperature sensors.

