



en

ENA 9 One Touch Instructions for Use



For your safety: read and understand manual before use.

Your ENA 9 One Touch

| | |
|--|-----------|
| IMPORTANT SAFEGUARDS | 4 |
| Control elements | 8 |
| 1 Preparing and using for the first time | 10 |
| JURA on the Internet | 10 |
| 3-colour plain text display | 10 |
| Setting up the machine | 10 |
| Filling the water tank | 10 |
| Filling the bean container | 10 |
| First-time use | 10 |
| Inserting and activating the filter | 11 |
| Determining and adjusting the water hardness | 12 |
| Adjusting the grinder | 13 |
| 2 Preparation | 14 |
| Coffee | 14 |
| Preparing two specialty coffees at the touch of a button | 14 |
| Aroma Boost | 14 |
| Latte macchiato, cappuccino | 14 |
| Permanently setting the amount of water for the cup size | 15 |
| Ground coffee | 15 |
| Hot water | 16 |
| 3 Daily operation | 16 |
| Switching on the machine | 16 |
| Daily maintenance | 16 |
| Switching off the machine | 17 |
| 4 Permanent settings in programming mode | 17 |
| Products | 17 |
| Energy-saving mode | 18 |
| Automatic switch-off | 18 |
| Rinses | 19 |
| Unit for amount of water | 19 |
| Language | 19 |
| 5 Maintenance | 20 |
| Rinsing the machine | 20 |
| Rinsing the milk system | 20 |
| Cleaning the milk system | 21 |
| Dismantling and rinsing the dual spout | 21 |
| Changing the filter | 22 |
| Cleaning the machine | 23 |
| Descaling the machine | 24 |
| Descaling the water tank | 25 |
| Cleaning the bean container | 25 |

| | | |
|----|---|----|
| 6 | Display messages | 26 |
| 7 | Troubleshooting | 27 |
| 8 | Transport and environmentally friendly disposal | 28 |
| | Transport / Emptying the system | 28 |
| | Disposal | 28 |
| 9 | Technical data | 28 |
| 10 | Index | 29 |
| 11 | JURA contact details / Legal information | 31 |

Symbol description

Warnings



This is the safety alert symbol. It is used to alert you to potential personal injury hazards. Obey all safety messages that follow this symbol to avoid possible injury or death.



DANGER indicates a hazardous situation which, if not avoided, will result in death or serious injury.



WARNING indicates a hazardous situation which, if not avoided, could result in death or serious injury.



CAUTION, used with the safety alert symbol, indicates a hazardous situation which, if not avoided, could result in minor or moderate injury.

NOTICE

NOTICE is used to address practices not related to personal injury.

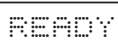
Symbols used



Prompt to take action. This symbol means that you are being prompted to perform some action.



Information and tips to make it even easier to use your IMPRESSA.



Display message

IMPORTANT SAFEGUARDS

Follow the basic safety precautions

When using electrical appliances, basic safety precautions shall always be followed, to reduce the risk of fire, electric shock, and/or injury to persons, including the following:

- Read all instructions.
- Do not touch hot surfaces. Use handles or knobs.
- To protect against fire, electric shock and injury to persons, do not immerse power cord, plugs, or body of machine in water or other liquid.
- Close supervision is necessary when any appliance is used by or near children.
- Unplug from outlet when not in use and before cleaning. Allow to cool before putting on or taking off parts, and before cleaning the appliance.
- Do not operate any appliance with a damaged cord or plug or after the appliance malfunctions, or has been damaged in any manner. Return appliance to the nearest authorized service facility for examination, repair or adjustment.
- The use of an accessory attachment not recommended by the appliance manufacturer may result in fire, electric shock, or injury to persons.
- Do not use outdoors.
- Do not let the cord hang over the edge of a table or counter, or touch hot surfaces.
- Do not place on or near a hot gas or electric burner, or in a heated oven.
- Always attach plug to appliance first, then plug cord into the wall outlet. To disconnect, turn any control to 'OFF' then remove plug from wall outlet.
- Do not use appliance for other than intended use.
- Use extreme caution when dispensing hot steam, hot water or hot coffee.
- For household use only.

SAVE THESE INSTRUCTIONS.

Pass them on to any subsequent user.

Intended use The appliance is designed and intended for household use only. It shall only be used for coffee preparation and to heat milk and water, according to these instructions. Use for any other purpose will be deemed improper. JURA Elektroapparate AG cannot accept any responsibility for the consequences of improper use.

People, including children, who

- do not have the physical, sensory or mental capabilities to use the appliance safely or
- are inexperienced or lack knowledge in how to use the appliance safely

must be supervised by a responsible person when using it, or must be instructed in how to use it correctly.

Special power cord set instructions

- The power cord is provided to reduce the risk resulting from becoming entangled in or tripping over a long cord.
- The cord shall be arranged so that it will not drape over the counter top or table top where it can be pulled on by children or tripped over.
- This appliance has a 3-pin grounded plug. As a safety feature, this plug will fit in a polarized outlet only one way.
- If the plug does not fit fully in the outlet, reverse the plug. If it still does not fit, contact a qualified electrician.
- Do not modify the plug in any way or attempt to defeat this safety feature.

Do NOT use extension cords.

If the user chooses to use an extension cord,

- the marked electrical rating of the extension cord shall be at least as great as the electrical rating of the appliance, and
- if the appliance is of the grounded type, the extension cord shall be a grounding type 3-wire cord, and
- the longer cord shall be arranged so that it will not drape over the counter top or tabletop where it can be pulled on by children or tripped over.

⚠ WARNING



To reduce the risk of fire or electric shock, DO NOT remove any service covers. DO NOT modify the appliance in any way that is not described in these instructions. NO user serviceable parts included. Repair MUST be done by authorized personnel only.

In the event of signs of damage, for example if there is a smell of burning, unplug the machine immediately from outlet and contact JURA customer service.

en

IMPORTANT SAFEGUARDS

⚠ CAUTION

This appliance is for household use. Any servicing other than cleaning and user maintenance shall be performed by an authorized service representative:

- Do not immerse base in water or try to disassemble.
- Do not put the appliance or any individual parts in the dishwasher.
- Check voltage to be sure that the voltage indicated on the name plate complies with your voltage.
- Never use warm or hot water to fill the water container. Use cold water only.
- Keep your hands and the cord away from hot parts of the appliance during operation.

NOTICE



- Never clean with scouring powders or hard implements.
- Ensure that the ventilation slots are not covered.
- Never pull out the drip tray during the brewing process. Only pull the drip tray when the display instructs you or when the appliance is ready for use.

**NEVER DO
(or you will void your
warranty protection):**

- Never fill instant coffee, chocolate mix etc. into the bean container or ground coffee funnel (filler funnel for ground coffee). It will damage the functioning of the brewing chamber.
- Never fill sugar coated coffee beans into the bean container. In case of doubt, call your dealer.
- Never fill anything other than coffee beans into the bean container (no chocolate, no rice, no nuts, no spices, nothing other than roasted coffee beans).
- Never fill frozen beans into the bean container. If you store beans in the freezer, let them thaw 3 to 4 hours before filling them into the bean container.
- Never fill anything but fresh, cold and clean water into the water tank, except when decalcifying.
- Never use mineral or carbonated water. You can use tap water, bottled water, spring water and reverse osmosis water.
- Never do anything with the machine which is not described in these instructions. In case of doubt, call your dealer.

Control elements

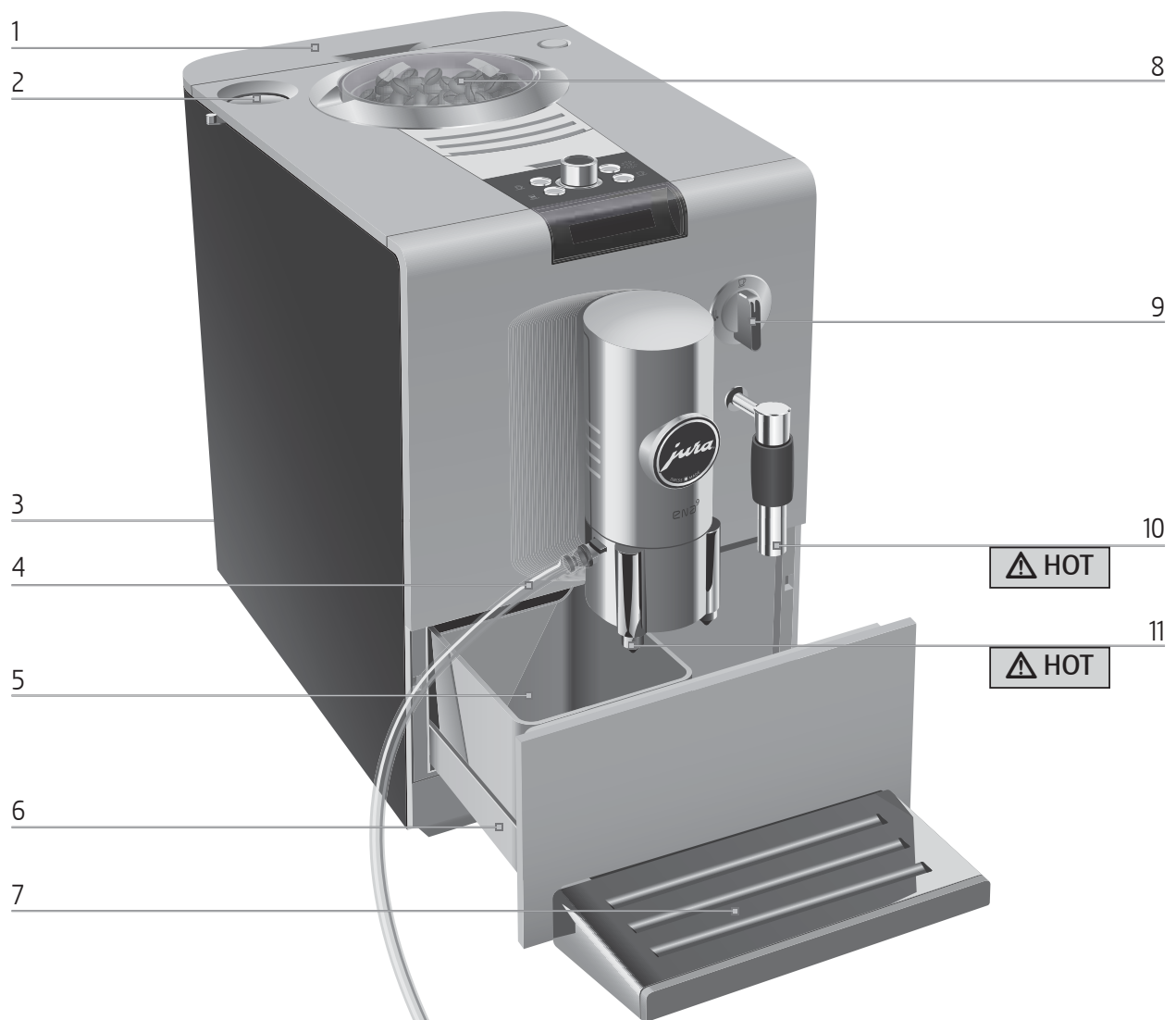


Figure: Your machine may look different to the one shown.

- | | | | |
|---|----------------------------------|----|------------------------------------|
| 1 | Water tank | 8 | Bean container cover |
| 2 | Powder chute for ground coffee | 9 | ☺ Switch for hot water preparation |
| 3 | Power cord (back of the machine) | 10 | Hot-water nozzle |
| 4 | Milk pipe | 11 | Height-adjustable dual spout |
| 5 | Coffee grounds container | | |
| 6 | Drip tray | | |
| 7 | Cup platform | | |



en

- | | | | |
|---|------------------------|----|--------------------|
| 1 | Cover | 5 | On/Off button |
| 2 | Maintenance button | 6 | Grinding wheel |
| 3 | Cappuccino button | 7 | Aroma Boost button |
| 4 | Latte Macchiato button | 8 | Coffee button |
| | | 9 | Rotary Switch |
| | | 10 | Display |

1 Preparing and using for the first time

1 Preparing and using for the first time

JURA on the Internet

Visit us on the Internet.

- @ On the JURA website (www.jura.com) you will find interesting and up-to-date information on your ENA and on every aspect of coffee.

3-colour plain text display

Your ENA features a 3-colour plain text display. The colours of the display texts have the following meanings:

- Green: The ENA is ready for use.
- Red: The ENA is prompting you to perform some action.
- Yellow: You are in programming mode.

Setting up the machine

When setting up your ENA, please note the following:

- Place the machine on a horizontal surface that is not sensitive to water.
- Choose a spot for your ENA which protects the machine against overheating. Ensure that the ventilation slots are not covered.

Filling the water tank

To enjoy the perfect cup of coffee we recommend changing the water every day.

NOTICE

Milk, sparkling mineral water or other liquids can damage the water tank or the machine.

- ▶ Only fill the water tank with fresh, cold water.

- ▶ Remove the water tank and rinse with cold water.



- ▶ Fill the water tank with fresh, cold water and reinsert it.

Filling the bean container

NOTICE

Coffee beans which have been treated with additives (e.g. sugar), ground coffee or freeze-dried coffee will damage the grinder.

- ▶ Only use untreated coffee beans to refill the bean container.

- ▶ Remove the bean container cover.
- ▶ Remove any dirt or foreign objects from inside the bean container.
- ▶ Fill the bean container with coffee beans.
- ▶ Close the bean container.

First-time use

- i** The On/Off button also acts as a power switch. When the ENA is switched off, the machine does not consume standby energy.

⚠ WARNING

If the machine is operated with a defective power cord, there is a danger of potentially fatal electric shock.

- ▶ Never use a machine which is damaged.
- ▶ Never use a machine which has a defective power cord.

- i** The water volume is given as standard in **oz**. You can change this setting to **ML** in programming mode (see Chapter 4 'Permanent settings in programming mode – Unit for amount of water').

Precondition: The water tank and bean container are full.

- ▶ Insert the power supply plug into a power socket.
- ▶ Press the On/Off button to switch the machine on.
LANGUAGE ENGLISH

- i** You can select another language by turning the Rotary Switch.

- ▶ Press the Rotary Switch to confirm the language setting.



OK, the language is set.
PRESS ROTARY

- ▶ Place a receptacle under the dual spout.



- ▶ Press the Rotary Switch.
SYSTEM FILLING
HEATING
PRESS ROTARY
- ▶ Press the Rotary Switch to start the rinse.
RINSING, the system rinses itself, stopping automatically.
READY

Inserting and activating the filter

Your ENA no longer has to be descaled if you are using the CLEARYL Blue filter cartridge.

- i** Perform the 'inserting the filter' operation without any interruptions. This will ensure that your ENA always produces its best.

Precondition: **READY** is displayed.

- ▶ Press **and hold** the Rotary Switch until **RINSE** appears.
- ▶ Turn the Rotary Switch until **FILTER** is displayed.
- ▶ Press the Rotary Switch to enter the program item.
NO
- ▶ Turn the Rotary Switch until **YES** is displayed.
- ▶ Press the Rotary Switch to confirm the setting.
OK
INSERT FILTER
- ▶ Remove and empty the water tank.
- ▶ Open the filter holder.
- ▶ Insert the filter cartridge into the water tank, exerting slight pressure.




- ▶ Close the filter holder. It will click into place audibly.

- i** After two months, the filter will cease to work. You can check the elapsed time by referring to the date plate on the filter holder in the water tank.

- ▶ Fill the water tank with fresh, cold water and reinsert it.
- ▶ Place a receptacle (at least 17 oz or 500 ml) under the hot-water nozzle.


1 Preparing and using for the first time

- ▶ Press the Rotary Switch.
OPEN TAP
- ▶ Turn the switch anticlockwise to position .
FILTER RINSING, water flows out of the hot-water nozzle.

i You can interrupt rinsing of the filter at any time. To do this, turn the switch clockwise. Turn the switch anticlockwise to continue rinsing the filter.

i The water may be slightly discolored. This is not harmful to health and does not affect the taste.

Rinsing of the filter stops automatically,
CLOSE TAP.

- ▶ Turn the switch clockwise to position .
HEATING
READY
The filter is now activated.

Determining and adjusting the water hardness

i If you are using the CLEARYL Blue filter cartridge and have activated it in programming mode, you will not be able to adjust the water hardness.

The harder the water is, the more frequently the ENA needs to be descaled. It is therefore important to adjust the water hardness.

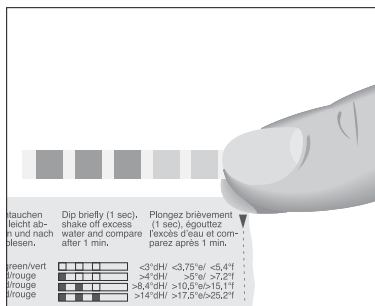
The water hardness can be adjusted on a continuous scale between 1° dH and 30° dH.

| Level | Display German Degree (°dH) | Degrees of general hardness (°dGH) | Parts per million (ppm) | Indicator Strip number of 'reddish' fields |
|-----------------|-----------------------------|------------------------------------|-------------------------|--|
| Not active | – | – | – | – |
| Very soft water | <3 | <3 | < 53.4 | None |
| Soft water | > 4 | > 4 | > 71 | 1 |
| Hard water | > 8.4 | > 8.4 | > 150 | 2 |
| Very hard water | > 14 | > 14 | > 250 | 3 |

Determining the water hardness

You can find out what the water hardness is by using the Aquadur® test strip supplied as standard.

- ▶ Hold the test strip briefly (for one second) under running water.
- ▶ Shake off the water.
- ▶ Wait for about one minute.
- ▶ You will then be able to read the degree of water hardness from the discoloration of the Aquadur® test strip and the description on the packaging.



The water hardness can now be adjusted.

Adjusting the water hardness

Example: Change the water hardness setting from 16°dH to 25°dH.

Precondition: READY is displayed.

- ▶ Press and hold the Rotary Switch until RINSE appears.
- ▶ Turn the Rotary Switch until HARDNESS is displayed.
- ▶ Press the Rotary Switch to enter the program item.
16°dH
- ▶ Turn the Rotary Switch until 25°dH is displayed.
- ▶ Press the Rotary Switch to confirm the setting.
OK, the water hardness is set.
HARDNESS
- ▶ Turn the Rotary Switch until EXIT is displayed.
- ▶ Press the Rotary Switch to exit programming mode.
READY

Adjusting the grinder

You can adjust the grinder on a continuous scale to suit the degree of roast of your coffee.

NOTICE

If you adjust the consistency of grind when the grinder is not operating, the grinding wheel could be damaged.

- ▶ Only adjust the consistency of grind when the grinder is running.

The consistency of grind setting is correct if the coffee flows regularly from the coffee spout. In addition a fine, thick crema forms.

Example: Change the consistency of grind during the preparation of a coffee.

- ▶ Place a cup under the dual spout.
- ▶ Press the Coffee button to start preparation.
- ▶ Turn the grinding wheel to the desired position **while** the grinder is running.



1 COFFEE, the preset amount of water flows into the cup and preparation stops automatically.

READY

2 Preparation

WARNING

Hot coffee, hot steam and hot water can cause scalding. Scalding is a serious burn.

- ▶ Use extreme care when handling hot liquid or steam.
- ▶ Allow liquid to cool down before drinking.
- ▶ In the event of scalding, rinse affected area with cold water and seek medical attention.
- ▶ Keep children AWAY.

For a summary of the different temperatures, please refer to Chapter 4 'Permanent settings in programming mode – Products'.


- i** You can interrupt preparation at any time while a specialty coffee or specialty coffee with milk is being prepared. Just press any button.
- i** Before and during the grinding operation you can select the **coffee strength** for '1 coffee', 'cappuccino' and 'latte macchiato': **MILD, NORMAL, STRONG**.
- i** During preparation, you can change the preset **amount of water** by turning the Rotary Switch.
- i** You can follow the current status of preparation on the progress bar.
- i** The water volume is given as standard in **OZ**. You can change this setting to **ML** in programming mode (see Chapter 4 'Permanent settings in programming mode – Unit for amount of water').

You can make permanent settings for all products in programming mode (see Chapter 4 'Permanent settings in programming mode – Products').

Coffee

Precondition: **READY** is displayed.

- ▶ Place a cup under the dual spout.


-  ▶ Press the Coffee button to start preparation. **1 COFFEE**, the preset amount of water flows into the cup. Preparation stops automatically. **READY**

Preparing two specialty coffees at the touch of a button

The preparation of 2 espressi and 2 coffees follows this same model.

Example: Prepare two espressi.


Precondition: **READY** is displayed.

- ▶ Place two espresso cups under the dual spout.
-  ▶ Press the Aroma Boost button **twice** (within two seconds) to start preparation. **2 ESPRESSI**, the preset amount of water flows into the cups. Preparation stops automatically. **READY**

Aroma Boost

When you prepare an 'Aroma Boost' the maximum possible amount of powder is freshly ground and extracted to make an extra strong espresso or coffee.

Precondition: **READY** is displayed.

- ▶ Place a cup under the dual spout.
-  ▶ Press the Aroma Boost button to start preparation. **SPECIAL**, the preset amount of water flows into the cup. Preparation stops automatically. **READY**

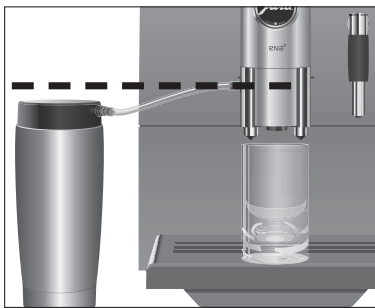
Latte macchiato, cappuccino

Your ENA can prepare a latte macchiato or cappuccino at the touch of a button. There is no need to move the glass or cup.


Example: Proceed as follows to prepare one latte macchiato.

Precondition: READY is displayed.

- ▶ Place a glass under the dual spout.
- ▶ Remove the protective cover of the dual spout.
- ▶ Connect the milk pipe to the dual spout.
- ▶ Immerse the other end of the milk pipe in a receptacle with milk (figure: JURA 0.4 liter stainless steel vacuum milk container).



i Ensure that the filling height of the milk is **no higher** than the milk pipe connection on the dual spout.

-  ▶ Press the Latte Macchiato button.
LATTE MAC., the milk foam is prepared.
Preparation stops automatically when the preset amount of milk is reached.
PAUSE

i There is a short interval while the hot milk separates from the milk foam. This allows the typical layers of a latte macchiato to form. You can choose the length of this interval in programming mode (see Chapter 4 'Permanent settings in programming mode – Products').




LATTE MAC., coffee preparation starts.
The preset amount of water flows into the cup.
Preparation stops automatically.
READY

Permanently setting the amount of water for the cup size

It is easy to make permanent settings for the amount of water for all specialty coffees according to the cup size. Adjust the amount once as shown in the following example. Every time you prepare a drink in the future, this amount of water will be dispensed.

Example: Permanently adjust the amount of water for one coffee to the cup size.

Precondition: READY is displayed.

- ▶ Place a cup under the dual spout.
-  ▶ Press **and hold** the Coffee button.
1 COFFEE, the grinding operation starts.
-  ▶ **Continue to hold** the Coffee button down until ENOUGH COFFEE ? appears.
-  ▶ **Release** the Coffee button.

Preparation starts and the coffee flows into the cup.

- ▶ Press any button as soon as there is sufficient coffee in the cup.
OK, 1 COFFEE, the set amount of water for one coffee is permanently stored.
READY

i You can alter this setting at any time by repeating the above procedure.

Ground coffee

You can choose to use a second coffee variety, for example decaffeinated coffee, with the powder chute for ground coffee.

- i** Never add more than two level measuring spoons of ground coffee.
- i** Use ground coffee which is not ground too finely. Very fine coffee can block up the system so that the coffee only comes out in drips.
- i** If you did not fill the machine with a sufficient amount of ground coffee, NOT ENOUGH POWDER is displayed and the ENA stops the operation.

3 Daily operation

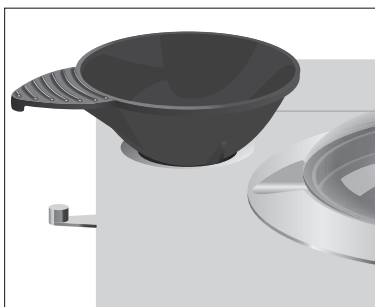
- i** The desired specialty coffee must be prepared within approximately one minute after filling with the ground coffee. Otherwise the ENA stops the operation and is once more ready for use.


The preparation of 1 coffee, 2 coffees, 2 espressi, cappuccino and latte macchiato with ground coffee follows this model. It is not possible to prepare an Aroma Boost with ground coffee.


Example: Prepare a cup of coffee using ground coffee.

Precondition: READY is displayed.

- ▶ Place a cup under the dual spout.
- ▶ Open the powder chute.
FILL POWDER
- ▶ Place the filler funnel for ground coffee on the powder chute.



- ▶ Place one level measuring spoon of ground coffee into the filler funnel.
- ▶ Remove the filler funnel.
- ▶ Close the powder chute.
SELECT BUTTON
-  ▶ Press the Coffee button to start preparation.
1 COFFEE, the preset amount of water flows into the cup.
Preparation stops automatically.
READY

- i** It is also possible to prepare two cups of ground coffee. To do this, place two cups under the dual spout and add two level measuring spoons of ground coffee into the filler funnel. Press the Coffee button  **twice** (within two seconds) to start preparation.

Hot water




⚠ CAUTION

There is a danger of scalding from hot water splashes.

- ▶ Avoid direct contact with the skin.

Temperature of hot water: > 167 °F (75 °C)



Precondition: READY is displayed.

- ▶ Place a cup under the hot-water nozzle.
-  ▶ Turn the switch anticlockwise to position . WATER, hot water flows into the cup.
-  ▶ Turn the switch clockwise when there is sufficient water in the cup.
READY

3 Daily operation

Switching on the machine

When the ENA is switched on, a prompt to perform a rinse operation automatically appears.

-  ▶ Press the On/Off button to switch the ENA on.
HEATING
PRESS ROTARY
- ▶ Place a receptacle under the dual spout.
-  ▶ Press the Rotary Switch to start the rinse.
RINSING, the system rinses itself, stopping automatically.
READY

Daily maintenance

To ensure that you get many years of reliable service out of your ENA and to guarantee the optimum coffee quality, the machine requires daily maintenance.

- ▶ Remove the drip tray.
- ▶ Empty the coffee grounds container and drip tray and rinse with warm water.
- ▶ Reinsert the coffee grounds container and the drip tray.

- ▶ Rinse the water tank with clean water.
- ▶ Dismantle and rinse the dual spout (see Chapter 5 'Maintenance – Dismantling and rinsing the dual spout').
- ▶ Wipe the surface of the machine with a clean, soft, damp cloth (e.g. microfiber cloth).

Switching off the machine

When the ENA is switched off, the system is automatically rinsed if a specialty coffee has been prepared. If cappuccino or latte macchiato has been prepared, the cappuccino rinse also takes place.

- ▶ Place a receptacle under the dual spout.
- ▶ Press the On/Off button.
RINSING, CAPPUCCINO RINSING, the system rinses itself, stopping automatically. The ENA is switched off.

i When the ENA is switched off with the On/Off button, the machine does **not consume standby energy**.

4 Permanent settings in programming mode

Products

In the program item **PRODUCT** you can make individual settings for all specialty coffees and milk specialties.

⚠ WARNING

Hot coffee, hot steam and hot water can cause scalding. Scalding is a serious burn.

- ▶ Use extreme care when handling hot liquid or steam.
- ▶ Allow liquid to cool down before drinking.
- ▶ In the event of scalding, rinse affected area with cold water and seek medical attention.
- ▶ Keep children AWAY.

You can make the following permanent settings for the **specialty coffees**:

- Amount of water: 0.5 OZ – 3.0 OZ (25 ml – 240ml) (per cup)
- Coffee strength (for 1 coffee): MILD, NORMAL, STRONG
- Temperature: NORMAL, HIGH (approx. 176–205 °F (80–96 °C))

You can make the following permanent settings for **latte macchiato and cappuccino**:

- Amount of milk foam: 3 SEC – 120 SEC
- Interval: 0 SEC – 60 SEC
- Coffee strength: MILD, NORMAL, STRONG
- Amount of water: 0.5 OZ – 3.0 OZ (25 ml – 240ml)
- Temperature: NORMAL, HIGH (approx. 176–205 °F (80–96 °C))

Permanent settings in programming mode always follow the same model.

Example: Permanently change the coffee strength (FLAVOUR) for 1 coffee from NORMAL to STRONG.

Precondition: READY is displayed.

- ▶ Press **and hold** the Rotary Switch until RINSE appears.
- ▶ Turn the Rotary Switch until PRODUCT is displayed.
- ▶ Press the Rotary Switch to enter the program item.
SELECT BUTTON

i Next select the button of the product for which you would like to make settings. No product is prepared at this point.

i To change the setting for a double product, press the corresponding button twice within two seconds.

- ▶ Press the Coffee button.
1 COFFEE WATER
- ▶ Turn the Rotary Switch until FLAVOUR is displayed.

4 Permanent settings in programming mode

- ▶ Press the Rotary Switch to enter the program item.
NORMAL
- ▶ Turn the Rotary Switch until STRONG is displayed.
- ▶ Press the Rotary Switch to confirm the setting.
OK, the coffee strength is set.
FLAVOUR
- ▶ Turn the Rotary Switch until EXIT is displayed.
- ▶ Press the Rotary Switch to exit the program item.
PRODUCT
- ▶ Turn the Rotary Switch until EXIT is displayed.
- ▶ Press the Rotary Switch to exit programming mode.
READY

Energy-saving mode

The ENA can be permanently set to an energy-saving mode (Energy Save Mode, E.S.M.®):

- ENERGY —
 - The ENA is constantly ready for use.
 - All specialty coffees as well as hot water can be prepared without having to wait.
- ENERGY ¶
 - Soon after the last preparation, the ENA stops heating up. As soon as the energy-saving temperature is reached, this is indicated in the display by the message ENERGY ON – this may last several minutes. The machine must heat back up before the next preparation.
 - Before coffee and hot water preparation, the machine heats up.

Example: Change the energy-saving mode from ENERGY — to ENERGY ¶.

Precondition: READY is displayed.

- ▶ Press **and hold** the Rotary Switch until RINSE appears.

- ▶ Turn the Rotary Switch until ENERGY — is displayed.
- ▶ Press the Rotary Switch to enter the program item.
ECONOMY —
- ▶ Turn the Rotary Switch until ENERGY ¶ is displayed.
- ▶ Press the Rotary Switch to confirm the setting.
OK, the energy-saving mode is set.
ENERGY ¶
- ▶ Turn the Rotary Switch until EXIT is displayed.
- ▶ Press the Rotary Switch to exit programming mode.
READY

Automatic switch-off

By instructing your ENA to automatically switch itself off, you can cut down your energy consumption. If this function is activated, your ENA switches off automatically after the preset time following the last action on the machine.

The automatic switch-off can be set to between 15 minutes and 9 hours.

Example: Change the automatic switch-off time from 2 HRS to 1 HRS.

Precondition: READY is displayed.

- ▶ Press **and hold** the Rotary Switch until RINSE appears.
- ▶ Turn the Rotary Switch until OFF AFTER is displayed.
- ▶ Press the Rotary Switch to enter the program item.
2 HRS
- ▶ Turn the Rotary Switch until 1 HRS is displayed.
- ▶ Press the Rotary Switch to confirm the setting.
OK, the automatic switch-off time is set.
OFF AFTER

- ⌚ ▶ Turn the Rotary Switch until EXIT is displayed.
- ⌚ ▶ Press the Rotary Switch to exit programming mode.
READY

Rinses

In the program item RINSES you can make the following settings:

- INIT RINSE MANUAL
 - The switch-on rinse must be started manually.
- INIT RINSE AUTOMATIC
 - The switch-on rinse is started automatically.
- C-RINSE AFTER 10'
 - You are prompted to perform a cappuccino rinse 10 minutes after preparation of a specialty coffee with milk.
- C-RINSE NOW
 - You are prompted to perform a cappuccino rinse immediately after preparation of a specialty coffee with milk.

Example: Change the setting such that the cappuccino rinse is performed **immediately** after preparation of a specialty coffee with milk.

Precondition: READY is displayed.

- ⌚ ▶ Press **and hold** the Rotary Switch until RINSE appears.
- ⌚ ▶ Turn the Rotary Switch until RINSES is displayed.
- ⌚ ▶ Press the Rotary Switch to enter the program item.
INIT RINSE
- ⌚ ▶ Turn the Rotary Switch until C-RINSE is displayed.
- ⌚ ▶ Press the Rotary Switch to enter the program item.
AFTER 10'
- ⌚ ▶ Turn the Rotary Switch until NOW is displayed.
- ⌚ ▶ Press the Rotary Switch to confirm the setting.
OK
C-RINSE

- ⌚ ▶ Turn the Rotary Switch until EXIT is displayed.
- ▶ Press the Rotary Switch to exit the program item.
RINSES
- ⌚ ▶ Turn the Rotary Switch until EXIT is displayed.
- ⌚ ▶ Press the Rotary Switch to exit programming mode.
READY

Unit for amount of water

The water volume is given as standard in OZ. You can change this setting to ML in programming mode.

Example: Change the unit for the amount of water from OZ to ML.

Precondition: READY is displayed.

- ⌚ ▶ Press **and hold** the Rotary Switch until RINSE appears.
- ⌚ ▶ Turn the Rotary Switch until DISPLAY is displayed.
- ⌚ ▶ Press the Rotary Switch to enter the program item.
OZ
- ⌚ ▶ Turn the Rotary Switch until ML is displayed.
- ⌚ ▶ Press the Rotary Switch to confirm the setting.
OK, the unit for the amount of water is set.
DISPLAY
- ⌚ ▶ Turn the Rotary Switch until EXIT is displayed.
- ⌚ ▶ Press the Rotary Switch to exit programming mode.
READY

Language

In this program item you can set the language used by your ENA.

5 Maintenance

Example: Change the language from ENGLISH to DEUTSCH.

Precondition: READY is displayed.

- ▶ Press **and hold** the Rotary Switch until RINSE appears.
- ▶ Turn the Rotary Switch until LANGUAGE is displayed.
- ▶ Press the Rotary Switch to enter the program item.
ENGLISH
- ▶ Turn the Rotary Switch until DEUTSCH is displayed.
- ▶ Press the Rotary Switch to confirm the setting.
OK, the language is set.
SPRACHE
- ▶ Turn the Rotary Switch until EXIT is displayed.
- ▶ Press the Rotary Switch to exit programming mode.
BEREIT

5 Maintenance

⚠ WARNING

Use of maintenance products that are harmful to health and discharge of liquids during maintenance program. Harmful if swallowed. Irritating to eyes and skin.

- ▶ Keep children AWAY.
- ▶ Keep children away from the machine while it is performing a maintenance program.
- ▶ Avoid contact with skin and eyes.
- ▶ Avoid generation of dust. Do not inhale dust.
- ▶ When using do not eat or drink.
- ▶ Keep maintenance products away from food, drink and animal food.
- ▶ Keep container tightly closed and dry. Keep in a cool place.

Your ENA has the following integrated maintenance programs:

- Cappuccino frother cleaning (C-CLEAN)
- Rinsing the machine (RINSE)
- Cappuccino rinse (C-RINSE)
- Cleaning the machine (CLEAN)
- Changing the filter (FILTER)
- Descaling the machine (DE-SCALE)

Rinsing the machine

You can initiate the rinse operation manually at any time.

Precondition: READY is displayed.

- ▶ Place a receptacle under the dual spout.
- ▶ Press **and hold** the Rotary Switch until RINSE appears.
- ▶ Press the Rotary Switch to enter the program item.
C-CLEAN
- ▶ Turn the Rotary Switch until RINSE is displayed.
- ▶ Press the Rotary Switch to initiate the rinse operation.
RINSING, the system rinses itself, stopping automatically.
READY

Rinsing the milk system

After each milk preparation, the ENA prompts you to perform a cappuccino rinse.

Precondition: CAPPUCCINO RINSE is displayed.

- ▶ Place a receptacle under the dual spout.



- ▶ Press the Rotary Switch to start the cappuccino rinse.
CAPPUCCINO RINSING, the milk system is rinsed.
The rinse stops automatically and READY appears on the display.

Cleaning the milk system

The dual spout should be cleaned **daily** if milk has been prepared to make sure it functions perfectly. Your ENA will **not** prompt you to clean the dual spout.

⚠ WARNING

Non-recommended cleaning agents will not optimally remove milk residues. This may cause the cappuccino frother to become blocked and fly off the machine. Discharge of hot steam.

- ▶ Use only original JURA Cappuccino Cleaner.

⚠ WARNING

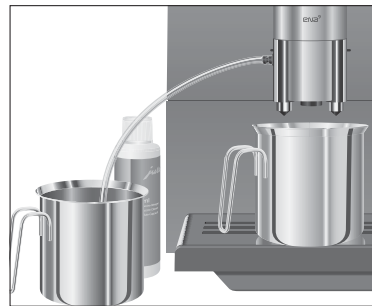
Harmful and irritating cleaning agent. Harmful if swallowed. Irritating to eyes and skin.

- ▶ Keep children AWAY.
- ▶ Avoid contact with skin and eyes.
- ▶ After contact with skin, wash immediately with plenty of water. In case of skin irritation, seek medical advice.
- ▶ After eye contact, immediately flush eyes with plenty of water and seek medical advice.
- ▶ If swallowed, rinse mouth immediately and drink large quantities of water. Do not induce vomiting. Seek medical advice immediately and show label.

i JURA Cappuccino Cleaner is available from specialized dealers.

- ▶ Press **and hold** the Rotary Switch until RINSE appears.
- ▶ Press the Rotary Switch to enter the program item.
C-CLEAN

- ▶ Press the Rotary Switch to start cappuccino frother cleaning.
CLEANER FOR CAPPUCCINO.
- ▶ Remove the milk pipe from the receptacle with milk.
- ▶ Pour 8.5 oz (250 ml) of fresh water into a receptacle and add one capful (max. 0.5 oz or 15 ml) of Cappuccino Cleaner.
- ▶ Immerse the milk pipe in the receptacle.
- ▶ Place another receptacle under the dual spout.



- ▶ Press the Rotary Switch.
CLEANING, the milk system and the pipe are cleaned.
The operation is interrupted, WATER FOR CAPPUCCINO.
- ▶ Rinse the receptacle thoroughly, fill it with 8.5 oz (250 ml) of fresh water and immerse the milk pipe in it.
- ▶ Empty the receptacle under the dual spout and place it back underneath.
- ▶ Press the Rotary Switch.
CLEANING, the milk system and the pipe are rinsed with fresh water.
The operation stops automatically.
READY

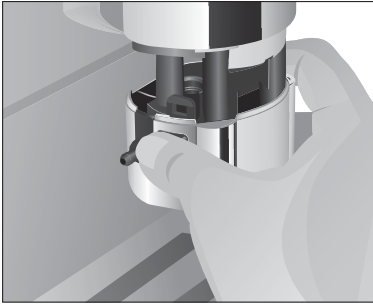
Dismantling and rinsing the dual spout

The dual spout should be dismantled and rinsed **daily** if milk has been prepared to make sure it functions perfectly. Your ENA will not prompt you to clean the dual spout.

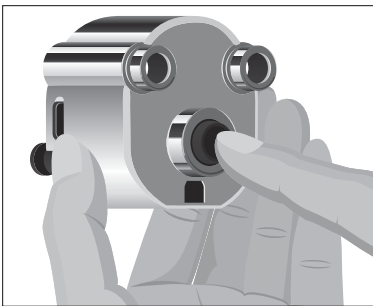
- ▶ Remove the milk pipe and rinse thoroughly under running water.

5 Maintenance

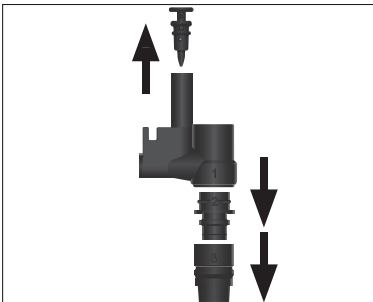
- ▶ Press the releasing devices and pull the dual spout down and off.



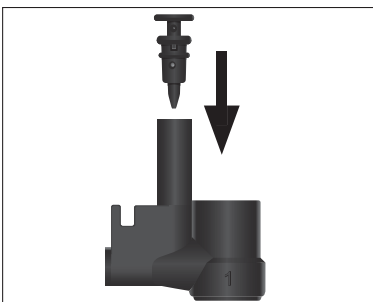
- ▶ Push the milk system down and remove it.



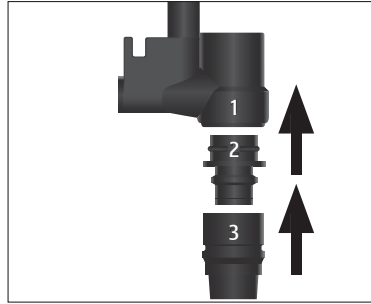
- ▶ Dismantle the milk system into its individual parts.



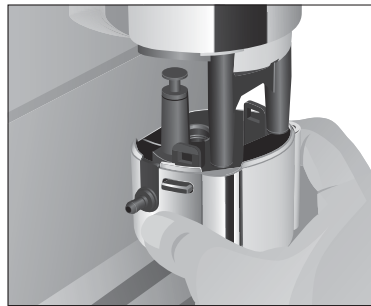
- ▶ Rinse all parts under running water. If there are severely dried on milk residues, firstly immerse the individual parts in JURA Cappuccino Cleaner and then clean them thoroughly.
- ▶ Fit the air intake pipe.



- ▶ Reassemble the milk system, noting the numbering on the parts.



- ▶ Insert the assembled individual parts into the dual spout and press them together.
- ▶ Fit the dual spout on the machine. It will click into place audibly.



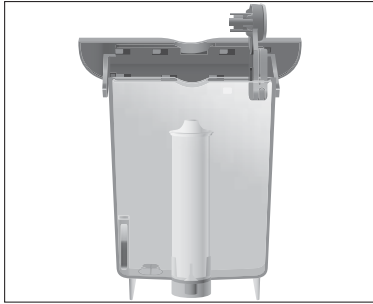
Changing the filter

- i** After 2000 oz (60 liters) of water have flowed through, the filter will cease to work. Your ENA will automatically prompt you to change the filter.
- i** After two months, the filter will cease to work. You can check the elapsed time by referring to the date plate on the filter holder in the water tank.
- i** If the CLEARYL Blue filter cartridge is not activated in programming mode, you will not be prompted to change the filter.

Precondition: FILTER / READY is displayed.

- ▶ Open the cover behind the Rotary Switch.
- ▶ Press the Maintenance button.
INSERT FILTER
- ▶ Remove and empty the water tank.
- ▶ Open the filter holder and remove the old filter cartridge.

- ▶ Insert a new filter cartridge into the water tank, exerting slight pressure.



- ▶ Close the filter holder. It will click into place audibly.
 - ▶ Fill the water tank with fresh, cold water and reinsert it.
 - ▶ Place a receptacle (at least 17 oz or 500 ml) under the hot-water nozzle.
 - ▶ Press the Rotary Switch.
OPEN TAP
 - ▶ Turn the switch anticlockwise to position . FILTER RINSING, water flows out of the hot-water nozzle.
- i** You can interrupt rinsing of the filter at any time. To do this, turn the switch clockwise. Turn the switch anticlockwise to continue rinsing the filter.
- i** The water may be slightly discolored. This is not harmful to health and does not affect the taste.

Rinsing of the filter stops automatically,
CLOSE TAP.

- ▶ Turn the switch clockwise to position .
HEATING
READY

Cleaning the machine

After 180 preparations or 80 switch-on rinses, the ENA will prompt you to clean it.

WARNING

Non-recommended (e.g. liquid) cleaning agents may contain substances that could damage the machine or leave residues.

- ▶ Use only original JURA cleaning tablets. These are specially formulated for your machine.

WARNING

Harmful and irritating cleaning agent. Harmful if swallowed. Irritating to eyes and skin.

- ▶ Keep children AWAY.
- ▶ Avoid contact with skin and eyes.
- ▶ Avoid generation of dust. Do not inhale dust.
- ▶ After contact with skin, wash immediately with plenty of water. In case of skin irritation, seek medical advice.
- ▶ After eye contact, immediately flush eyes with plenty of water and seek medical advice.
- ▶ If swallowed, rinse mouth immediately and drink large quantities of water. Do not induce vomiting. Seek medical advice immediately and show label.

- i** The cleaning program lasts approximately 15 minutes.
- i** Do not interrupt the cleaning program. The quality of cleaning will be impaired if you do so.
- i** JURA cleaning tablets are available from specialized dealers.

Precondition: CLEAN / READY is displayed.

- ▶ Open the cover behind the Rotary Switch.
- ▶ Press the Maintenance button.
EMPTY TRAY
- ▶ Empty the drip tray and coffee grounds container and reinsert them.
PRESS ROTARY

en

5 Maintenance

- ▶ Place a receptacle under the dual spout.
- ▶ Press the Rotary Switch to start cleaning.
CLEANING, water flows out of the dual spout.
The operation is interrupted, ADD TABLET.
- ▶ Open the powder chute for ground coffee and drop in a JURA cleaning tablet.



- ▶ Close the powder chute for ground coffee.
PRESS ROTARY
- ▶ Press the Rotary Switch.
CLEANING, water flows out of the dual spout repeatedly.
EMPTY TRAY
- ▶ Empty the drip tray and coffee grounds container and reinsert them.
HEATING
READY

Descaling the machine

The ENA builds up deposits of limescale over time and automatically prompts you to descale it when necessary. The degree of calcification depends on the hardness of your water.

⚠ WARNING

Non-recommended descaling agents (e.g. vinegar) may contain substances that could damage the machine or leave residues.

- ▶ Use only original JURA descaling tablets. These are specially formulated for your machine.

⚠ WARNING

Harmful and irritating descaling agent. Harmful if swallowed. Irritating to eyes and skin.

- ▶ Keep children AWAY.
- ▶ Avoid contact with skin and eyes.
- ▶ Avoid generation of dust. Do not inhale dust.
- ▶ After contact with skin, wash immediately with plenty of water. In case of skin irritation, seek medical advice.
- ▶ After eye contact, immediately flush eyes with plenty of water. Remove contact lenses. Seek medical advice.
- ▶ If swallowed, rinse mouth immediately and drink large quantities of water. Do not induce vomiting. Seek medical advice immediately and show label.

NOTICE

If the descaling operation is interrupted, there may be damage to the machine.

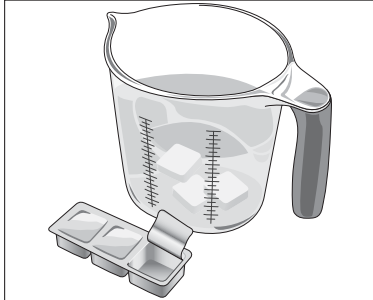
- ▶ Allow the descaling program to run to the end.

- i** The descaling program lasts approximately 40 minutes.
- i** JURA descaling tablets are available from specialized dealers.
- i** If you use a CLEARYL Blue filter cartridge and this is activated, you will not be prompted to descale.
- i** If the descaling agent comes into contact with sensitive surfaces (e.g. marble), damage cannot be ruled out. Clean up any splashes immediately.

Precondition: DE-SCALE / READY is displayed.

- ▶ Open the cover behind the Rotary Switch.
- ▶ Press the Maintenance button.
EMPTY TRAY
- ▶ Empty the drip tray and coffee grounds container and reinsert them.
AGENT IN TANK
- ▶ Remove and empty the water tank.

- ▶ Completely dissolve the contents of one blister (three JURA descaling tablets) in a receptacle holding 17 oz (500 ml) of water. This may take several minutes.



- ▶ Pour the solution into the empty water tank and reinsert the tank.
OPEN TAP
- ▶ Place one receptacle each under the hot-water nozzle and the dual spout.
- ⊖ ▶ Turn the switch anticlockwise to position . DE-SCALING, water flows out of the hot-water nozzle repeatedly.
CLOSE TAP
- ⌚ ▶ Turn the switch clockwise to position . DE-SCALING, the descaling operation is continued. Water flows out of the dual spout repeatedly.
EMPTY TRAY
- ▶ Empty the drip tray and coffee grounds container and reinsert them.
FILL WATER TANK
- ▶ Empty both receptacles and place them back under the hot-water nozzle and the dual spout.
- ▶ Remove the water tank, rinse thoroughly, fill with fresh, cold water and reinsert.
OPEN TAP
- ⊖ ▶ Turn the switch anticlockwise to position . DE-SCALING, water flows out of the hot-water nozzle. The operation is interrupted, CLOSE TAP.
- ⌚ ▶ Turn the switch clockwise to position . DE-SCALING, the descaling operation is continued. Water flows out of the dual spout repeatedly.
EMPTY TRAY

- ▶ Empty the drip tray and coffee grounds container and reinsert them.

READY

- i** If the descaling operation stops unexpectedly, rinse the water tank thoroughly.

Descaling the water tank

Limescale deposits may form in the water tank. To ensure correct function of the machine, descale the water tank from time to time.

- ▶ Remove the water tank.
- ▶ If you use a CLEARYL Blue filter cartridge, remove it.
- ▶ Descale the tank with a mild conventional descaling agent in accordance with the manufacturer's instructions.
- ▶ Rinse the water tank thoroughly.
- ▶ If you use a CLEARYL Blue filter cartridge, reinsert it.
- ▶ Fill the water tank with fresh, cold water and reinsert it.

Cleaning the bean container

Coffee beans may be covered with a slight oil film which remains on the walls of the bean container. These traces may negatively affect the coffee result. For this reason clean the bean container from time to time.

- ⏻ ▶ Press the On/Off button to switch the machine off.
- ▶ Disconnect the power supply plug.
- ▶ Remove the bean container cover.
- ▶ Remove the coffee beans with a vacuum cleaner.
- ▶ Clean the bean container with a soft, dry cloth.
- ▶ Fill the bean container with fresh coffee beans, then close the bean container cover.

en

6 Display messages

| Message | Cause/Result | Action |
|-------------------|--|--|
| FILL WATER TANK | The water tank is empty or not correctly inserted. You cannot prepare any products. | <ul style="list-style-type: none"> ▶ Fill the water tank (see Chapter 1 'Preparing and using for the first time – Filling the water tank'). ▶ Insert the water tank. |
| EMPTY GROUNDS | The coffee grounds container is full. No specialty coffees can be prepared, but hot water preparation is possible. | <ul style="list-style-type: none"> ▶ Empty the coffee grounds container and the drip tray (see Chapter 3 'Daily operation – Daily maintenance'). |
| TRAY MISSING | The drip tray is not inserted correctly or is not inserted at all. You cannot prepare any products. | <ul style="list-style-type: none"> ▶ Insert the drip tray. |
| FILL BEANS | The bean container is empty. No specialty coffees can be prepared, but hot water preparation is possible. | <ul style="list-style-type: none"> ▶ Fill the bean container (see Chapter 1 'Preparing and using for the first time – Filling the bean container'). |
| PRESS ROTARY | The ENA is prompting you to perform a rinse or continue a maintenance program that was already started. | <ul style="list-style-type: none"> ▶ Press the Rotary Switch to start the rinse or to continue the maintenance program. |
| CAPPUCCINO RINSE | The ENA requests a cappuccino rinse. | <ul style="list-style-type: none"> ▶ Press the Rotary Switch to start the cappuccino rinse. |
| READY / CLEAN | The ENA is prompting you to clean it. | <ul style="list-style-type: none"> ▶ Perform cleaning (see Chapter 5 'Maintenance – Cleaning the machine'). |
| READY / DE-SCALE | The ENA is prompting you to descale it. | <ul style="list-style-type: none"> ▶ Perform descaling (see Chapter 5 'Maintenance – Descaling the machine'). |
| READY / FILTER | After 60 liters of water have flowed through the CLEARYL Blue filter cartridge, it will cease to work. | <ul style="list-style-type: none"> ▶ Replace the CLEARYL Blue filter cartridge (see Chapter 5 'Maintenance – Changing the filter'). |
| NOT ENOUGH POWDER | There is insufficient ground coffee in the machine; the ENA stops the operation. | <ul style="list-style-type: none"> ▶ The next time you prepare a beverage, add more ground coffee (see Chapter 2 'Preparation – Ground coffee'). |
| TOO HOT | The system is too hot to start a maintenance program. | <ul style="list-style-type: none"> ▶ Wait for several minutes until the system has cooled or prepare a specialty coffee or hot water. |

7 Troubleshooting

| Problem | Cause/Result | Action |
|--|---|--|
| Insufficient foam is produced when the milk is frothed or milk sprays from the dual spout. | The dual spout is dirty. | <ul style="list-style-type: none"> ▶ Clean the dual spout (see Chapter 5 'Maintenance – Cleaning the milk system'). ▶ Dismantle and rinse the dual spout (see Chapter 5 'Maintenance – Dismantling and rinsing the dual spout'). |
| Coffee only comes out in drips when it is being prepared. | Coffee or ground coffee has been ground too finely and is blocking the system. | ▶ Set the grinder to a coarser setting or use coarser ground coffee (see Chapter 1 'Preparing and using for the first time – Adjusting the grinder'). |
| Water hardness cannot be adjusted. | The CLEARYL Blue filter cartridge is activated. | ▶ Deactivate the CLEARYL Blue filter cartridge in programming mode. |
| FILL WATER TANK is displayed although the water tank is full. | The water tank float is trapped. | ▶ Descale the water tank (see Chapter 5 'Maintenance – Descaling the water tank'). |
| Grinder is making a very loud noise. | There are foreign objects in the grinder. | Contact customer support in your country (see Chapter 11 'JURA contact details / Legal information'). |
| ERROR 2 is displayed. | If the machine was exposed to the cold for a long period of time, heating is disabled for safety reasons. | ▶ Warm the machine at room temperature. |
| Other ERROR messages are displayed. | – | ▶ Switch off the ENA with the On/Off button. Contact customer support in your country (see Chapter 11 'JURA contact details / Legal information'). |

i If you were unable to solve the problem, contact customer support in your country (see Chapter 11 'JURA contact details / Legal information').

en






8 Transport and environmentally friendly disposal

Transport / Emptying the system

Keep the packaging for your ENA. It should be used to protect the machine during transport.

In order to protect the ENA from frost during transport, the system must be emptied.

Precondition: READY is displayed.

- ▶ Place a receptacle under the hot-water nozzle.
-  ▶ Turn the switch anticlockwise to position . WATER, hot water flows out of the hot-water nozzle.
- ▶ Remove and empty the water tank. Hot water will continue to flow until the system is empty. CLOSE TAP
-  ▶ Turn the switch clockwise to position . FILL WATER TANK
-  ▶ Press the On/Off button to switch the machine off.


i The next time you use the machine the system must be refilled (see Chapter 1 'Preparing and using for the first time – First-time use').

Disposal

Please dispose old machines in an environmentally neutral way.



9 Technical data

| | |
|---|---|
| Voltage | 120 V ~, 60 Hz |
| Power | 1450 W |
| Safety test |  |
| Energy consumption ECONOMY --- | Approx. 12 Wh |
| Energy consumption ECONOMY ↓ | Approx. 3.5 Wh |
| Pump pressure | Static, max. 15 bar |
| Holding capacity of water tank (without filter) | 37.2 oz (1.1 l) |
| Holding capacity of bean container | 4.4 oz (125 g) |
| Holding capacity of coffee grounds container | Approx. 10 servings |
| Power cord length | Approx. 59 in. (Approx. 1.5 m) |
| Weight | Approx. 20.7 lb (Approx. 9.4 kg) |
| Dimensions (W × H × D) | 9.4 × 14.2 × 17.5 in. (23.8 × 36 × 44.5 cm) |

Directives

The machine complies with the following directives:

- Standard UL 1082, 5th edition + revisions dated January 30, 2006
- Canadian Standard CSA C22.2 No. 64 M1991, revised February 2003

10 Index

A

- Addresses 31
- Aroma Boost 14
- Automatic switch-off 18

B

- Bean container
 - Cleaning 25
 - Filling 10
- Bus bar
 - Technical data 28
- Button
 - Aroma Boost 9
 - Cappuccino button 9
 - Coffee button 9
 - Latte Macchiato button 9
 - Maintenance button 9
 - On/Off button 9

C

- Cappuccino 14
- Cappuccino frother cleaning
 - Cleaning the milk system 21
- Cappuccino rinse
 - Rinsing the milk system 20
- Cleaning
 - Bean container 25
 - Machine 23
- CLEARYL Blue filter cartridge
 - Changing 22
 - Inserting and activating the filter 11
- Coffee 14
- Coffee grounds container 8
- Consistency of grind
 - Adjusting the grinder 13
 - Grinding wheel 9
- Contact details 31
- Cover 9
 - Bean container 8
- Cup platform 8
- Customer support 31

D

- Degree of water hardness 12
- Descaling
 - Machine 24
 - Water tank 25
- Determining and adjusting the water hardness 12
- Display 9, 10
- Display messages 26
- Drip tray 8
- Dual spout 8
 - Dismantling and cleaning 21

E

- Emptying the system 28
- Energy-saving mode 18
- Errors
 - Troubleshooting 27

F

- Filling
 - Bean container 10
 - Water tank 10
- Filter
 - Changing 22
 - Inserting and activating the filter 11
- First-time use 10

G

- Ground coffee 15

H

- Hotline 31
- Hot water 16
- Hot-water nozzle 8
- Hot water preparation
 - Switch for hot water preparation 8

I

- Important safeguards
 - Safety 4
- Instant coffee
 - Ground coffee 15
- Internet 10

en

J

JURA

- Contact details 31
- Internet 10

L

- Language 19
- Latte macchiato 14

M

Machine

- Cleaning 23
- Descaling 24
- Rinsing 20
- Setting up 10
- Switching off 17
- Switching on 16

Maintenance

- Daily maintenance 16

Maintenance 20

Messages, display 26

P

- Permanently setting the water for the cup size 15

Permanent settings in programming mode 17

Powder chute 8

- Powder chute for ground coffee 8

Power cord 8

Preparation 14

- Aroma Boost 14
- Cappuccino 14
- Coffee 14
- Ground coffee 15
- Latte macchiato 14

Problems

- Troubleshooting 27

Programming mode 17

- Automatic switch-off 18
- Energy-saving mode 18
- Language 19
- Products 17
- Rinses 19
- Unit for amount of water 19

R

Rinses 19

Rinsing

- Machine 20

Rotary Switch 9

S

Safety

- Important safeguards 4

Settings

- Permanent settings in programming mode 17

Setting up

- Setting up the machine 10

Switch for hot water preparation 8

Switching off 17

Switching on 16

Switch-off

- Automatic switch-off 18

Symbol description 3

T

Technical data 28

Tel 31

Troubleshooting 27

U

Unit for amount of water 19

Use, First-time 10

W

Water tank

- Descaling 25

- Filling 10

Website 10

11 JURA contact details / Legal information

Headquarters

JURA Elektroapparate AG
Kaffeeweltstrasse 10
CH-4626 Niederbuchsiten
Switzerland

| | USA: JURA CAPRESSO, Inc. | Canada: FAEMA |
|---------------------|---|---|
| Customer Service | | |
| Phone | 1-800-220-5701 | 001 (416) 535-1555 |
| E-Mail | contact@jura-capresso.com | espresso@faema.net |
| Opening Hours (EST) | Mon – Thu 9 am – 9 pm, Fri 9 am – 8 pm, Sat 9 am – 5 pm | |
| Distributor Address | 81 Ruckman Road, Closter, NJ 07624 | 672 Dupont Street, Suite 201 Toronto, Ontario, M6G 1Z6 |
| Phone | 001 (201) 767-3999 | 001 (416) 535-1555 |
| Fax | 001 (201) 767-9684 | 001 (416) 535-3843 |
| Internet | www.jura-capresso.com | www.faema-canada.jura.com |

@ You will find additional contact details for your country at www.jura.com.

Technical changes

We reserve the right to make technical changes. The diagrams used in these instructions for use are for illustration purposes only and do not represent the original colours of the machine. Some details of your ENA may vary.

Feedback

Your opinion is important to us! Use the contact link at www.jura.com.

Copyright

The instructions for use contain information which is protected by copyright. It is not permitted to photocopy these instructions for use or translate them into another language without the prior written consent of JURA Elektroapparate AG.

en

