

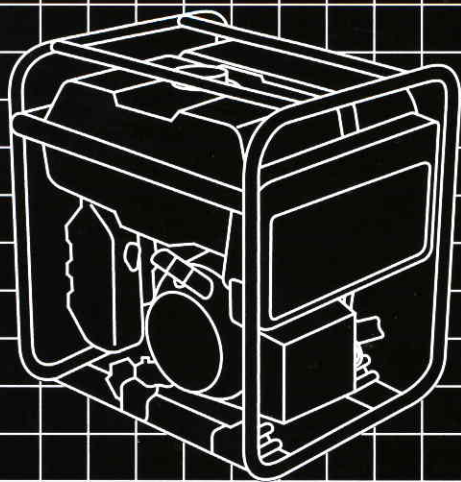
**HONDA**

**Power**

**Equipment**

# Owner's Manual

## EB3000c





## **WARNING:**



The engine exhaust from this product contains chemicals known to the State of California to cause cancer, birth defects or other reproductive harm.

### **▲WARNING**

**The generator is a potential source of electrical shock if misused. Do not expose the generator to moisture, rain or snow. Do not let the generator get wet, and do not operate it with wet hands.**

Keep this owner's manual handy, so you can refer to it at any time. This owner's manual is considered a permanent part of the generator and should remain with the generator if resold.

The information and specifications included in this publication were in effect at the time of approval for printing. Honda Motor Co., Ltd. reserves the right, however, to discontinue or change specifications or design at any time without notice and without incurring any obligation whatever. No part of this publication may be reproduced without written permission.

---

Congratulations on your selection of a Honda generator. We are certain you will be pleased with your purchase of one of the finest generators on the market.

We want to help you get the best results from your new generator and to operate it safely. This manual contains the information on how to do that; please read it carefully.

As you read this manual, you will find information preceded by a **NOTICE** symbol. That information is intended to help you avoid damage to your generator, other property, or the environment.

We suggest you read the warranty policy to fully understand its coverage and your responsibilities of ownership. The warranty policy is a separate document that should have been given to you by your dealer.

When your generator needs scheduled maintenance, keep in mind that your Honda servicing dealer is specially trained in servicing Honda generators. Your authorized Honda servicing dealer is dedicated to your satisfaction and will be pleased to answer your questions and concerns.

Best Wishes,  
Honda Motor Co., Ltd.

---


## A FEW WORDS ABOUT SAFETY

Your safety and the safety of others are very important. And using this generator safely is an important responsibility.

To help you make informed decisions about safety, we have provided operating procedures and other information on labels and in this manual. This information alerts you to potential hazards that could hurt you or others.

Of course, it is not practical or possible to warn you about all the hazards associated with operating or maintaining a generator. You must use your own good judgment.

You will find important safety information in a variety of forms, including:

- **Safety Labels** — on the generator.
- **Safety Messages** — preceded by a safety alert symbol  and one of three signal words, DANGER, WARNING, or CAUTION.

These signal words mean:

 **DANGER**

You **WILL** be **KILLED** or **SERIOUSLY HURT** if you don't follow instructions.

 **WARNING**

You **CAN** be **KILLED** or **SERIOUSLY HURT** if you don't follow instructions.

 **CAUTION**

You **CAN** be **HURT** if you don't follow instructions.

- **Safety Headings** — such as *IMPORTANT SAFETY INFORMATION*.
- **Safety Section** — such as *GENERATOR SAFETY*.
- **Instructions** — how to use this generator correctly and safely.

This entire book is filled with important safety information — please read it carefully.

SAFETY .....	5
Safety Label Locations .....	5
Safety Information .....	6
COMPONENT IDENTIFICATION .....	8
CONTROLS .....	10
Engine Switch .....	10
Recoil Starter .....	10
Fuel Valve .....	11
Choke Rod .....	11
AC Circuit Breaker .....	12
AC Circuit Protector .....	13
Output Indicator Light .....	14
Ground Terminal .....	15
Oil Alert® System .....	16
Ground Fault Circuit Interrupter (GFCI) Receptacle .....	17
GENERATOR USE .....	20
Connections to a Building Electrical System .....	20
Ground System .....	20
Special Requirements .....	20
AC Applications .....	21
AC Operation .....	22
High Altitude Operation .....	23
PRE-OPERATION CHECK .....	24
Engine Oil .....	24
Refueling .....	25
Fuel Recommendations .....	26
STARTING THE ENGINE .....	28
STOPPING THE ENGINE .....	29
MAINTENANCE .....	30
The Importance of Maintenance .....	30
Maintenance Safety .....	31
Emission Control System Information .....	32
Maintenance Schedule .....	34
Engine Oil Change .....	35
Air Cleaner Service .....	36
Spark Plug Service .....	37
Fuel Sediment Cup Cleaning .....	39
Spark Arrester Maintenance .....	40
TRANSPORTING/STORAGE .....	41
Transporting .....	41
Storage .....	42
TROUBLESHOOTING .....	44
WIRING DIAGRAM .....	46

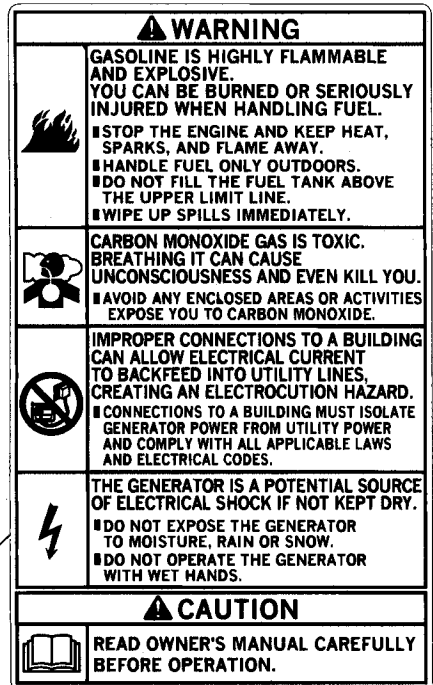
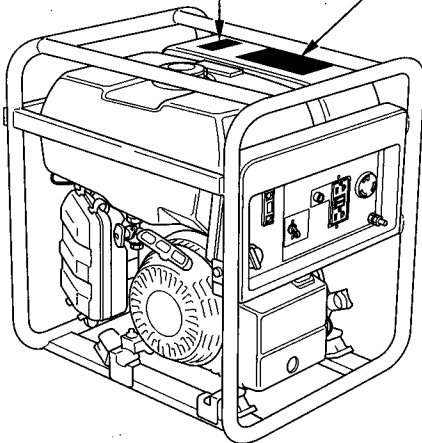
---

SPECIFICATIONS .....	47
WARRANTY SERVICE INFORMATION .....	48
INDEX .....	49

## SAFETY LABEL LOCATIONS

These labels warn you of potential hazards that can cause serious injury. Read them carefully.

If a label comes off or becomes hard to read, contact your Honda Generator dealer for a replacement.



---

## **SAFETY INFORMATION**

Honda generators are designed to give safe and dependable service if operated according to instructions. Read and understand this owner's manual before operating your generator. You can help prevent accidents by being familiar with your generator's controls, and by observing safe operating procedures.

### **Operator Responsibility**

- Know how to stop the generator quickly in case of emergency.
- Understand the use of all generator controls, output receptacles, and connections.
- Be sure that anyone who operates the generator receives proper instruction. Do not let children operate the generator without parental supervision.

### **Carbon Monoxide Hazards**

- Exhaust contains poisonous carbon monoxide, a colorless and odorless gas. Breathing exhaust can cause loss of consciousness and may lead to death.
- If you run the generator in an area that is confined, or even partially enclosed, the air you breathe could contain a dangerous amount of exhaust gas. To keep exhaust gas from accumulating, provide adequate ventilation.



---

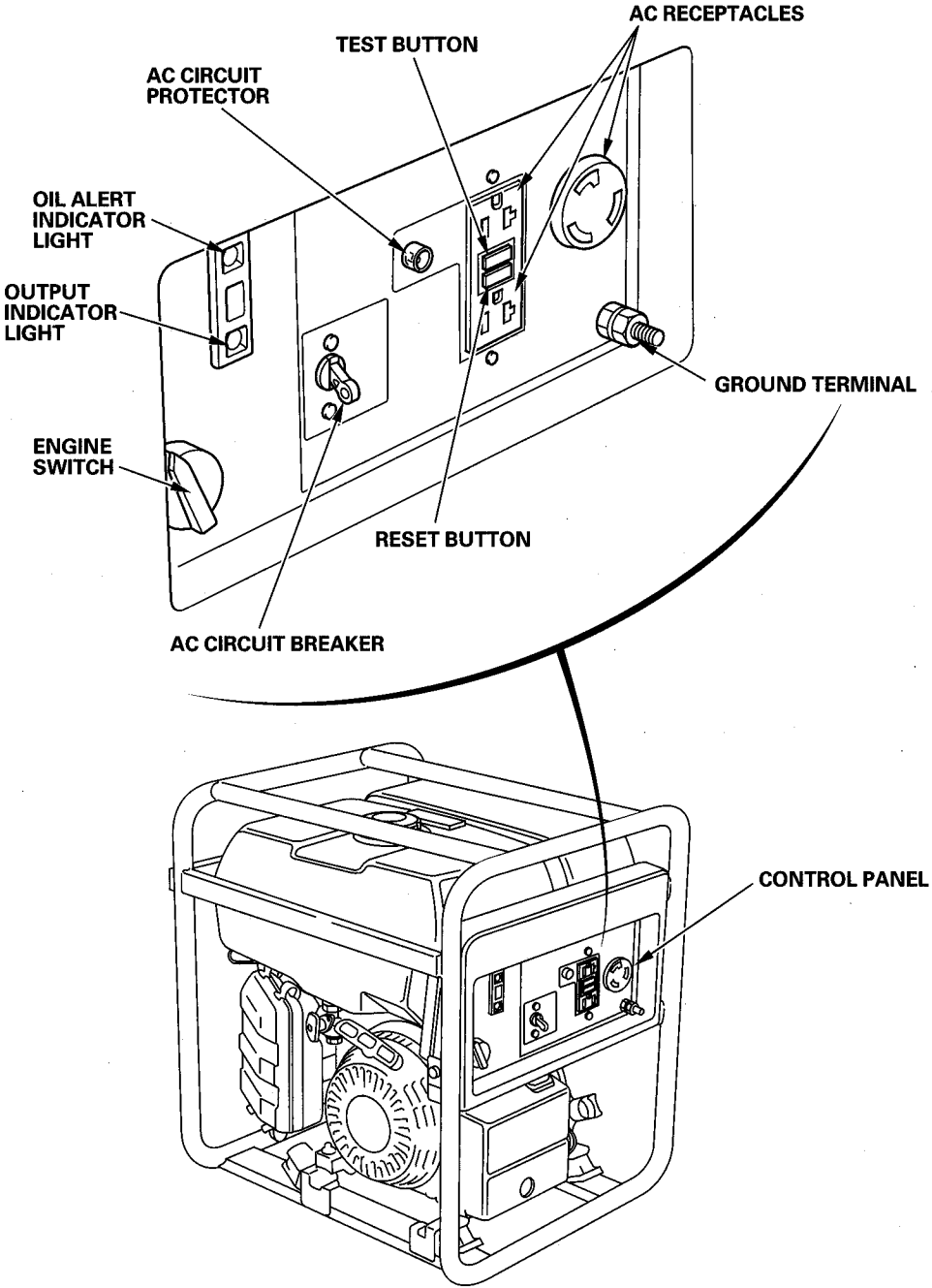
## **Electric Shock Hazards**

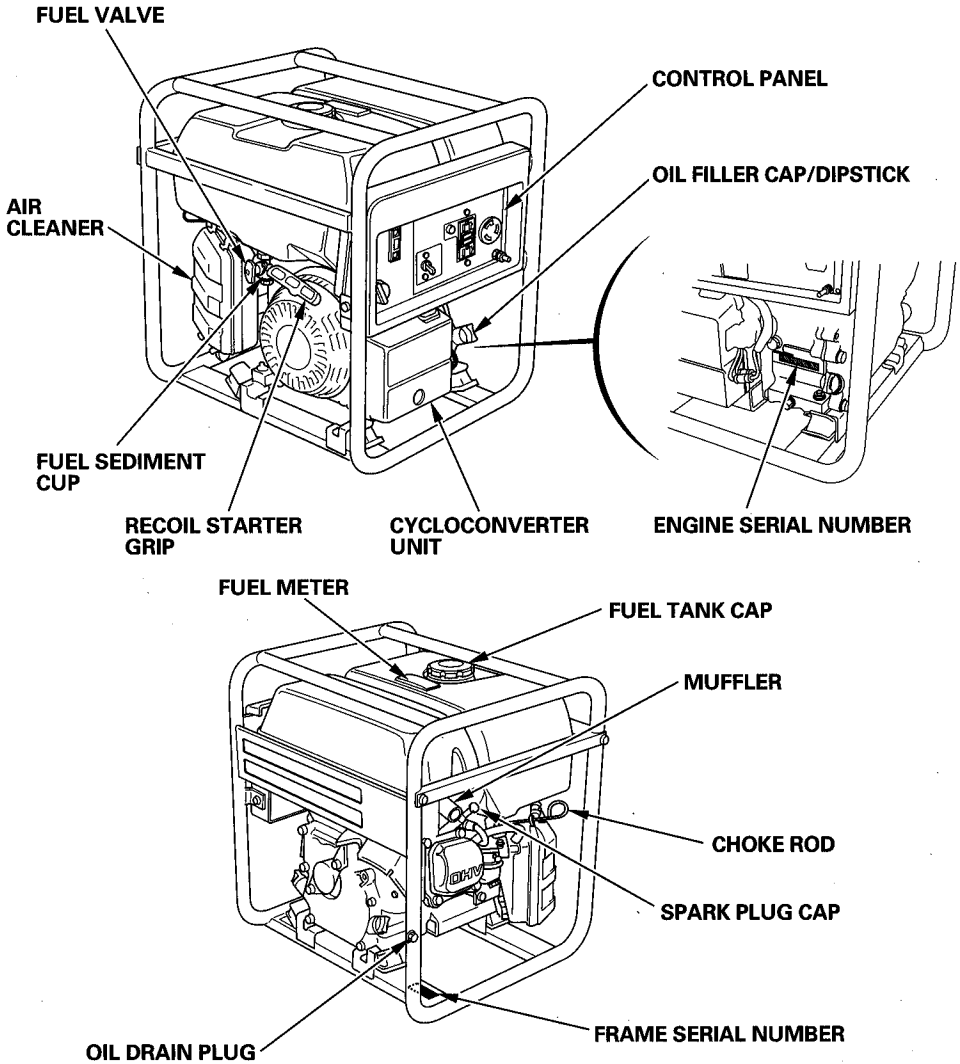
- The generator produces enough electric power to cause a serious shock or electrocution if misused.
- Using a generator or electrical appliance in wet conditions, such as rain or snow, or near a pool or sprinkler system, or when your hands are wet, could result in electrocution. Keep the generator dry.
- If the generator is stored outdoors, unprotected from the weather, check the Ground Fault Circuit Interrupter (GFCI) receptacle, and all other electrical components on the control panel, before each use. Moisture or ice can cause a malfunction or short circuit in electrical components which could result in electrocution.
- Do not connect to a building's electrical system unless an isolation switch has been installed by a qualified electrician.
- Do not connect to swimming pool equipment installed before adoption of the 1965 national electric code.

## **Fire and Burn Hazards**

- The exhaust system gets hot enough to ignite some materials.
  - Keep the generator at least 3 feet (1 meter ) away from buildings and other equipment during operation.
  - Do not enclose the generator in any structure.
  - Keep flammable materials away from the generator.
- The muffler becomes very hot during operation and remains hot for a while after stopping the engine. Be careful not to touch the muffler while it is hot. Let the engine cool before storing the generator indoors.
- Gasoline is extremely flammable and is explosive under certain conditions. Do not smoke or allow flames or sparks where the generator is refueled or where gasoline is stored. Refuel in a well-ventilated area with the engine stopped.
- Fuel vapors are extremely flammable and may ignite after the engine has started. Make sure that any spilled fuel has been wiped up before starting the generator.

# COMPONENT IDENTIFICATION





\*Record the engine and frame serial numbers for your future reference. Refer to these serial numbers when ordering parts, and when making technical or warranty inquiries (see page 48 ).

Frame serial number: \_\_\_\_\_

Engine serial number: \_\_\_\_\_

# CONTROLS

---

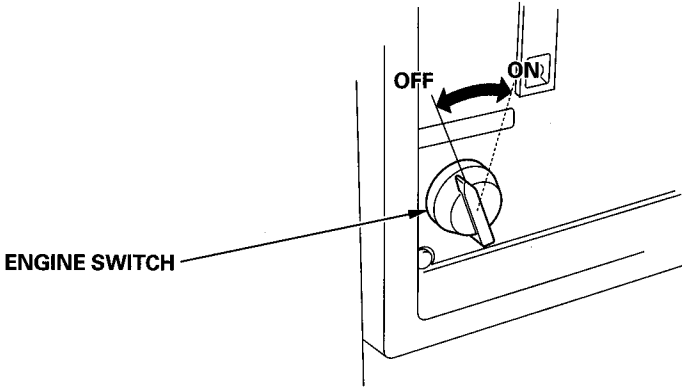
## ENGINE SWITCH

To start and stop the engine.

### Switch position:

**OFF:** To stop the engine.

**ON:** To start and run the engine.

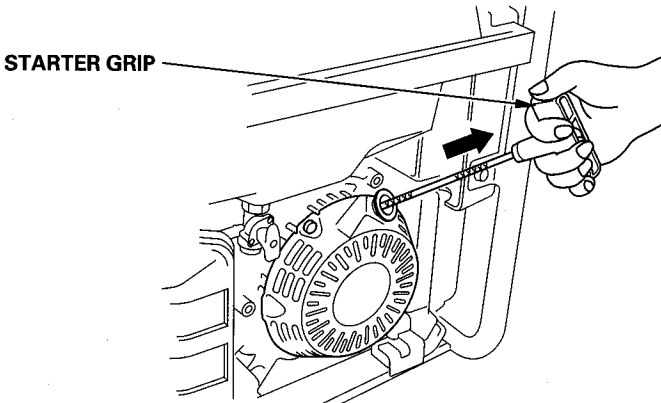


## RECOIL STARTER

To start the engine, pull the starter grip lightly until resistance is felt, then pull briskly.

### NOTICE

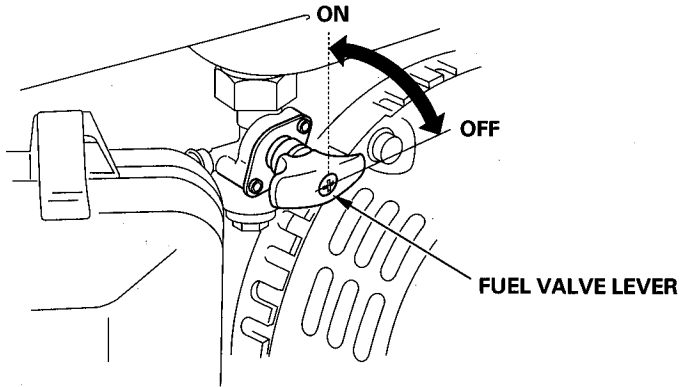
**Do not allow the starter grip to snap back against the engine. Return it gently to prevent damage to the starter.**



---

## FUEL VALVE

The fuel valve is located between the fuel tank and carburetor. When the valve lever is in the ON position, fuel is allowed to flow from the fuel tank to the carburetor. Be sure to return the fuel valve lever to the OFF position after stopping the engine.

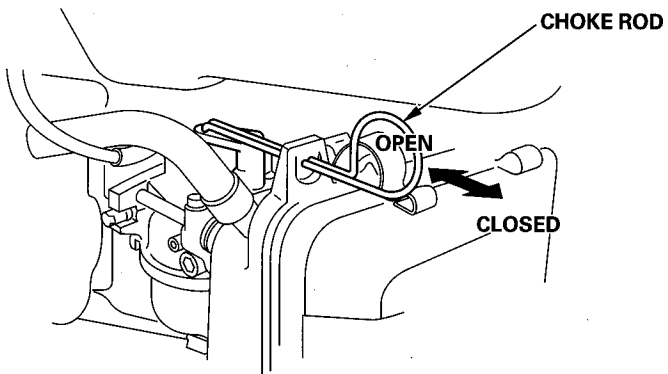


## CHOKE ROD

The choke rod opens and closes the choke valve in the carburetor.

Pulling the choke rod to the CLOSED position enriches the fuel mixture for starting a cold engine.

Pushing the choke rod to the OPEN position provides the correct fuel mixture for operation after starting, and for restarting a warm engine.

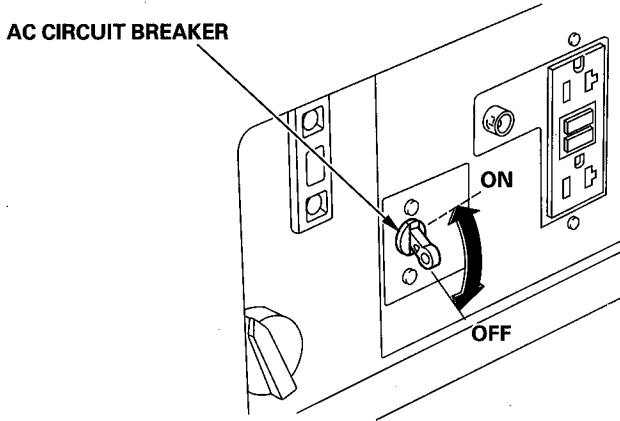


---

## AC CIRCUIT BREAKER

The AC circuit breaker will automatically switch OFF if there is a short circuit or an overload of the generator at the AC receptacle. If the AC circuit breaker is switched OFF automatically, check that the appliance is working properly and does not exceed the rated load capacity of the AC circuit before switching the AC circuit breaker ON again.

The AC circuit breaker may be used to switch the generator AC power ON or OFF.



---

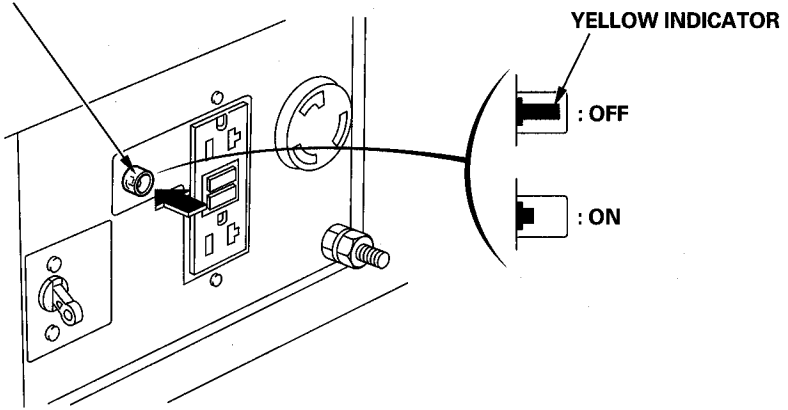
## AC CIRCUIT PROTECTOR

The AC circuit protector will automatically shut off the AC output power if there is a short circuit or an overload of the generator at the generator receptacle.

The yellow indicator inside the clear circuit protector button will pop out to show that the circuit protector has switched off. Wait a few minutes and push the button in to reset the circuit protector, and then restart the engine.

If the circuit protector is switched off, check that the appliance is working properly and does not exceed the rated load capacity of the circuit before switching the circuit protector ON again.

AC CIRCUIT PROTECTOR



---

## OUTPUT INDICATOR LIGHT

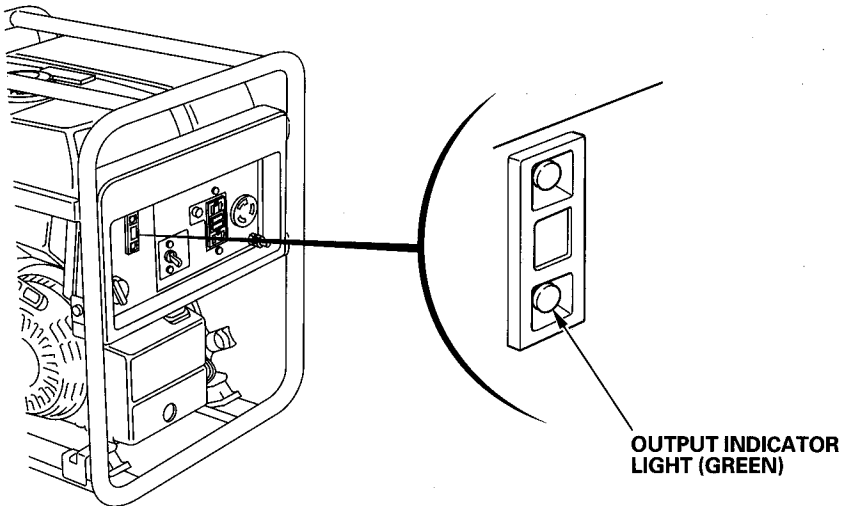
The output indicator light (green) will remain ON during normal operating conditions.

If there is a short circuit in a connected appliance or if the cycloconverter unit overheats, the output indicator light (green) blinks and current to the connected appliance(s) will shut off. When this happens, disconnect the appliance(s) and stop the engine to investigate the problem.

Determine if the cause is a short circuit in a connected appliance or an overheated cycloconverter unit. Correct the problem and restart the engine.

If the output indicator light (green) blinks again, consult your Honda generator dealer.

The output indicator light (green) may blink at intervals of 2.5 seconds depending on connected appliance(s) to the AC receptacles. It indicates that the output voltage has dropped slightly. It does not matter as long as the connected appliances work properly.



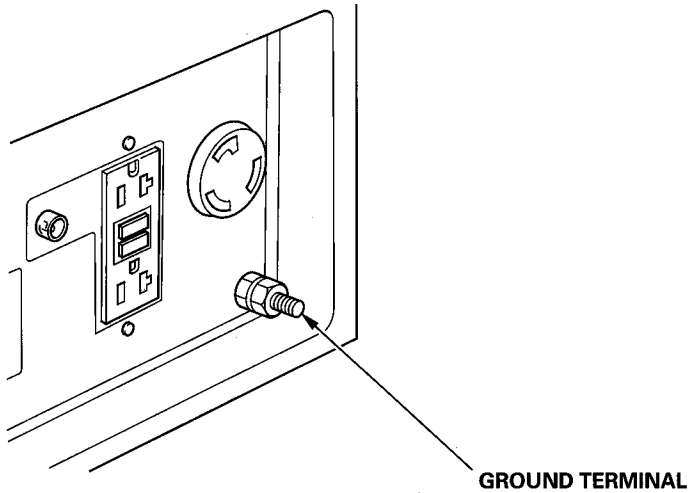


---

## GROUND TERMINAL

The generator ground terminal is connected to the frame of the generator, the metal non-current-carrying parts of the generator, and the ground terminals of each receptacle.

Before using the ground terminal, consult a qualified electrician, electrical inspector or local agency having jurisdiction for local codes or ordinances that apply to the intended use of the generator.

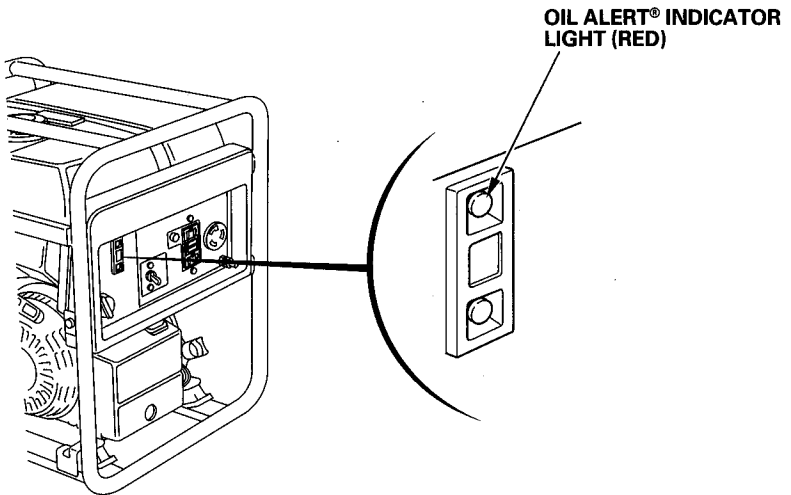


---

## OIL ALERT® SYSTEM

The Oil Alert® system is designed to prevent engine damage caused by an insufficient amount of oil in the crankcase. Before the oil level in the crankcase can fall below a safe limit, the Oil Alert® indicator light comes on and the Oil Alert® system will automatically stop the engine (the engine switch will remain in the ON position).

If the engine stops or the Oil Alert® indicator light comes on when you pull the starter grip, check the engine oil level (see page 24) before troubleshooting in other areas.



---

## Ground Fault Circuit Interrupter (GFCI) Receptacle

The 20-ampere, 120-volt duplex receptacle that has TEST and RESET buttons is protected by a Ground Fault Circuit Interrupter (GFCI) for protection against the hazards of ground fault currents. An example of ground fault current is the current which would flow through a person who is using an appliance with faulty insulation and, at the same time, is in contact with an electrical ground such as a plumbing fixture, wet floor, or earth.

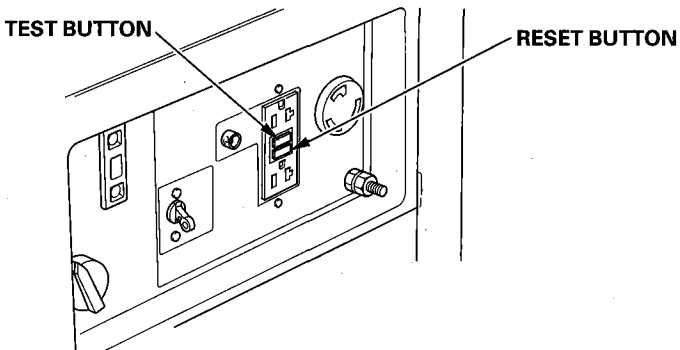
The ground fault circuit interrupter will not protect against short circuits or overloads. The circuit breaker in the control panel which supplies power to the circuit provides that protection (refer to circuit breaker on page 12 ).

The ground fault circuit interrupter can be identified by the TEST and RESET buttons. The duplex receptacle on the GFCI can be tested with the TEST and RESET buttons.

**TEST BUTTON:** To test, depress the "TEST" button (see page 18).

**RESET BUTTON:** To restore power, depress the "RESET" button (see page 19).

Perform this test monthly to ensure proper operation of the GFCI. If the generator is stored outdoors, unprotected from the weather, test the GFCI receptacle before each use. Record your test on the GFCI test card provided on the fuel tank.



---

## INSPECTION

Perform the tests below to ensure proper operation of the GFCI. Record your test on the GFCI test card provided on the generator.

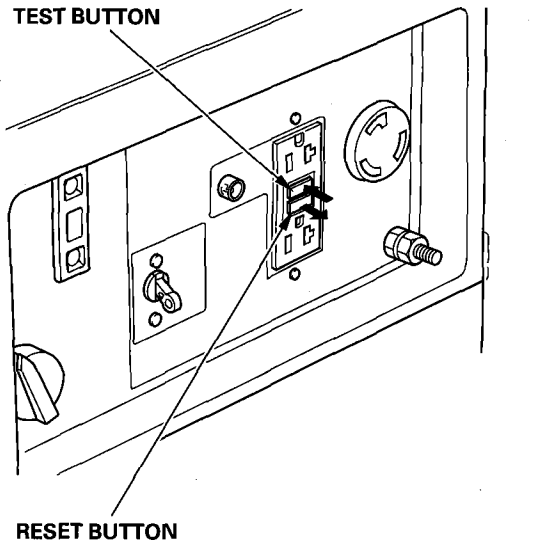
### Before each use:

If the generator is stored outdoors, unprotected from the weather, test the GFCI receptacle before each use as described in the monthly inspection.

### Monthly:

Under normal operating conditions, perform the GFCI test monthly.

1. Unplug all appliances from the generator.
2. Start the engine.
3. Turn the circuit breaker ON.
4. Press the TEST BUTTON
  - The RESET BUTTON should extend with a click.
  - If the RESET BUTTON does not extend, contact an authorized Honda generator dealer.



5. Press the RESET BUTTON

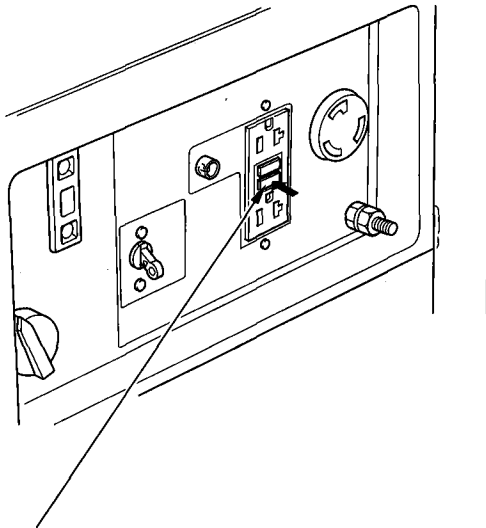
- The RESET BUTTON should be flush with the base.
- If the RESET BUTTON is not flush with the TEST BUTTON, contact an authorized Honda generator dealer.

6. When the RESET BUTTON extends during operation:

- Unplug all appliances from the GFCI protected receptacle.
- Press the RESET BUTTON:

**IF THE GFCI CANNOT BE RESET:** The GFCI is faulty. Contact an authorized Honda generator dealer.

**IF THE GFCI RESETS PROPERLY:** Check the appliance or the power cord.



**RESET BUTTON**

# GENERATOR USE

---

## CONNECTIONS TO A BUILDING ELECTRICAL SYSTEM

Connections for standby power to a building electrical system must be made by a qualified electrician. The connection must isolate the generator power from utility power, and must comply with all applicable laws and electrical codes. A transfer switch, which isolates generator power from utility power, is available through authorized Honda generator dealers.

### **▲WARNING**

**Improper connections to a building electrical system can allow electrical current from the generator to backfeed into the utility lines. Such backfeed may electrocute utility company workers or others who contact the lines during a power outage, and the generator may explode, burn, or cause fires when utility power is restored. Consult the utility company or a qualified electrician.**

## GROUND SYSTEM

Honda portable generators have a system ground that connects generator frame components to the ground terminals in the AC output receptacles. The system ground is not connected to the AC neutral wire. If the generator is tested by a receptacle tester, it will not show the same ground circuit condition as for a home receptacle.

## SPECIAL REQUIREMENTS

There may be Federal or State Occupational Safety and Health Administration (OSHA) regulations, local codes, or ordinances that apply to the intended use of the generator. Please consult a qualified electrician, electrical inspector, or the local agency having jurisdiction.

- In some areas, generators are required to be registered with local utility companies.
- If the generator is used at a construction site, there may be additional regulations which must be observed.

---

## AC APPLICATIONS

Before connecting an appliance or power cord to the generator:

- Make sure that it is in good working order. Faulty appliances or power cords can create a potential for electrical shock.
- If an appliance begins to operate abnormally, becomes sluggish or stops suddenly, turn it off immediately. Disconnect the appliance, and determine whether the problem is the appliance, or if the rated load capacity of the generator has been exceeded.
- Make sure that the electrical rating of the tool or appliance does not exceed that of the generator. Never exceed the maximum power rating of the generator. Power levels between rated and maximum may be used for no more than 30 minutes.

**NOTICE**

**Substantial overloading will switch off the AC circuit breaker. Exceeding the time limit for maximum power operation or slightly overloading the generator may not switch the AC circuit breaker OFF, but will shorten the service life of the generator.**

Limit operation requiring maximum power to 30 minutes.  
Maximum power is: 3.0 kVA

For continuous operation, do not exceed the rated power.  
Rated power is: 2.6 kVA

The total power requirements (VA) of all appliances connected must be considered. Appliance and power tool manufacturers usually list rating information near the model number or serial number.

---

## AC OPERATION

1. Start the engines and make sure the output indicator lights (green) comes on (see page 28).
2. Switch ON the AC circuit breaker.
3. Plug in the appliance.

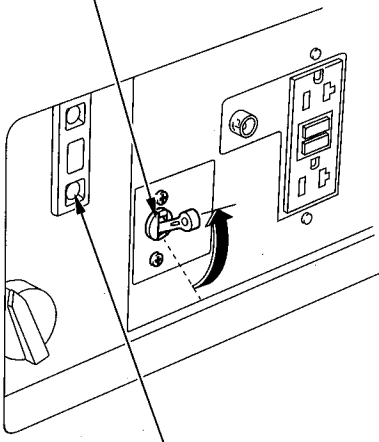
### NOTICE

**Be sure that all appliances are in good working order before connecting them to the generator. If an appliance begins to operate abnormally, becomes sluggish, or stops suddenly, turn off the engine switch immediately. Then disconnect the appliance and examine it for signs of malfunction.**

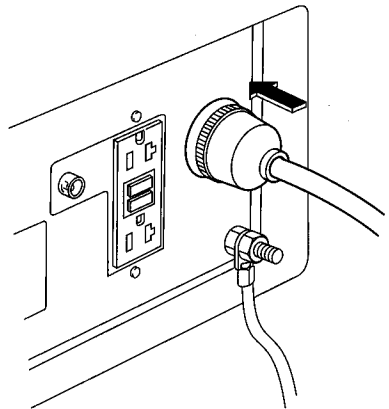
Most motorized appliances require more than their rated wattage for startup.

Do not exceed the current limit specified for any one receptacle. If an overloaded circuit causes the AC circuit breaker to switch OFF, reduce the electrical load on the circuit, wait a few minutes and then reset the AC circuit breaker.

AC CIRCUIT BREAKER



OUTPUT INDICATOR LIGHT (GREEN)





---

## HIGH ALTITUDE OPERATION

At high altitude, the standard carburetor air-fuel mixture will be too rich. Performance will decrease, and fuel consumption will increase. A very rich mixture will also foul the spark plug and cause hard starting.

High altitude performance can be improved by specific modifications to the carburetor. If you always operate your generator at altitudes above 1,500 meters (5,000 feet), have your dealer perform this carburetor modification.

Even with carburetor modification, engine horsepower will decrease about 3.5% for each 300-meter (1,000-foot) increase in altitude. The effect of altitude on horsepower will be greater than this if no carburetor modification is made.

<b>NOTICE</b>
---------------

**When the carburetor has been modified for high altitude operation, the air-fuel mixture will be too lean for low altitude use. Operation at altitudes below 1,500 meters (5,000 feet) with a modified carburetor may cause the engine to overheat and result in serious engine damage. For use at low altitudes, have your dealer return the carburetor to original factory specifications.**

# PRE-OPERATION CHECK

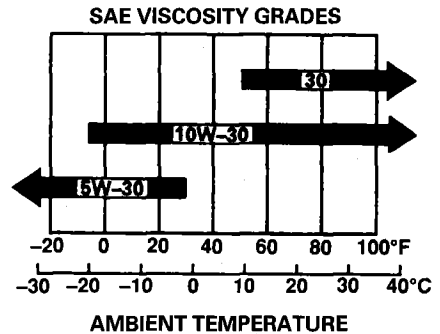
## ENGINE OIL

### NOTICE

Engine oil is a major factor affecting engine performance and service life. Non detergent and 2-stroke engine oils will damage the engine and are not recommended.

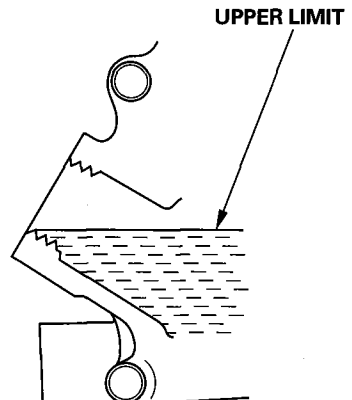
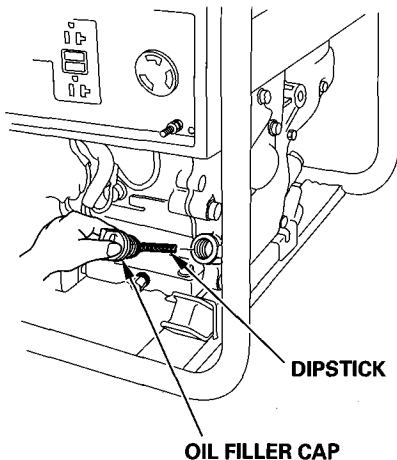
Check the oil level BEFORE EACH USE with the generator on a level surface and the engine stopped.

Use 4-stroke motor oil that meets or exceeds the requirements for API service classification SF or SG. Always check the API SERVICE label on the oil container to be sure it includes the letters SF or SG.



SAE 10W-30 is recommended for general, all-temperature use. Other viscosities shown in the chart may be used when the average temperature in your area is within the indicated range.

1. Position generator on a flat, level surface.
2. Remove the oil filler cap and wipe the dipstick clean.
3. Check the oil level by inserting the dipstick into the filler neck without screwing it in.
4. If the level is low, fill to the top of the oil filler neck with the recommended oil.



---

## REFUELING

**Fuel tank capacity:** 10.2 l (2.69 US gal , 2.24 Imp gal)

With the engine stopped, check the fuel level gauge. Refill the fuel tank if the fuel level is low.

**▲WARNING**

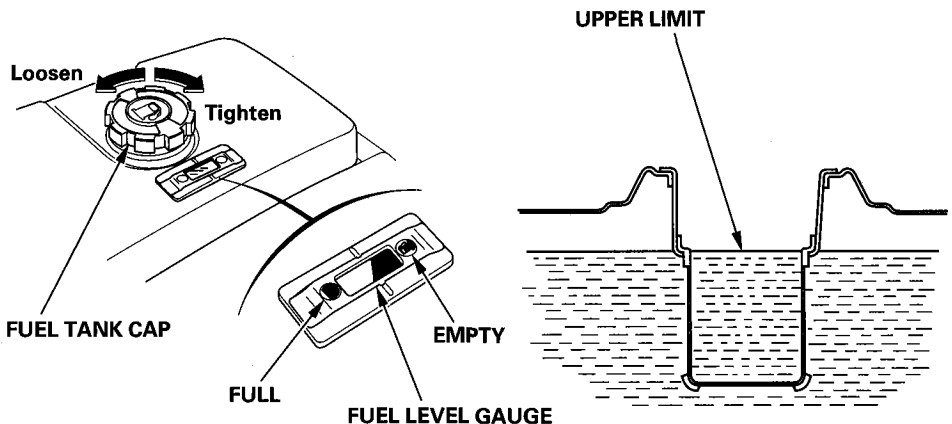
**Gasoline is highly flammable and explosive. You can be burned or seriously injured when handling fuel.**

- **Stop the engine and keep heat, sparks, and flame away.**
- **Handle fuel only outdoors.**
- **Wipe up spills immediately.**

Refuel in a well-ventilated area with the engine stopped. If the engine has been running, allow it to cool first. Refuel carefully to avoid spilling fuel. Do not fill above the upper limit. After refueling, tighten the fuel tank cap securely.

Never refuel the engine inside a building where gasoline fumes may reach flames or sparks. Keep gasoline away from appliance pilot lights, barbecues, electric appliances, power tools, etc.

Spilled fuel is not only a fire hazard, it causes environmental damage. Wipe up spills immediately.



---

## FUEL RECOMMENDATIONS

Use unleaded gasoline with a pump octane rating of 86 or higher.

This engine is certified to operate on unleaded gasoline. Unleaded gasoline produces fewer engine and spark plug deposits and extends exhaust system life.

Never use stale or contaminated gasoline or an oil/gasoline mixture. Avoid getting dirt or water in the fuel tank.

Occasionally you may hear light "spark knock" or "pinging" (metallic rapping noise) while operating under heavy loads. This is no cause for concern.

If spark knock or pinging occurs at a steady engine speed, under normal load, change brands of gasoline. If spark knock or pinging persists, see an authorized Honda generator dealer.

### NOTICE

**Running the engine with persistent spark knock or pinging can cause engine damage.**

Running the engine with persistent spark knock or pinging is misuse, and the *Distributor's Limited Warranty* does not cover parts damaged by misuse.

---

## Oxygenated Fuels

Some conventional gasolines are being blended with alcohol or an ether compound. These gasolines are collectively referred to as oxygenated fuels. To meet clean air standards, some areas of the United States and Canada use oxygenated fuels to help reduce emissions.

If you use an oxygenated fuel, be sure it is unleaded and meets the minimum octane rating requirement.

Before using an oxygenated fuel, try to confirm the fuel's contents. Some states/provinces require this information to be posted on the pump.

The following are the EPA approved percentages of oxygenates:

**ETHANOL** — (ethyl or grain alcohol) 10% by volume  
You may use gasoline containing up to 10% ethanol by volume. Gasoline containing ethanol may be marketed under the name "Gasohol".

**MTBE** — (methyl tertiary butyl ether) 15% by volume  
You may use gasoline containing up to 15% MTBE by volume.

**METHANOL** — (methyl or wood alcohol) 5% by volume  
You may use gasoline containing up to 5% methanol by volume as long as it also contains cosolvents and corrosion inhibitors to protect the fuel system. Gasoline containing more than 5% methanol by volume may cause starting and/or performance problems. It may also damage metal, rubber, and plastic parts of your fuel system.

If you notice any undesirable operating symptoms, try another service station or switch to another brand of gasoline.

Fuel system damage or performance problems resulting from the use of an oxygenated fuel containing more than the percentages of oxygenates mentioned above are not covered under warranty.

# STARTING THE ENGINE

---

## STARTING THE ENGINE

1. Make sure that all appliances are disconnected from the AC receptacles.
2. Turn the fuel valve lever to the ON position.
3. To start a cold engine, pull the choke rod out to the CLOSED position. To restart a warm engine, leave the choke rod in the OPEN position.
4. Turn the engine switch to the ON position.
5. Pull the starter grip lightly until resistance is felt, then pull briskly.

### NOTICE

**Do not allow the starter grip to snap back against the engine. Return it gently to prevent damage to the starter or housing.**

6. If the choke rod was moved to the CLOSED position to start the engine, gradually push it to the OPEN position as the engine warms up.

# STOPPING THE ENGINE

---

## STOPPING THE ENGINE

### **In an emergency:**

1. To stop the engine in an emergency, turn the engine switch to the OFF position.

### **In normal use:**

1. Turn the AC circuit breaker to the OFF position.
2. Unplug appliances from the generator receptacles.
3. Turn the engine switch to the OFF position.
4. Turn the fuel valve lever to the OFF position.

# MAINTENANCE

---

## THE IMPORTANCE OF MAINTENANCE

Good maintenance is essential for safe, economical, and trouble-free operation. It will also help reduce air pollution.

### **▲WARNING**

**Improper maintenance, or failure to correct a problem before operation, can cause a malfunction in which you can be seriously hurt or killed.**

**Always follow the inspection and maintenance recommendations and schedules in this owner's manual.**

To help you properly care for your generator, the following pages include a maintenance schedule, routine inspection procedures, and simple maintenance procedures using basic hand tools. Other service tasks that are more difficult, or require special tools, are best handled by professionals and are normally performed by a Honda technician or other qualified mechanic.

The maintenance schedule applies to normal operating conditions. If you operate your generator under severe conditions, such as sustained high-load or high-temperature operation, or use it in unusually wet or dusty conditions, consult your servicing dealer for recommendations applicable to your individual needs and use.

Remember that your servicing dealer knows your generator best and is fully equipped to maintain and repair it.

To ensure the best quality and reliability, use only new, genuine Honda parts or their equivalents for repair or replacement.

**Maintenance, replacement, or repair of the emission control devices and systems may be performed by any engine repair establishment or individual, using parts that are "certified" to EPA standards.**



---

## MAINTENANCE SAFETY

Some of the most important safety precautions follow. However, we cannot warn you of every conceivable hazard that can arise in performing maintenance. Only you can decide whether or not you should perform a given task.

### **▲WARNING**

**Failure to properly follow maintenance instructions and precautions can cause you to be seriously hurt or killed.**

**Always follow the procedures and precautions in the owner's manual.**

### **Safety Precautions**

- Make sure the engine is off before you begin any maintenance or repairs. This will eliminate several potential hazards:
  - **Carbon monoxide poisoning from engine exhaust.**  
Be sure there is adequate ventilation whenever you operate the engine.
  - **Burns from hot parts.**  
Let the engine and exhaust system cool before touching.
  - **Injury from moving parts.**  
Do not run the engine unless instructed to do so.
- Read the instructions before you begin, and make sure you have the tools and skills required.
- To reduce the possibility of fire or explosion, be careful when working around gasoline. Use only a nonflammable solvent, not gasoline, to clean parts. Keep cigarettes, sparks, and flames away from all fuel-related parts.

---

## **EMISSION CONTROL SYSTEM INFORMATION**

### **Source of Emissions**

The combustion process produces carbon monoxide, oxides of nitrogen, and hydrocarbons. Control of hydrocarbons and oxides of nitrogen is very important because, under certain conditions, they react to form photochemical smog when subjected to sunlight. Carbon monoxide does not react in the same way, but it is toxic.

Honda utilizes lean carburetor settings and other systems to reduce the emissions of carbon monoxide, oxides of nitrogen, and hydrocarbons.

### **The U.S. and California Clean Air Acts**

EPA and California regulations require all manufacturers to furnish written instructions describing the operation and maintenance of emission control systems.

The following instructions and procedures must be followed in order to keep the emissions from your Honda engine within the emission standards.

### **Tampering and Altering**

Tampering with or altering the emission control system may increase emissions beyond the legal limit. Among those acts that constitute tampering are:

- Removal or alteration of any part of the intake, fuel, or exhaust systems.
- Altering or defeating the governor linkage or speed-adjusting mechanism to cause the engine to operate outside its design parameters.

---

## **Problems That May Affect Emissions**

If you are aware of any of the following symptoms, have your engine inspected and repaired by your servicing dealer.

- Hard starting or stalling after starting.
- Rough idle.
- Misfiring or backfiring under load.
- Afterburning (backfiring).
- Black exhaust smoke or high fuel consumption.

## **Replacement Parts**

The emission control systems on your Honda engine were designed, built, and certified to conform with EPA and California emission regulations. We recommend the use of genuine Honda parts whenever you have maintenance done. These original-design replacement parts are manufactured to the same standards as the original parts, so you can be confident of their performance. The use of replacement parts that are not of the original design and quality may impair the effectiveness of your emission control system.

A manufacturer of an aftermarket part assumes the responsibility that the part will not adversely affect emission performance. The manufacturer or rebuilder of the part must certify that use of the part will not result in a failure of the engine to comply with emission regulations.

## **Maintenance**

Follow the maintenance schedule on page 34. Remember that this schedule is based on the assumption that your machine will be used for its designed purpose. Sustained high-load or high-temperature operation, or use in unusually wet or dusty conditions, will require more frequent service.

## MAINTENANCE SCHEDULE

REGULAR SERVICE PERIOD (3)			First month or 20 Hrs.	Every 3 months or 50 Hrs.	Every 6 months or 100 Hrs.	Every year or 300 Hrs.
ITEM	Perform at every indicated month or operating hour interval, whichever comes first.	Before use				
• Engine oil	Check	○				
	Change		○		○	
• Air cleaner	Check	○				
	Clean			○(1)		
	Replace					○(200 Hrs)
• Sediment cup	Clean				○	
• Spark plug	Clean-Adjust				○	
	Replace					○
Spark arrester	Clean				○	
• Valve clearance	Check-Adjust					○(2)
• Fuel tank and filter	Clean					○(2)
• Fuel line	Check		Every 2 years (Replace if necessary) (2)			

### NOTE:

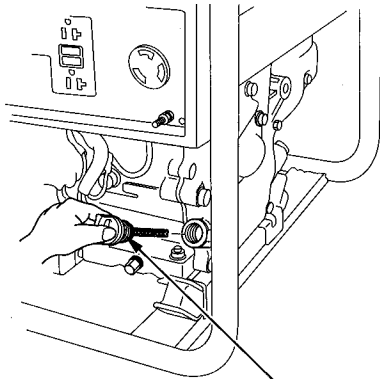
- Emission related items.
- (1) Service more frequently when used in dusty areas.
- (2) These items should be serviced by an authorized Honda generator dealer, unless the owner has the proper tools and is mechanically proficient. See the Honda Shop Manual.
- (3) For commercial use, log hours of operation to determine proper maintenance intervals.

---

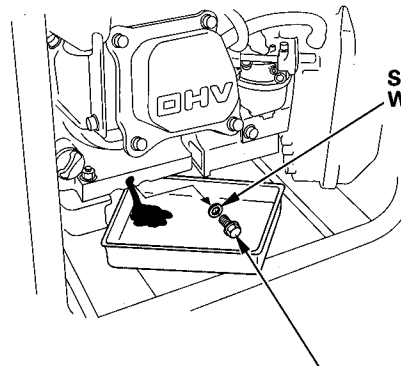
## ENGINE OIL CHANGE

Drain the oil while the engine is warm to assure rapid and complete draining.

1. Remove the oil drain plug and sealing washer, remove the oil filler cap, and drain the oil.



OIL FILLER CAP



SEALING WASHER

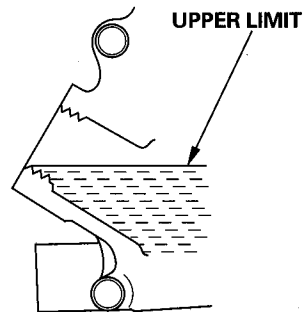
OIL DRAIN PLUG

2. Reinstall the oil drain plug and sealing washer. Tighten the plug securely.
3. Refill with the recommended oil (see page 24 ) and check the oil level.

### Oil capacity:

0.55 l (0.58 US qt , 0.48 Imp qt)

4. Reinstall the oil filler cap and tighten it securely.



Wash your hands with soap and water after handling used oil.

### NOTICE

**Improper disposal of engine oil can be harmful to the environment. If you change your own oil, please dispose of it properly. Put it in a sealed container, and take it to a recycling center. Do not discard it in a trash bin or dump it on the ground.**

---

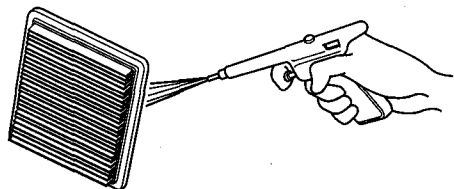
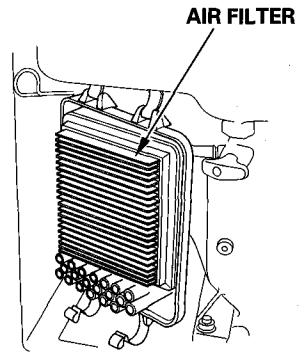
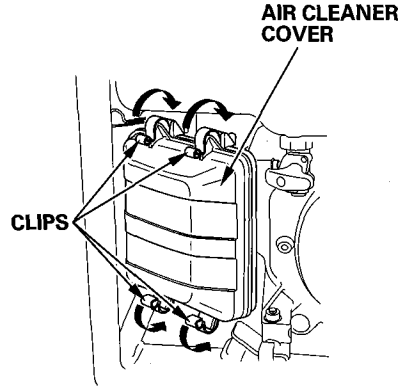
## AIR CLEANER SERVICE

A dirty air filter will restrict air flow to the carburetor. To prevent carburetor malfunction, service the air cleaner regularly. Service more frequently when operating the generator in extremely dusty areas.

**NOTICE**

**Never run the generator without the air filter. Rapid engine wear will result.**

1. Unsnap the air cleaner cover clips, remove the air cleaner cover, and remove the air filter.
2. Tap the air filter several times on a hard surface to remove dirt, or blow compressed air [not exceeding 30 psi (207 kPa, 2.1 kgf/cm<sup>2</sup>)] through the air filter from the clean side that faces the engine. Never try to brush off dirt. Brushing will force dirt into the fibers.
3. Reinstall the air filter and the cover.



---

## SPARK PLUG SERVICE

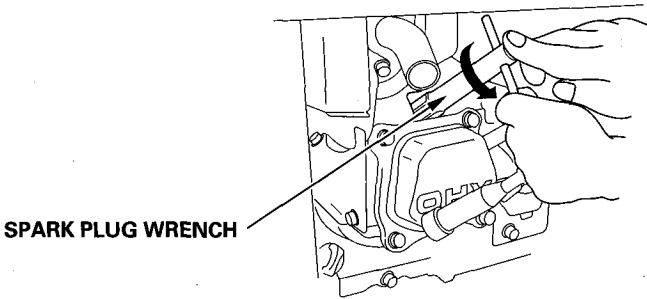
In order to service the spark plug, you will need a spark plug wrench (commercially available).

**Recommended spark plugs:** BPR6ES (NGK)  
W20EPR-U (DENSO)

To ensure proper engine operation, the spark plug must be properly gapped and free of deposits.

If the engine has been running, the muffler will be very hot. Be careful not to touch the muffler.

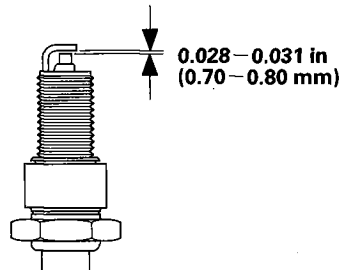
1. Remove the spark plug cap.
2. Clean any dirt from around the spark plug base.
3. Use a spark plug wrench to remove the spark plug.



4. Visually inspect the spark plug. Discard it if the insulator is cracked or chipped. Clean the spark plug with a wire brush if it is to be reused.

5. Measure the plug gap with a feeler gauge. Correct as necessary by carefully bending the side electrode.

**The gap should be:**  
0.028–0.031 in (0.70–0.80 mm)



- 
6. Check that the spark plug washer is in good condition, and thread the spark plug in by hand to prevent cross-threading.
  7. After the spark plug is seated, tighten with a spark plug wrench to compress the washer.

If installing a new spark plug, tighten 1/2 turn after the spark plug seats to compress the washer. If reinstalling a used spark plug, tighten 1/8 – 1/4 turn after the spark plug seats to compress the washer.

**NOTICE**

**The spark plug must be securely tightened. An improperly tightened spark plug can become very hot and could damage the engine. Never use spark plugs which have an improper heat range. Use only the recommended spark plugs or equivalent.**

8. Reinstall the spark plug cap on the spark plug securely.

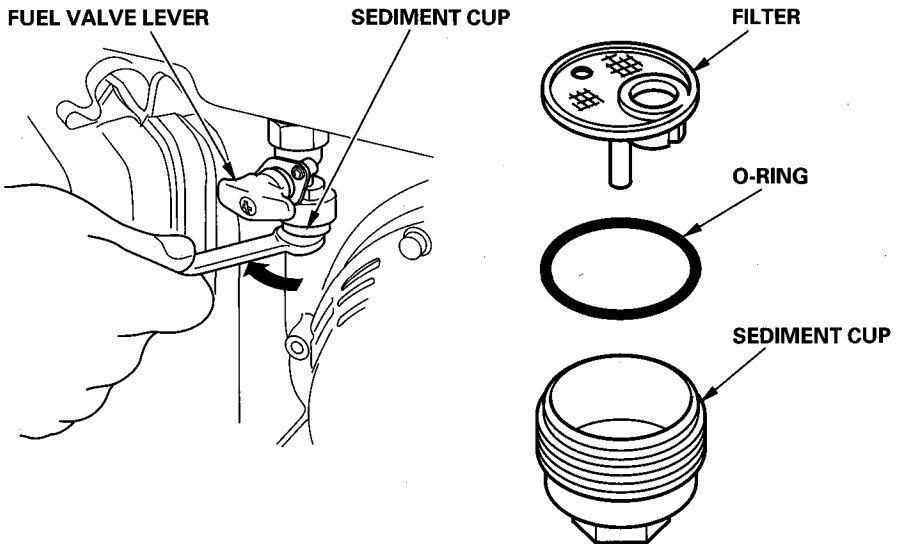


---

## FUEL SEDIMENT CUP CLEANING

The sediment cup prevents dirt or water which may be in the fuel tank from entering the carburetor. If the engine has not been run for a long time, the sediment cup should be cleaned.

1. Turn the engine switch to the OFF position.
2. Turn the fuel valve lever to the OFF position.
3. Remove the sediment cup by turning it counterclockwise.
4. Clean the sediment cup, O-ring, and filter in nonflammable or high flash point solvent.
5. Reinstall the filter, O-ring, and sediment cup.
6. Turn the fuel valve ON and check for leaks.



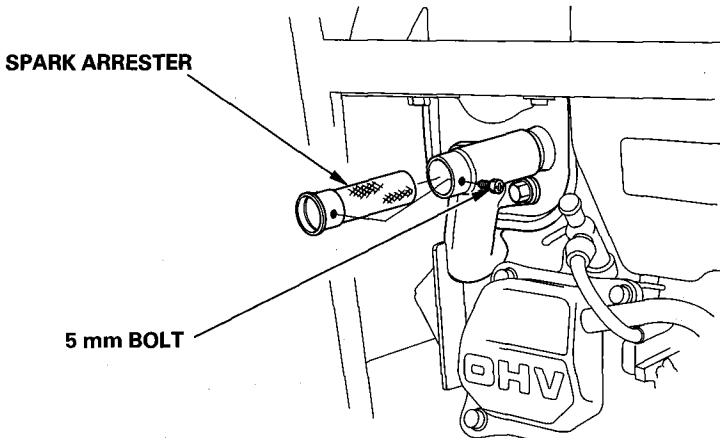
---

## SPARK ARRESTER MAINTENANCE

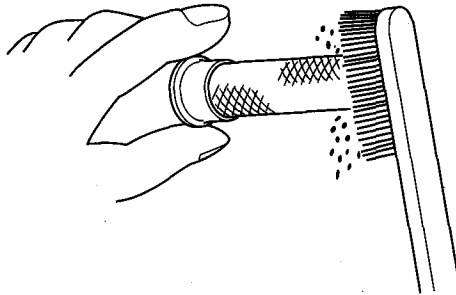
If the generator has been running, the muffler will be very hot. Allow it to cool before proceeding.

The spark arrester must be serviced every 100 hours to maintain its efficiency.

1. Remove the 5 mm bolt, and remove the spark arrester from the muffler.



2. Use a brush to remove carbon deposits from the spark arrester screen.



3. Inspect the screen for breaks or tears and replace it if necessary.
4. Install the spark arrester in the reverse order of removal.

# **TRANSPORTING/STORAGE**

---

## **TRANSPORTING**

If the generator has been used, allow it cool for at least 15 minutes before loading the generator on the transport vehicle. A hot engine and exhaust system can burn you and can ignite some material.

When transporting the generator, turn the engine switch and the fuel valve OFF, and keep the generator level to reduce the possibility of fuel leakage.

Take care not to drop or strike the generator when transporting. Do not place heavy objects on the generator.

---

## STORAGE

Before storing the unit for an extended period:

1. Be sure the storage area is free of excessive humidity and dust.
2. Service according to the table below:

<b>STORAGE TIME</b>	<b>RECOMMENDED SERVICE PROCEDURE TO PREVENT HARD STARTING</b>
Less than 1 month	No preparation required
1 to 2 months	Fill with fresh gasoline and add gasoline conditioner *.
2 months to 1 year	Fill with fresh gasoline and add gasoline conditioner *. Drain the carburetor float bowl. (page 43). Drain the fuel sediment cup. (page 43).
1 year or more	Fill with fresh gasoline and add gasoline conditioner *. Drain the carburetor float bowl. (page 43). Drain the fuel sediment cup. (page 43). Remove the spark plug. Put a tablespoon of engine oil into the cylinder. Turn the engine slowly with the starter grip to distribute the oil. Reinstall the spark plug. Change the engine oil. (page 35). After removal from storage, drain the stored gasoline into a suitable container, and fill with fresh gasoline before starting.
* Use gasoline conditioners that are formulated to extend storage life. Contact your authorized Honda generator dealer for conditioner recommendations.	

---

## Storage Procedure

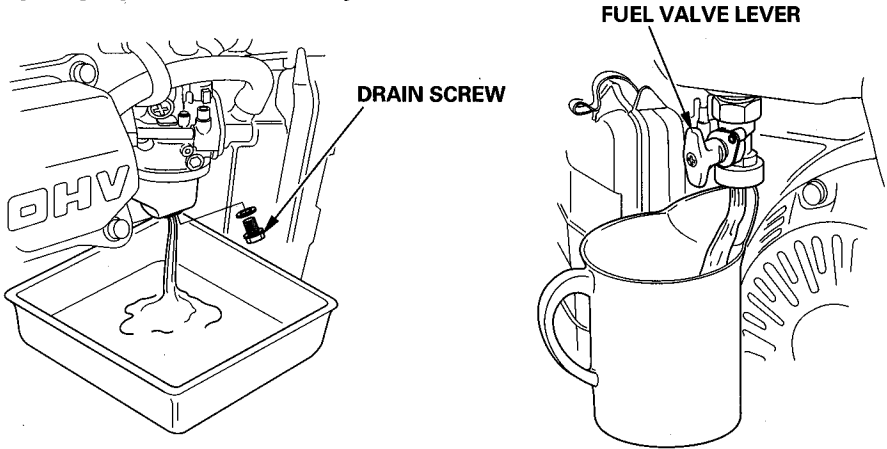
1. Drain the fuel tank, the carburetor and the fuel sediment cup.

- a. Remove the carburetor drain screw.
- b. Drain the gasoline from the carburetor into a suitable container.
- c. Install and tighten the carburetor drain screw.
- d. Turn the fuel valve off and drain the fuel sediment cup.
- e. Turn the fuel valve on and drain the gasoline from the fuel tank into a suitable container.
- f. Install and tighten the fuel sediment cup securely.
- g. Turn the fuel valve off.

### ▲WARNING

**Gasoline is highly flammable and explosive. You can be burned or seriously injured when handling fuel.**

- Keep heat, sparks, and flame away.
- Handle fuel only outdoors.
- Wipe up spills immediately.



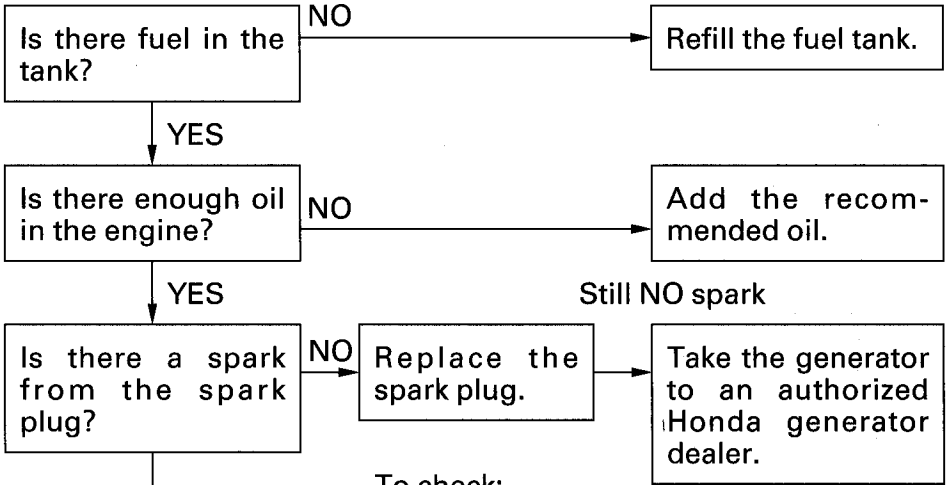
2. Change the engine oil (page 35).

3. Remove the spark plug, and pour about a tablespoon of clean engine oil into the cylinder. Crank the engine several revolutions to distribute the oil, then reinstall the spark plug.

4. Slowly pull the starter grip until resistance is felt. At this point, the piston is coming up on its compression stroke and both the intake and exhaust valves are closed. Storing the engine in this position will help to protect it from internal corrosion.

# TROUBLESHOOTING

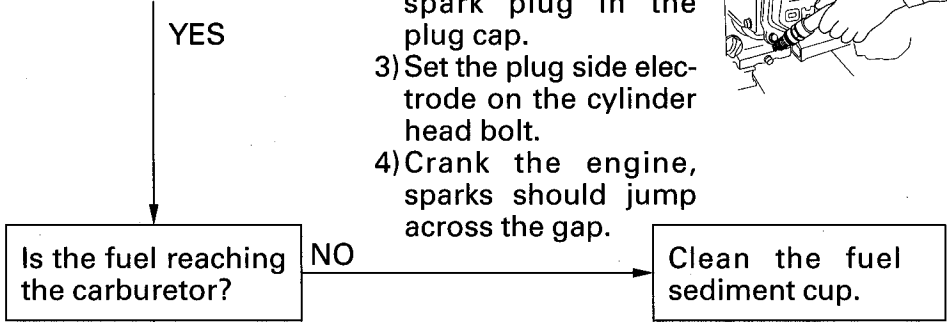
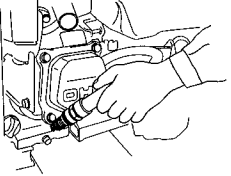
When the engine will not start:



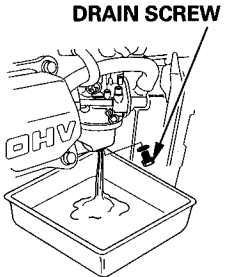
**⚠ WARNING**

Be sure there is no spilled fuel around the spark plug. Spilled fuel may ignite.

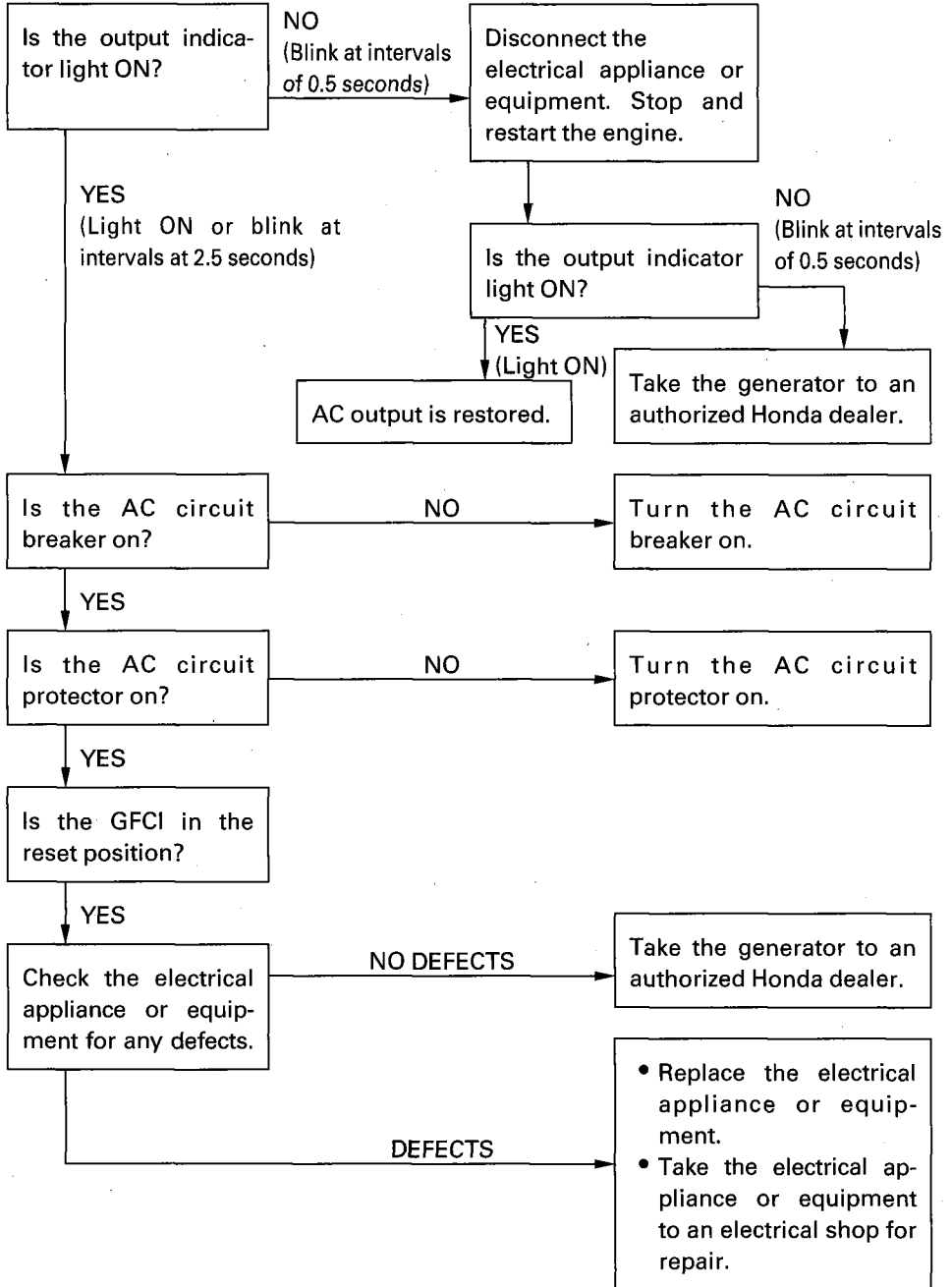
- To check:
- 1) Remove the spark plug cap and clean any dirt from around the spark plug.
  - 2) Remove the spark plug and install the spark plug in the plug cap.
  - 3) Set the plug side electrode on the cylinder head bolt.
  - 4) Crank the engine, sparks should jump across the gap.



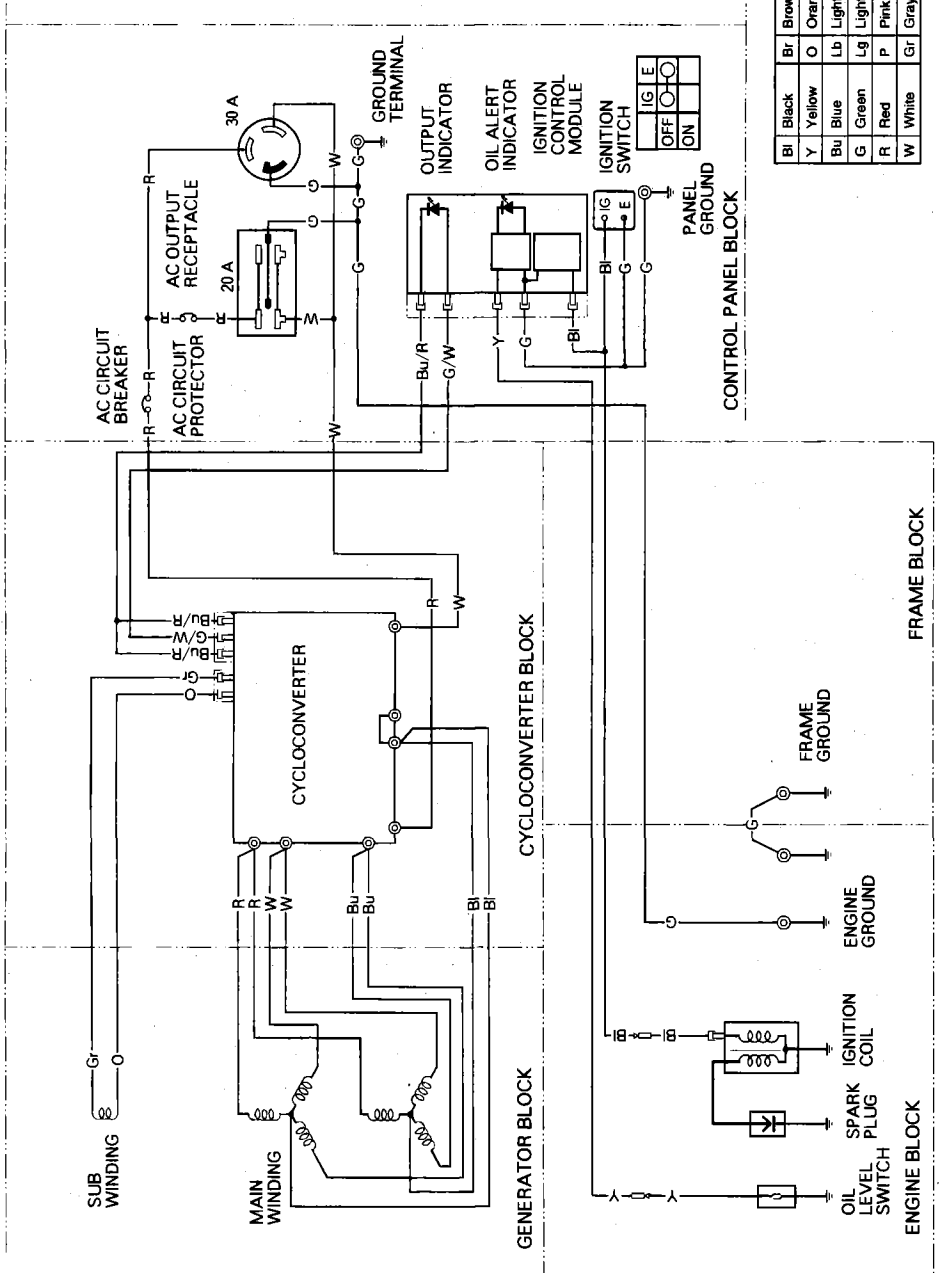
- To check:
- 1) Turn off the fuel valve and remove the drain screw.
  - 2) Turn on the fuel valve. Fuel should flow from the drain.



Appliance does not operate:



# WIRING DIAGRAM



Bl	Black	Br	Brown
Y	Yellow	O	Orange
Bu	Blue	Lb	Light blue
G	Green	Lg	Light green
R	Red	P	Pink
W	White	Gr	Gray



# SPECIFICATIONS

## Dimensions

Model (Type)	EB3000c
Power product description code	EZGP
Length	17.3 in (440 mm)
Width	15.7 in (400 mm)
Height	18.9 in (480 mm)
Dry weight	68 lbs (31 kg)

## Engine

Model	GX200
Engine Type	4-stroke, overhead valve, single cylinder (25°-inclined)
Displacement [Bore x Stroke]	12.0 cu-in (196 cm <sup>3</sup> ) [2.7 × 2.1 in (68 × 54 mm)]
Compression Ratio	8.5:1
Engine Speed	3,600 rpm
Cooling System	Forced air
Ignition System	Transistorized magneto
Oil Capacity	0.55 ℓ (0.58 US qt , 0.48 Imp qt)
Fuel Tank Capacity	10.2 ℓ (2.69 US gal , 2.24 Imp gal)
Spark Plug	BPR6ES (NGK) W20EPR-U (DENSO)

## Generator

Model	EB3000c	
Type	AG	
AC output	Rated voltage	120 V
	Rated frequency	60 Hz
	Rated Ampere	21.7 A
	Rated Output	2.6 kVA
	Maximum Output	3.0 kVA

## Tune-up Specifications

ITEM	SPECIFICATION	MAINTENANCE
Spark plug gap	0.028–0.031 in (0.70–0.80 mm)	Refer to page: 37
Valve clearance	IN: 0.15 ± 0.02 mm (cold) EX: 0.20 ± 0.02 mm (cold)	See your authorized Honda dealer
Other specifications	No other adjustments needed.	

### NOTE:

Specifications may vary according to the types, and are subject to change without notice.

# **WARRANTY SERVICE INFORMATION**

---

Servicing dealership personnel are trained professionals. They should be able to answer any question you may have. If you encounter a problem that your dealer does not solve to your satisfaction, please discuss it with the dealership's management. The Service Manager or General Manager can help. Almost all problems are solved in this way.

If you are dissatisfied with the decision made by the dealership's management, contact the Honda Power Equipment Customer Relations Office. You can write to:

American Honda Motor Co., Inc.  
Power Equipment Division  
Customer Relations Office  
4900 Marconi Drive  
Alpharetta, Georgia 30005-8847

Or telephone: (770) 497-6400

When you write or call, please give us this information:

- Model and serial number (see page 9 )
- Name of dealer who sold the generator to you
- Name and address of dealer who services your generator
- Date of purchase
- Your name, address, and telephone number
- A detailed description of the problem

COMPONENT IDENTIFICATION .....	8
CONTENTS .....	3
CONTROLS .....	10
AC Circuit Breaker .....	12
AC Circuit Protector .....	13
Choke Rod .....	11
Engine Switch .....	10
Fuel Valve .....	11
Ground Fault Circuit Interrupter (GFCI) Receptacle .....	17
Ground Terminal .....	15
Oil Alert® System .....	16
Output Indicator Light .....	14
Recoil Starter .....	10
GENERATOR USE .....	20
AC Applications .....	21
AC Operation .....	22
Connections to a Building Electrical System .....	20
Ground System .....	20
High Altitude Operation .....	23
Special Requirements .....	20
MAINTENANCE .....	30
Air Cleaner Service .....	36
Emission Control System Information .....	32
Engine Oil Change .....	35
Fuel Sediment Cup Cleaning .....	39
Importance of Maintenance .....	30
Maintenance Safety .....	31
Maintenance Schedule .....	34
Spark Arrester Maintenance .....	40
Spark Plug Service .....	37
PRE-OPERATION CHECK .....	24
Engine Oil .....	24
Fuel Recommendations .....	26
Refueling .....	25
SAFETY .....	5
Safety Information .....	6
Safety Label Locations .....	5
SPECIFICATIONS .....	47
STARTING THE ENGINE .....	28
STOPPING THE ENGINE .....	29
TRANSPORTING/STORAGE .....	41
Storage .....	42
Transporting .....	41

---

TROUBLESHOOTING .....	44
WARRANTY SERVICE INFORMATION .....	48
WIRING DIAGRAM .....	46

---

**MEMO**

---

**MEMO**

**HONDA**  
HONDA MOTOR CO., LTD. TOKYO, JAPAN

31Z03700  
00X31-Z03-7000



(AH) (英) (N) (HC) 20009908

PRINTED IN JAPAN