

*American
Standard*

SPLIT SYSTEM COOLING
1 — 5 TON



ALLEGIANCE® 10
MODELS 7A0018-060

Features and Benefits

Built To A Higher Standard.

Split System Cooling Units . . . Designed With Your Needs In Mind.

Allegiance® 10 split systems represent a new approach to designing products for American-Standard. The design team's mission is ". . . to bring a system to the marketplace that will meet your job requirements every time" . . . And at a competitive price.

American-Standard's experienced design team used the newest computer technology and an entirely new manufacturing process to develop a new standard in split systems. Couple the American-Standard reputation for quality and reliability in split system air conditioners with improvements in efficiency, flexibility and installation ease . . . and you have systems that are "Built To A Higher Standard."



- ◆ High efficiency **Duration™** compressor
- ◆ Attractive warm gray color
- ◆ Brazed refrigerant connections
- ◆ Multi-use service valves
- ◆ Sculpted, contoured top
- ◆ Recessed fan grille
- ◆ Screw covers on fan grille
- ◆ Steel cabinet, full coil protection
- ◆ Powder paint covers uniformly to resist rust & corrosion
- ◆ Fast draining base pan assembly
- ◆ Liquid line filter-drier
- ◆ Single side service access
- ◆ 7A0 corner shipping blocks used for base spacers
- ◆ Cavities in base pan designed for standard heat pump legs

- ◆ Vertical air discharge
- ◆ Direct drive propeller fan
- ◆ Factory supplied charge of HCFC
- ◆ Weatherproof electrical controls
- ◆ Low ambient cooling to 55°F. as shipped
- ◆ Low ambient cooling to 40°F. with EDC accessory AY28X079
- ◆ Low ambient cooling to 30°F. with EDC accessory AY28X079 and TXV
- ◆ **5-year limited warranty on compressor & coil, 1-year on parts**
- ◆ **Optional extended warranties**

A.R.I. STANDARD CAPACITY RATING CONDITIONS

A.R.I. STANDARD 210 RATING CONDITIONS — (A) Cooling 80°F. D.B., 67°F. W.B. air entering indoor coil, 95°F. D.B. air entering outdoor coil.

A.R.I. STANDARD 270 RATING CONDITIONS — (Noise rating numbers are determined with the unit in cooling operation.) Standard Noise Rating number is at 95°F. outdoor air.

Contents

Manufacturing Control

American-Standard's exclusive control over the design and manufacturing of all major components is unique in the industry. This approach assures us total control over both the quality and reliability of these components. It also allows us to custom match components to deliver the best in split system performance.

Designing the Details

Careful attention was given to designing the details — from control wiring to the access panels. These units feature time-saving color-coded wiring and removable panels which allow complete access to all major components and controls. All outdoor units feature external high and low pressure gauge port connections. Service valves for easy diagnosing and servicing of the unit are provided.

Standardized Cabinets

In addition all cabinets have been standardized; so when you are servicing an outdoor unit or an air handler all components are in the same location from unit to unit.

UL Listed

American-Standard meets or exceeds all nationally recognized agency safety and design standards. Each condensing unit is designed, approved, and labeled in accordance to UL Standards: UL 1995 for central cooling air conditioners and for refrigeration and air conditioning condensing and compressor units, including approval for use in Canada. Each unit is rated in accordance with ARI Standard 210 and 270.



Features and Benefits 2

Model Number Description 4

Optional Equipment 4

General Data

7A0018A100A 5

7A0024A100A 7

7A0030A100A 9

7A0036A100A 12

7A0042A100A 14

7A0048B100A 16

7A0060B100A 18

Ratings with Auxiliary Devices 20

Typical Wiring 24

Dimensional Data 26

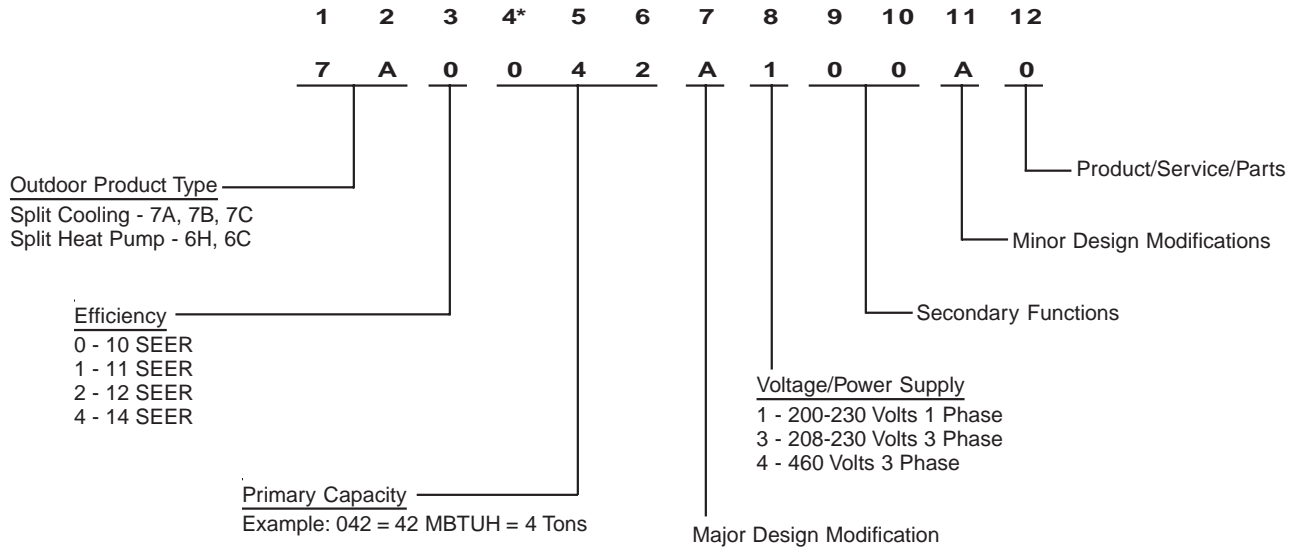
Mechanical Specifications 27

DATA SUBJECT TO CHANGE WITHOUT NOTICE

PRODUCT DATA

American Standard Inc., Tyler, TX 75711-9010

Model Number Description



OPTIONAL EQUIPMENT

OPTIONAL EQUIPMENT FOR CONDENSING UNITS (Check mark [✓] indicates accessories included).

Indoor Thermostats — Prog. Electronic Setback 3 Heating/2 Cooling	ASYSTAT620 []
Prog. Electronic Setback 1 Heating/1 Cooling	ASYSTAT621 []
Cooling Only with Fan Switch	ASYSTAT603 []
Heating/Cooling — Vertical	ASYSTAT604 []
Heating/Cooling — Horizontal	ASYSTAT605 []
Manual 2 Heating/1 Cooling	ASYSTAT606 []
Thermostat Locking Cover	BAY28X190 []
Outdoor Thermostat	TAYSTAT250A []
Evaporator Defrost Control	AY28X079 []
Indoor Fan Delay Relay Kit	BAY24X045 []
Humidistat	ASYSTAT625 []
5 Minute Delay Relay ^①	TAYASCT501A []
Quick Start Kit (7A0018,024,036,042A)	BAYKSKT250A []
Quick Start Kit (7A0048-60B)	BAYKSKT252A []
Rubber Isolators	BAYISLT100 []
Crankcase Heater Kit (7A0048B) ^②	BAYCCHT200A []
Crankcase Heater Kit (7A0060B) ^②	BAYCCHT201A []

^① Do not use with programmable thermostats.

^② When field inner connecting lines exceed 60 linear ft. of length consult refrigerant piping software (Pub. No. 12-3312-01).

BRAZED TUBING REFRIGERANT LINE SETS (All Suction Lines are Insulated.)

5/8" ODM (90° bend, one end), 5/8" & 1/4" tubing	TAYREFLN1__* []
3/4" ODM (90° bend, one end), 3/4" & 5/16" tubing	TAYREFLN2__* []
7/8" ODM (90° bend, one end), 7/8" & 3/8" tubing	TAYREFLN3__* []
1-1/8" ODM (90° bend, one end), 1-1/8" & 3/8" tubing	TAYREFLN4__* []

*Line lengths: 15, 20, 25, 30, 40 & 50 ft. Insert desired line length in catalog number at right for the complete number.

Example: TAYREFLN220.

LOW OUTDOOR AMBIENT COOLING

Low Ambient Cooling

FCCV Accutron
Thermal Expansion Valve (TXV)

As Manufactured

55°F
45°F

Evaporator Defrost Control

40°F
30°F

General Data — 7A0018A100A

OUTDOOR UNIT ①②	7A0018A100A
POWER CONNS. — V/PH/Hz ③	200/230/1/60
MIN. BRCH. CIR. AMPACITY	11
BR. CIR. } MAX. (AMPS)	15
PROT. RTG. } MIN. (AMPS)	15
NOISE RATING (DECIBELS) ②	80
COMPRESSOR	DURATION™
NO. USED - NO. SPEEDS	1 - 1
VOLTS/PH/Hz	200/230/1/60
R.L. AMPS ⑦ - L.R. AMPS	8.0 - 45
FACTORY INSTALLED	
START COMPONENTS ⑧	NO
INSULATION/SOUND BLANKET	NO
COMPRESSOR HEAT	NO
OUTDOOR FAN — TYPE	PROPELLER
DIA. (IN.) - NO. USED	18 - 1
TYPE DRIVE - NO. SPEEDS	DIRECT - 1
CFM @ 0.0 IN. W.G. ④	1960
NO. MOTORS - HP	1 - 1/8
MOTOR SPEED R.P.M.	1075
VOLTS/PH/Hz	200/230/1/60
FL. AMPS	0.75
OUTDOOR COIL — TYPE	SPINE FIN™
ROWS - F.P.I.	1 - 24
FACE AREA (SQ. FT.)	10.61
TUBE SIZE (IN.)	3/8
REFRIGERANT	
LBS. — R-22 (O.D. UNIT) ⑤	3-LBS., 13-OZ.
FACTORY SUPPLIED	YES
LINE SIZE - IN. O.D. GAS ⑥	5/8
LINE SIZE - IN. O.D. LIQ. ⑥	1/4
FCCV	
RESTRICTOR ORIFICE SIZE	0.049
DIMENSIONS	H X W X D
OUTDOOR UNIT - CRATED (IN.)	27-3/8 X 31-1/2 X 27-5/8
UNCRATED	SEE OUTLINE DWG.
WEIGHT	
SHIPPING (LBS.)	166
NET (LBS.)	148

① CERTIFIED IN ACCORDANCE WITH THE UNITARY AIR-CONDITIONER EQUIPMENT CERTIFICATION PROGRAM, WHICH IS BASED ON A.R.I. STANDARD 210/240.

② RATED IN ACCORDANCE WITH A.R.I. STANDARD 270.



SPLIT SYSTEM

③ CALCULATED IN ACCORDANCE WITH NATL. ELECTRIC CODE. ONLY USE HACR CIRCUIT BREAKERS OR FUSES.

④ STANDARD AIR - DRY COIL - OUTDOOR

⑤ THIS VALUE APPROXIMATE. FOR MORE PRECISE VALUE SEE UNIT NAMEPLATE AND SERVICE INSTRUCTION.

⑥ MAX. LINEAR LENGTH: 80 FT WITH RECIPROCATING COMPRESSOR - 60 FT WITH SCROLL. MAX. LIFT - SUCTION 60 FT; MAX LIFT - LIQUID 60 FT. FOR GREATER LENGTH REFER TO REFRIGERANT PIPING SOFTWARE PUB. NO. 12-3312-01.

⑦ THE VALUE SHOWN FOR COMPRESSOR RLA ON THE UNIT NAMEPLATE AND ON THIS SPECIFICATION SHEET IS USED TO COMPUTE MINIMUM BRANCH CIRCUIT AMPACITY AND MAXIMUM FUSE SIZE. THE VALUE SHOWN IS THE BRANCH CIRCUIT SELECTION CURRENT.

⑧ NO MEANS NO START COMPONENTS.
YES MEANS QUICK START KIT COMPONENTS.
PTC MEANS POSITIVE TEMPERATURE COEFFICIENT STARTER.



CONDENSING UNIT WITH COOLING COILS

	CCBA18A4ACC	CCBA24A4ACC	CUBA18A4ACC	CUBA24A4ACC	TXA018C4	TXA024C4	TXA025C4
EXPANSION TYPE	FIXED ORIFICE	FIXED ORIFICE	FIXED ORIFICE	FIXED ORIFICE	FACT INS 49	CHG TO 49	CHG TO 49
RATINGS (COOLING) ①							
BTUH (TOTAL)	17200	17100	17200	17100	17200	17300	17600
BTUH (SENSIBLE)	11400	11800	11400	11800	11400	11900	12800
INDOOR AIRFLOW (CFM)	600	640	600	640	600	645	660
SYSTEM POWER (KW)	1.74	1.68	1.74	1.68	1.74	1.74	1.75
SEER (BTU/WATT-HR.)	10.00	10.50	10.00	10.50	10.00	10.15	10.20

	TXC018C4	TXC024C4	TXC024D4	TXC025C4	TXC025D4	TXH025A4
EXPANSION TYPE	FACT INS 49	CHG TO 49	CHG TO 49	CHG TO 49	CHG TO 49	CHG TO 49
RATINGS (COOLING) ①						
BTUH (TOTAL)	17200	17300	17300	17600	17600	17900
BTUH (SENSIBLE)	11400	11900	11900	12800	12800	12400
INDOOR AIRFLOW (CFM)	600	645	645	660	660	670
SYSTEM POWER (KW)	1.73	1.74	1.74	1.75	1.75	1.79
SEER (BTU/WATT-HR.)	10.00	10.15	10.15	10.20	10.20	10.50

CONDENSING UNIT WITH AIR HANDLERS

	TVF018A14	TVF024A14	TVF025A14	TWE018C14	TWE024C14	TWG018A14	TWG025A14
EXPANSION TYPE	FACT INS 49	CHG TO 49	CHG TO 49	FACT INS 49	CHG TO 49	FACT INS 49	CHG TO 49
RATINGS (COOLING) ①							
BTUH (TOTAL)	17800	17900	18000	17000	16800	17000	16600
BTUH (SENSIBLE)	12800	13400	13500	11400	11700	11600	11900
INDOOR AIRFLOW (CFM)	600	670	675	600	630	600	620
SYSTEM POWER (KW)	1.71	1.79	1.76	1.63	1.72	1.70	1.61
SEER (BTU/WATT-HR.)	10.80	10.35	10.60	10.85	10.10	10.75	10.20

*See page 20 for combinations with Auxiliary Devices.

PRODUCT DATA

American Standard Inc., Tyler, TX 75711-9010

General Data — 7A0018A100A

CONDENSING UNIT WITH AIR HANDLERS

	TWG030A14
EXPANSION TYPE	CHG TO 49
RATINGS (COOLING) ①	
BTUH (TOTAL)	18100
BTUH (SENSIBLE)	13000
INDOOR AIRFLOW (CFM)	675
SYSTEM POWER (KW)	1.80
SEER (BTU/WATT-HR.)	10.75

CONDENSING UNIT WITH FURNACES & COILS

	AUY080R9V3
	+TXC031E5
EXPANSION TYPE	TXV-B
RATINGS (COOLING) ①	
BTUH (TOTAL)	18800
BTUH (SENSIBLE)	13300
INDOOR AIRFLOW (CFM)	575
SYSTEM POWER (KW)	1.59
SEER (BTU/WATT-HR.)	10.90

*See page 20 for combinations with Auxiliary Devices.

General Data — 7A0024A100A

OUTDOOR UNIT ①②	7A0024A100A
POWER CONNS. — V/PH/Hz ③	200/230/1/60
MIN. BRCH. CIR. AMPACITY	15
BR. CIR. } MAX. (AMPS)	25
PROT. RTG. } MIN. (AMPS)	20
NOISE RATING (DECIBELS) ②	80
COMPRESSOR	DURATION™
NO. USED - NO. SPEEDS	1 - 1
VOLTS/PH/Hz	200/230/1/60
R.L. AMPS ⑦ - L.R. AMPS	11.6 - 67
FACTORY INSTALLED	
START COMPONENTS ⑧	NO
INSULATION/SOUND BLANKET	NO
COMPRESSOR HEAT	NO
OUTDOOR FAN — TYPE	PROPELLER
DIA. (IN.) - NO. USED	18 - 1
TYPE DRIVE - NO. SPEEDS	DIRECT - 1
CFM @ 0.0 IN. W.G. ④	1960
NO. MOTORS - HP	1 - 1/8
MOTOR SPEED R.P.M.	1075
VOLTS/PH/Hz	200/230/1/60
FL. AMPS	0.75
OUTDOOR COIL — TYPE	SPINE FIN™
ROWS - F.P.I.	1 - 24
FACE AREA (SQ. FT.)	10.61
TUBE SIZE (IN.)	3/8
REFRIGERANT	
LBS. — R-22 (O.D. UNIT) ⑤	4-LBS., 3-OZ.
FACTORY SUPPLIED	YES
LINE SIZE - IN. O.D. GAS ⑥	3/4
LINE SIZE - IN. O.D. LIQ. ⑥	5/16
FCCV	
RESTRICTOR ORIFICE SIZE	0.057
DIMENSIONS	H X W X D
OUTDOOR UNIT - CRATED (IN.)	27-3/8 X 31-1/2 X 27-5/8
UNCRATED	SEE OUTLINE DWG.
WEIGHT	
SHIPPING (LBS.)	173
NET (LBS.)	155

① CERTIFIED IN ACCORDANCE WITH THE UNITARY AIR-CONDITIONER EQUIPMENT CERTIFICATION PROGRAM, WHICH IS BASED ON A.R.I. STANDARD 210/240.

② RATED IN ACCORDANCE WITH A.R.I. STANDARD 270.



SPLIT SYSTEM

③ CALCULATED IN ACCORDANCE WITH NATL. ELECTRIC CODE. ONLY USE HACR CIRCUIT BREAKERS OR FUSES.

④ STANDARD AIR - DRY COIL - OUTDOOR

⑤ THIS VALUE APPROXIMATE. FOR MORE PRECISE VALUE SEE UNIT NAMEPLATE AND SERVICE INSTRUCTION.

⑥ MAX. LINEAR LENGTH: 80 FT WITH RECIPROCATING COMPRESSOR - 60 FT WITH SCROLL. MAX. LIFT - SUCTION 60 FT; MAX LIFT - LIQUID 60 FT. FOR GREATER LENGTH REFER TO REFRIGERANT PIPING SOFTWARE PUB. NO. 12-3312-01.

⑦ THE VALUE SHOWN FOR COMPRESSOR RLA ON THE UNIT NAMEPLATE AND ON THIS SPECIFICATION SHEET IS USED TO COMPUTE MINIMUM BRANCH CIRCUIT AMPACITY AND MAXIMUM FUSE SIZE. THE VALUE SHOWN IS THE BRANCH CIRCUIT SELECTION CURRENT.

⑧ NO MEANS NO START COMPONENTS.
YES MEANS QUICK START KIT COMPONENTS.
PTC MEANS POSITIVE TEMPERATURE COEFFICIENT STARTER.



CONDENSING UNIT WITH COOLING COILS

	CCBA24A4ACC	CCBA30A4ACC	CCBB30A4ACC	CUBA24A4ACC	CUBA30A4ACC	CUBB30A4ACC	TXA018C4
EXPANSION TYPE	FIXED ORIFICE	FIXED ORIFICE	FIXED ORIFICE	FIXED ORIFICE	FIXED ORIFICE	FIXED ORIFICE	CHG TO 57
RATINGS (COOLING) ①							
BTUH (TOTAL)	22400	21800	22400	22400	21800	22400	21200
BTUH (SENSIBLE)	14700	14700	16400	14700	14700	16400	13400
INDOOR AIRFLOW (CFM)	800	815	840	800	815	840	675
SYSTEM POWER (KW)	2.40	2.37	2.40	2.40	2.37	2.40	2.28
SEER (BTU/WATT-HR.)	10.00	10.00	10.05	10.00	10.00	10.05	10.00

	TXA024C4	TXA025C4	TXA030C4	TXA031C4	TXA035C4	TXA036C4	TXA037C4
EXPANSION TYPE	FACT INS 57	FACT INS 57	CHG TO 57	CHG TO 57	CHG TO 57	CHG TO 57	CHG TO 57
RATINGS (COOLING) ①							
BTUH (TOTAL)	23000	22600	23200	23400	23200	23800	23800
BTUH (SENSIBLE)	15100	15500	15900	16900	15900	17300	17300
INDOOR AIRFLOW (CFM)	800	800	870	875	870	890	890
SYSTEM POWER (KW)	2.45	2.39	2.46	2.46	2.46	2.48	2.48
SEER (BTU/WATT-HR.)	10.00	10.05	10.05	10.05	10.05	10.10	10.10

7A0024A WITH	TXC018C4	TXC024C4	TXC024D4	TXC025C4	TXC025D4	TXC030C4	TXC030D4
EXPANSION TYPE	CHG TO 57	FACT INS 57	FACT INS 57	FACT INS 57	FACT INS 57	CHG TO 57	CHG TO 57
RATINGS (COOLING) ①							
BTUH (TOTAL)	21200	23000	23000	22600	22600	23200	23200
BTUH (SENSIBLE)	13400	15100	15100	15500	15500	15900	15900
INDOOR AIRFLOW (CFM)	675	800	800	800	800	870	870
SYSTEM POWER (KW)	2.28	2.45	2.45	2.39	2.39	2.46	2.46
SEER (BTU/WATT-HR.)	10.00	10.00	10.00	10.05	10.05	10.05	10.05

*See page 20 for combinations with Auxiliary Devices.

PRODUCT DATA

American Standard Inc., Tyler, TX 75711-9010

General Data — 7A0024A100A

CONDENSING UNIT WITH COOLING COILS

	TXC031C4	TXC031D4	TXC031E5	TXC035C4	TXC035D4	TXC036C4	TXC036D4
EXPANSION TYPE	CHG TO 57	CHG TO 57	TXV-B	CHG TO 57	CHG TO 57	CHG TO 57	CHG TO 57
RATINGS (COOLING) ①							
BTUH (TOTAL)	23400	23400	23800	23200	23200	23800	23800
BTUH (SENSIBLE)	16900	16900	17400	15900	15900	17300	17300
INDOOR AIRFLOW (CFM)	875	875	890	870	870	890	890
SYSTEM POWER (KW)	2.46	2.46	2.45	2.46	2.46	2.48	2.48
SEER (BTU/WATT-HR.)	10.05	10.05	10.35	10.05	10.05	10.10	10.10

	TXC036E5	TXC037C4	TXC037E5	TXH025A4	TXH033A4
EXPANSION TYPE	TXV-B	CHG TO 57	TXV-B	FACT INS 57	FACT INS 57
RATINGS (COOLING) ①					
BTUH (TOTAL)	24200	23800	24200	23200	24400
BTUH (SENSIBLE)	17800	17300	17800	15300	17500
INDOOR AIRFLOW (CFM)	900	890	900	800	900
SYSTEM POWER (KW)	2.46	2.48	2.46	2.47	2.55
SEER (BTU/WATT-HR.)	10.50	10.10	10.50	10.10	10.15

CONDENSING UNIT WITH AIR HANDLERS

	TVF018A14	TVF024A14	TVF025A14	TVF030A14	TVF036A14	TWE018C14	TWE024C14
EXPANSION TYPE	CHG TO 57	CHG TO 57	CHG TO 57	CHG TO 57	CHG TO 57	CHG TO 57	CHG TO 57
RATINGS (COOLING) ①							
BTUH (TOTAL)	22400	23200	23200	24000	24200	22400	22600
BTUH (SENSIBLE)	15000	16400	16400	18000	18200	14300	15000
INDOOR AIRFLOW (CFM)	675	800	800	900	900	675	800
SYSTEM POWER (KW)	2.36	2.44	2.40	2.47	2.56	2.38	2.42
SEER (BTU/WATT-HR.)	10.30	10.30	10.50	10.50	10.15	10.15	10.10

	TWE030C14	TWE036C14	TWG018A14	TWG025A14	TWG030A14
EXPANSION TYPE	CHG TO 57	CHG TO 57	CHG TO 57	CHG TO 57	CHG TO 57
RATINGS (COOLING) ①					
BTUH (TOTAL)	23000	23600	21800	22400	22800
BTUH (SENSIBLE)	16400	16900	14200	15200	15900
INDOOR AIRFLOW (CFM)	860	885	675	800	855
SYSTEM POWER (KW)	2.45	2.50	2.34	2.33	2.44
SEER (BTU/WATT-HR.)	10.20	10.20	10.15	10.00	10.00

CONDENSING UNIT WITH FURNACES & COILS

	ADD080R9V3 +TXC031E5	ADD080R9V3 +TXC036E5	ADD100R9V5 +TXC037E5	AUD080R9V3 +TXC031E5	AUD080R9V3 +TXC036E5	AUD100R9V5 +TXC037E5	AUY080R9V3 +TXC031E5
EXPANSION TYPE	TXV-B	TXV-B	TXV-B	TXV-B	TXV-B	TXV-B	TXV-B
RATINGS (COOLING) ①							
BTUH (TOTAL)	23800	24400	24400	23800	24400	24400	24600
BTUH (SENSIBLE)	16600	17300	17400	16800	17500	17400	17400
INDOOR AIRFLOW (CFM)	775	775	800	800	825	800	800
SYSTEM POWER (KW)	2.22	2.24	2.22	2.26	2.26	2.22	2.32
SEER (BTU/WATT-HR.)	10.70	10.80	10.80	10.70	10.80	10.80	10.90

	AUY080R9V3 +TXC036E5
EXPANSION TYPE	TXV-B
RATINGS (COOLING) ①	
BTUH (TOTAL)	25200
BTUH (SENSIBLE)	18000
INDOOR AIRFLOW (CFM)	800
SYSTEM POWER (KW)	2.33
SEER (BTU/WATT-HR.)	10.90

*See page 20 for combinations with Auxiliary Devices.

General Data — 7A0030A100A

OUTDOOR UNIT ①②	7A0030A100A
POWER CONNS. — V/PH/Hz ③	200/230/1/60
MIN. BRCH. CIR. AMPACITY	17
BR. CIR. } MAX. (AMPS)	30
PROT. RTG. } MIN. (AMPS)	30
NOISE RATING (DECIBELS) ②	78
COMPRESSOR	DURATION™
NO. USED - NO. SPEEDS	1 - 1
VOLTS/PH/Hz	200/230/1/60
R.L. AMPS ⑦ - L.R. AMPS	13.1 - 75
FACTORY INSTALLED	
START COMPONENTS ⑧	NO
INSULATION/SOUND BLANKET	NO
COMPRESSOR HEAT	YES
OUTDOOR FAN — TYPE	PROPELLER
DIA. (IN.) - NO. USED	18 - 1
TYPE DRIVE - NO. SPEEDS	DIRECT - 1
CFM @ 0.0 IN. W.G. ④	2175
NO. MOTORS - HP	1 - 1/8
MOTOR SPEED R.P.M.	1075
VOLTS/PH/Hz	200/230/1/60
FL. AMPS	0.75
OUTDOOR COIL — TYPE	SPINE FIN™
ROWS - F.P.I.	1 - 24
FACE AREA (SQ. FT.)	10.61
TUBE SIZE (IN.)	3/8
REFRIGERANT	
LBS. — R-22 (O.D. UNIT) ⑤	3-LBS., 14 OZ.
FACTORY SUPPLIED	YES
LINE SIZE - IN. O.D. GAS ⑥	3/4
LINE SIZE - IN. O.D. LIQ. ⑥	5/16
FCCV	
RESTRICTOR ORIFICE SIZE	0.065
DIMENSIONS	H X W X D
OUTDOOR UNIT - CRATED (IN.)	27-3/8 X 31-1/2 X 27-5/8
UNCRATED	SEE OUTLINE DWG.
WEIGHT	
SHIPPING (LBS.)	174
NET (LBS.)	156

① CERTIFIED IN ACCORDANCE WITH THE UNITARY AIR-CONDITIONER EQUIPMENT CERTIFICATION PROGRAM, WHICH IS BASED ON A.R.I. STANDARD 210/240.

② RATED IN ACCORDANCE WITH A.R.I. STANDARD 270.



SPLIT SYSTEM

③ CALCULATED IN ACCORDANCE WITH NATL. ELECTRIC CODE. ONLY USE HACR CIRCUIT BREAKERS OR FUSES.

④ STANDARD AIR - DRY COIL - OUTDOOR

⑤ THIS VALUE APPROXIMATE. FOR MORE PRECISE VALUE SEE UNIT NAMEPLATE AND SERVICE INSTRUCTION.

⑥ MAX. LINEAR LENGTH: 80 FT WITH RECIPROCATING COMPRESSOR - 60 FT WITH SCROLL. MAX. LIFT - SUCTION 60 FT; MAX LIFT - LIQUID 60 FT. FOR GREATER LENGTH REFER TO REFRIGERANT PIPING SOFTWARE PUB. NO. 12-3312-01.

⑦ THE VALUE SHOWN FOR COMPRESSOR RLA ON THE UNIT NAMEPLATE AND ON THIS SPECIFICATION SHEET IS USED TO COMPUTE MINIMUM BRANCH CIRCUIT AMPACITY AND MAXIMUM FUSE SIZE. THE VALUE SHOWN IS THE BRANCH CIRCUIT SELECTION CURRENT.

⑧ NO MEANS NO START COMPONENTS.
YES MEANS QUICK START KIT COMPONENTS.
PTC MEANS POSITIVE TEMPERATURE COEFFICIENT STARTER.



CONDENSING UNIT WITH COOLING COILS

	CCBA30A4ACC	CCBA36A4ACC	CCBB30A4ACC	CCBB36A4ACC	CUBA30A4ACC	CUBA36A4ACC	CUBB30A4ACC
EXPANSION TYPE	FIXED ORIFICE	FIXED ORIFICE	FIXED ORIFICE	FIXED ORIFICE	FIXED ORIFICE	FIXED ORIFICE	FIXED ORIFICE
RATINGS (COOLING) ①							
BTUH (TOTAL)	26600	27400	27800	27600	26600	27400	27800
BTUH (SENSIBLE)	17400	18600	19500	19900	17400	18600	19500
INDOOR AIRFLOW (CFM)	950	1020	1000	1030	950	1020	1000
SYSTEM POWER (KW)	2.92	3.01	2.99	3.02	2.92	3.01	2.99
SEER (BTU/WATT-HR.)	10.00	10.00	10.05	10.00	10.00	10.00	10.05

	CUBB36A4ACC	TXA024C4	TXA025C4	TXA030C4	TXA031C4	TXA035C4	TXA036C4
EXPANSION TYPE	FIXED ORIFICE	CHG TO 65	CHG TO 65	CHG TO 65	CHG TO 65	CHG TO 65	CHG TO 65
RATINGS (COOLING) ①							
BTUH (TOTAL)	27600	26600	27000	27800	28400	28000	29000
BTUH (SENSIBLE)	19900	17200	18200	18600	19900	19000	21200
INDOOR AIRFLOW (CFM)	1030	900	900	1000	1000	1050	1085
SYSTEM POWER (KW)	3.02	2.91	2.92	3.01	3.09	3.03	3.10
SEER (BTU/WATT-HR.)	10.00	10.00	10.05	10.10	10.00	10.05	10.05

	TXA037C4	TXA042C4	TXA043C4	TXC024C4	TXC024D4	TXC025C4	TXC025D4
EXPANSION TYPE	CHG TO 65	CHG TO 65	CHG TO 65	CHG TO 65	CHG TO 65	CHG TO 65	CHG TO 65
RATINGS (COOLING) ①							
BTUH (TOTAL)	29000	29400	29400	26600	26600	27000	27000
BTUH (SENSIBLE)	21200	21800	21800	17200	17200	18200	18200
INDOOR AIRFLOW (CFM)	1085	1095	1095	900	900	900	900
SYSTEM POWER (KW)	3.10	3.13	3.13	2.91	2.91	2.92	2.92
SEER (BTU/WATT-HR.)	10.05	10.10	10.10	10.00	10.00	10.05	10.05

*See pages 20 and 21 for combinations with Auxiliary Devices.

PRODUCT DATA

American Standard Inc., Tyler, TX 75711-9010

General Data — 7A0030A100A

CONDENSING UNIT WITH COOLING COILS

	TXC030C4	TXC030D4	TXC031C4	TXC031D4	TXC031E5	TXC035C4	TXC035D4
EXPANSION TYPE	CHG TO 65	CHG TO 65	CHG TO 65	CHG TO 65	TXV-B	CHG TO 65	CHG TO 65
RATINGS (COOLING) ①							
BTUH (TOTAL)	27800	27800	28400	28400	28800	28000	28000
BTUH (SENSIBLE)	18600	18600	19900	19900	20300	19000	19000
INDOOR AIRFLOW (CFM)	1000	1000	1000	1000	1000	1050	1050
SYSTEM POWER (KW)	3.01	3.01	3.09	3.09	3.03	3.03	3.03
SEER (BTU/WATT-HR.)	10.10	10.10	10.00	10.00	10.25	10.05	10.05

	TXC036C4	TXC036D4	TXC036E5	TXC037C4	TXC037E5	TXC042C4	TXC043C4
EXPANSION TYPE	CHG TO 65	CHG TO 65	TXV-B	CHG TO 65	TXV-B	CHG TO 65	CHG TO 65
RATINGS (COOLING) ①							
BTUH (TOTAL)	29000	29000	29800	29000	29800	29400	29400
BTUH (SENSIBLE)	21200	21200	22300	21200	22300	21800	21800
INDOOR AIRFLOW (CFM)	1085	1085	1110	1085	1110	1095	1095
SYSTEM POWER (KW)	3.10	3.10	3.12	3.10	3.12	3.13	3.13
SEER (BTU/WATT-HR.)	10.05	10.05	10.25	10.05	10.25	10.10	10.10

	TXH025A4	TXH033A4
EXPANSION TYPE	CHG TO 65	CHG TO 65
RATINGS (COOLING) ①		
BTUH (TOTAL)	26800	28200
BTUH (SENSIBLE)	17300	19600
INDOOR AIRFLOW (CFM)	900	1000
SYSTEM POWER (KW)	2.91	3.02
SEER (BTU/WATT-HR.)	10.00	10.15

CONDENSING UNIT WITH AIR HANDLERS

	TVF025A14	TVF030A14	TVF036A14	TWE024C14	TWE030C14	TWE036C14	TWE042C14
EXPANSION TYPE	CHG TO 65	CHG TO 65	CHG TO 65	CHG TO 65	CHG TO 65	CHG TO 65	CHG TO 65
RATINGS (COOLING) ①							
BTUH (TOTAL)	27600	28600	29400	26200	27400	28600	28800
BTUH (SENSIBLE)	19100	20700	22400	17100	18700	20200	21000
INDOOR AIRFLOW (CFM)	900	1000	1100	900	950	1070	1080
SYSTEM POWER (KW)	2.98	3.04	3.18	2.90	2.96	3.09	3.11
SEER (BTU/WATT-HR.)	10.20	10.40	10.15	10.00	10.20	10.20	10.20

	TWG025A14	TWG030A14	TWG036A14
EXPANSION TYPE	CHG TO 65	CHG TO 65	CHG TO 65
RATINGS (COOLING) ①			
BTUH (TOTAL)	26000	27200	28400
BTUH (SENSIBLE)	17300	18500	20000
INDOOR AIRFLOW (CFM)	900	1000	1060
SYSTEM POWER (KW)	2.77	2.94	3.09
SEER (BTU/WATT-HR.)	10.00	10.05	10.00

CONDENSING UNIT WITH FURNACES & COILS

	ADD080R9V3 +TXC031E5	ADD080R9V3 +TXC036E5	ADD100R9V5 +TXC037E5	ADD100R9V5 +TXC054E5	AUD080R9V3 +TXC031E5	AUD080R9V3 +TXC036E5	AUD100R9V5 +TXC037E5
EXPANSION TYPE	TXV-B	TXV-B	TXV-B	TXV-B	TXV-B	TXV-B	TXV-B
RATINGS (COOLING) ①							
BTUH (TOTAL)	29000	29600	30000	29800	29200	29800	30000
BTUH (SENSIBLE)	20200	20900	21500	21600	20600	21400	21600
INDOOR AIRFLOW (CFM)	950	950	975	975	975	1000	1000
SYSTEM POWER (KW)	2.84	2.86	2.86	2.84	2.88	2.89	2.87
SEER (BTU/WATT-HR.)	10.80	10.90	10.90	10.90	10.80	10.90	10.90

*See pages 20 and 21 for combinations with Auxiliary Devices.

General Data — 7A0030A100A

CONDENSING UNIT WITH FURNACES & COILS

	AUD100R9V5 +TXC054E5	AUY080R9V3 +TXC031E5	AUY080R9V3 +TXC036E5	AUY100R9V4 +TXC037E5	AUY100R9V4 +TXC054E5
EXPANSION TYPE	TXV-B	TXV-B	TXV-B	TXV-B	TXV-B
RATINGS (COOLING) ①					
BTUH (TOTAL)	29800	29200	29800	30000	29800
BTUH (SENSIBLE)	21700	20700	21400	21600	21700
INDOOR AIRFLOW (CFM)	1000	1000	1000	1000	1000
SYSTEM POWER (KW)	2.88	2.92	2.94	2.87	2.87
SEER (BTU/WATT-HR.)	10.90	10.75	10.75	10.90	10.90

*See pages 20 and 21 for combinations with Auxiliary Devices.

PRODUCT DATA

American Standard Inc., Tyler, TX 75711-9010

General Data — 7A0036A100A

OUTDOOR UNIT ①②	7A0036A100A
POWER CONNS. — V/PH/Hz ③	200/230/1/60
MIN. BRCH. CIR. AMPACITY	22
BR. CIR. } MAX. (AMPS)	35
PROT. RTG. } MIN. (AMPS)	30
NOISE RATING (DECIBELS) ②	78
COMPRESSOR	DURATION™
NO. USED - NO. SPEEDS	1 - 1
VOLTS/PH/Hz	200/230/1/60
R.L. AMPS ⑦ - L.R. AMPS	16.4 - 88
FACTORY INSTALLED	
START COMPONENTS ⑧	NO
INSULATION/SOUND BLANKET	NO
COMPRESSOR HEAT	YES
OUTDOOR FAN — TYPE	PROPELLER
DIA. (IN.) - NO. USED	18 - 1
TYPE DRIVE - NO. SPEEDS	DIRECT - 1
CFM @ 0.0 IN. W.G. ④	2792
NO. MOTORS - HP	1 - 1/4
MOTOR SPEED R.P.M.	1075
VOLTS/PH/Hz	200/230/1/60
F.L. AMPS	1.50
OUTDOOR COIL — TYPE	SPINE FIN™
ROWS - F.P.I.	1 - 24
FACE AREA (SQ. FT.)	14.83
TUBE SIZE (IN.)	3/8
REFRIGERANT	
LBS. — R-22 (O.D. UNIT) ⑤	5-LBS., 8-OZ.
FACTORY SUPPLIED	YES
LINE SIZE - IN. O.D. GAS ⑥	7/8
LINE SIZE - IN. O.D. LIQ. ⑥	3/8
FCCV	
RESTRICTOR ORIFICE SIZE	0.071
DIMENSIONS	H X W X D
OUTDOOR UNIT - CRATED (IN.)	31-1/2 X 31-1/2 X 27-5/8
UNCRATED	SEE OUTLINE DWG.
WEIGHT	
SHIPPING (LBS.)	193
NET (LBS.)	173

① CERTIFIED IN ACCORDANCE WITH THE UNITARY AIR-CONDITIONER EQUIPMENT CERTIFICATION PROGRAM, WHICH IS BASED ON A.R.I. STANDARD 210/240.

② RATED IN ACCORDANCE WITH A.R.I. STANDARD 270.



SPLIT SYSTEM

③ CALCULATED IN ACCORDANCE WITH NATL. ELECTRIC CODE. ONLY USE HACR CIRCUIT BREAKERS OR FUSES.

④ STANDARD AIR - DRY COIL - OUTDOOR

⑤ THIS VALUE APPROXIMATE. FOR MORE PRECISE VALUE SEE UNIT NAMEPLATE AND SERVICE INSTRUCTION.

⑥ MAX. LINEAR LENGTH: 80 FT WITH RECIPROCATING COMPRESSOR - 60 FT WITH SCROLL. MAX. LIFT - SUCTION 60 FT; MAX LIFT - LIQUID 60 FT. FOR GREATER LENGTH REFER TO REFRIGERANT PIPING SOFTWARE PUB. NO. 12-3312-01.

⑦ THE VALUE SHOWN FOR COMPRESSOR RLA ON THE UNIT NAMEPLATE AND ON THIS SPECIFICATION SHEET IS USED TO COMPUTE MINIMUM BRANCH CIRCUIT AMPACITY AND MAXIMUM FUSE SIZE. THE VALUE SHOWN IS THE BRANCH CIRCUIT SELECTION CURRENT.

⑧ NO MEANS NO START COMPONENTS.
YES MEANS QUICK START KIT COMPONENTS.
PTC MEANS POSITIVE TEMPERATURE COEFFICIENT STARTER.



CONDENSING UNIT WITH COOLING COILS

	CCBA36A4ACC	CCBB36A4ACC	CCBB42A4ACC	CUBA36A4ACC	CUBB36A4ACC	CUBB42A4ACC	TXA030C4
EXPANSION TYPE	FIXED ORIFICE	FIXED ORIFICE	FIXED ORIFICE	FIXED ORIFICE	FIXED ORIFICE	FIXED ORIFICE	CHG TO 71
RATINGS (COOLING) ①							
BTUH (TOTAL)	33800	34200	34200	33800	34200	34200	33800
BTUH (SENSIBLE)	21800	22800	23800	21800	22800	23800	21800
INDOOR AIRFLOW (CFM)	1100	1100	1200	1100	1100	1200	1100
SYSTEM POWER (KW)	3.61	3.64	3.68	3.61	3.64	3.68	3.61
SEER (BTU/WATT-HR.)	10.05	10.05	10.05	10.05	10.05	10.05	10.05

	TXA031C4	TXA035C4	TXA036C4	TXA037C4	TXA042C4	TXA043C4	TXA048C4
EXPANSION TYPE	CHG TO 71	FACT INS 71	FACT INS 71	FACT INS 71	CHG TO 71	CHG TO 71	CHG TO 71
RATINGS (COOLING) ①							
BTUH (TOTAL)	34200	33800	35600	35400	36000	36200	36800
BTUH (SENSIBLE)	22800	21800	24400	24300	25100	25900	26600
INDOOR AIRFLOW (CFM)	1100	1100	1200	1200	1250	1350	1350
SYSTEM POWER (KW)	3.64	3.61	3.83	3.73	3.79	3.83	3.85
SEER (BTU/WATT-HR.)	10.05	10.05	10.00	10.10	10.15	10.05	10.10

	TXA049C4	TXA050C4	TXC030C4	TXC030D4	TXC031C4	TXC031D4	TXC031E5
EXPANSION TYPE	CHG TO 71	CHG TO 71	CHG TO 71	CHG TO 71	CHG TO 71	CHG TO 71	TXV-B
RATINGS (COOLING) ①							
BTUH (TOTAL)	36800	36800	33800	33800	34200	34200	35200
BTUH (SENSIBLE)	26600	26600	21800	21800	22800	22800	23600
INDOOR AIRFLOW (CFM)	1350	1350	1100	1100	1100	1100	1100
SYSTEM POWER (KW)	3.85	3.85	3.61	3.61	3.64	3.64	3.65
SEER (BTU/WATT-HR.)	10.10	10.10	10.05	10.05	10.05	10.05	10.40

*See pages 21 and 22 for combinations with Auxiliary Devices.

General Data — 7A0036A100A

CONDENSING UNIT WITH COOLING COILS

	TXC035C4	TXC035D4	TXC036C4	TXC036D4	TXC036E5	TXC037C4	TXC037E5
EXPANSION TYPE	FACT INS 71	FACT INS 71	FACT INS 71	FACT INS 71	TXV-B	FACT INS 71	TXV-B
RATINGS (COOLING) ①							
BTUH (TOTAL)	33800	33800	35600	35600	36200	35400	36200
BTUH (SENSIBLE)	21800	21800	24400	24400	25100	24300	25100
INDOOR AIRFLOW (CFM)	1100	1100	1200	1200	1200	1200	1200
SYSTEM POWER (KW)	3.61	3.61	3.83	3.83	3.73	3.73	3.73
SEER (BTU/WATT-HR.)	10.05	10.05	10.00	10.00	10.40	10.10	10.40

	TXC042C4	TXC043C4	TXC048C4	TXC049C4	TXC050C4	TXC054E5	TXH033A4
EXPANSION TYPE	CHG TO 71	CHG TO 71	CHG TO 71	CHG TO 71	CHG TO 71	TXV-B	CHG TO 71
RATINGS (COOLING) ①							
BTUH (TOTAL)	36000	36200	36800	36800	36800	36600	34000
BTUH (SENSIBLE)	25100	25900	26600	26600	26600	26800	22800
INDOOR AIRFLOW (CFM)	1250	1350	1350	1350	1350	1350	1125
SYSTEM POWER (KW)	3.79	3.83	3.85	3.85	3.85	3.81	3.60
SEER (BTU/WATT-HR.)	10.15	10.05	10.10	10.10	10.10	10.25	10.15

CONDENSING UNIT W/COOLING COILS

	TXH041A4
EXPANSION TYPE	CHG TO 71
RATINGS (COOLING) ①	
BTUH (TOTAL)	36600
BTUH (SENSIBLE)	26100
INDOOR AIRFLOW (CFM)	1350
SYSTEM POWER (KW)	3.79
SEER (BTU/WATT-HR.)	10.25

CONDENSING UNIT W/AIR HANDLERS

	TVF030A14	TVF036A14	TWE030C14
EXPANSION TYPE	CHG TO 71	FACT INS 71	CHG TO 71
RATINGS (COOLING) ①			
BTUH (TOTAL)	34800	36000	32600
BTUH (SENSIBLE)	24000	25400	21000
INDOOR AIRFLOW (CFM)	1125	1200	950
SYSTEM POWER (KW)	3.74	3.83	3.49
SEER (BTU/WATT-HR.)	10.20	10.25	10.20

	TWE036C14	TWE042C14	TWE048C14-B	TWG030A14	TWG036A14	TWG037A14	TWG042A14
EXPANSION TYPE	FACT INS 71	CHG TO 71	CHG TO 71	CHG TO 71	FACT INS 71	FACT INS 71	CHG TO 71
RATINGS (COOLING) ①							
BTUH (TOTAL)	35200	35200	37000	32400	33800	34200	34600
BTUH (SENSIBLE)	23700	24100	26300	21100	22400	22900	24100
INDOOR AIRFLOW (CFM)	1200	1200	1350	1100	1150	1200	1295
SYSTEM POWER (KW)	3.74	3.74	3.94	3.45	3.69	3.62	3.68
SEER (BTU/WATT-HR.)	10.30	10.25	10.25	10.00	10.00	10.00	10.15

CONDENSING UNIT WITH FURNACES & COILS

	ADD080R9V3 +TXC031E5	ADD080R9V3 +TXC036E5	ADD100R9V5 +TXC037E5	ADD100R9V5 +TXC054E5	AUD080R9V3 +TXC031E5	AUD080R9V3 +TXC036E5	AUD100R9V5 +TXC037E5
EXPANSION TYPE	TXV-B	TXV-B	TXV-B	TXV-B	TXV-B	TXV-B	TXV-B
RATINGS (COOLING) ①							
BTUH (TOTAL)	35600	36400	36800	36600	35800	36400	36800
BTUH (SENSIBLE)	24000	24900	25600	25800	24500	25300	25700
INDOOR AIRFLOW (CFM)	1125	1125	1175	1175	1200	1200	1200
SYSTEM POWER (KW)	3.56	3.57	3.52	3.50	3.65	3.68	3.57
SEER (BTU/WATT-HR.)	10.90	10.90	10.90	10.90	10.85	10.90	10.90

	AUD100R9V5 +TXC054E5	AUY080R9V3 +TXC031E5	AUY080R9V3 +TXC036E5	AUY100R9V4 +TXC037E5	AUY100R9V4 +TXC054E5
EXPANSION TYPE	TXV-B	TXV-B	TXV-B	TXV-B	TXV-B
RATINGS (COOLING) ①					
BTUH (TOTAL)	36600	35200	36000	36400	36200
BTUH (SENSIBLE)	25800	23900	24900	25400	25600
INDOOR AIRFLOW (CFM)	1200	1150	1150	1175	1175
SYSTEM POWER (KW)	3.55	3.56	3.58	3.48	3.48
SEER (BTU/WATT-HR.)	10.90	10.80	10.90	10.90	10.90

*See pages 21 and 22 for combinations with Auxiliary Devices.

PRODUCT DATA

American Standard Inc., Tyler, TX 75711-9010

General Data — 7A0042A100A

OUTDOOR UNIT ①②	7A0042A100A
POWER CONNS. — V/PH/Hz ③	200/230/01/60
MIN. BRCH. CIR. AMPACITY	25
BR. CIR. } MAX. (AMPS)	40
PROT. RTG. } MIN. (AMPS)	40
NOISE RATING (DECIBELS) ②	80
COMPRESSOR	DURATION™
NO. USED - NO. SPEEDS	1 - 1
VOLTS/PH/Hz	200/230/1/60
R.L. AMPS ⑦ - L.R. AMPS	19.0 - 105
FACTORY INSTALLED	
START COMPONENTS ⑧	NO
INSULATION/SOUND BLANKET	NO
COMPRESSOR HEAT	NO
OUTDOOR FAN — TYPE	PROPELLER
DIA. (IN.) - NO. USED	18 - 1
TYPE DRIVE - NO. SPEEDS	DIRECT - 1
CFM @ 0.0 IN. W.G. ④	2685
NO. MOTORS - HP	1 - 1/4
MOTOR SPEED R.P.M.	1075
VOLTS/PH/Hz	200/230/1/60
F.L. AMPS	1.50
OUTDOOR COIL — TYPE	SPINE FIN™
ROWS - F.P.I.	1 - 24
FACE AREA (SQ. FT.)	12.47
TUBE SIZE (IN.)	3/8
REFRIGERANT	
LBS. — R-22 (O.D. UNIT) ⑤	5-LBS., 6-OZ.
FACTORY SUPPLIED	YES
LINE SIZE - IN. O.D. GAS ⑥	7/8
LINE SIZE - IN. O.D. LIQ. ⑥	3/8
FCCV	
RESTRICTOR ORIFICE SIZE	0.077
DIMENSIONS	H X W X D
OUTDOOR UNIT - CRATED (IN.)	27-3/8 X 31-1/2 X 27-5/8
UNCRATED	SEE OUTLINE DWG.
WEIGHT	
SHIPPING (LBS.)	212
NET (LBS.)	194

① CERTIFIED IN ACCORDANCE WITH THE UNITARY AIR-CONDITIONER EQUIPMENT CERTIFICATION PROGRAM, WHICH IS BASED ON A.R.I. STANDARD 210/240.

② RATED IN ACCORDANCE WITH A.R.I. STANDARD 270.



SPLIT SYSTEM

③ CALCULATED IN ACCORDANCE WITH NATL. ELECTRIC CODE. ONLY USE HACR CIRCUIT BREAKERS OR FUSES.

④ STANDARD AIR - DRY COIL - OUTDOOR

⑤ THIS VALUE APPROXIMATE. FOR MORE PRECISE VALUE SEE UNIT NAMEPLATE AND SERVICE INSTRUCTION.

⑥ MAX. LINEAR LENGTH: 80 FT WITH RECIPROCATING COMPRESSOR - 60 FT WITH SCROLL. MAX. LIFT - SUCTION 60 FT; MAX LIFT - LIQUID 60 FT. FOR GREATER LENGTH REFER TO REFRIGERANT PIPING SOFTWARE PUB. NO. 12-3312-01.

⑦ THE VALUE SHOWN FOR COMPRESSOR RLA ON THE UNIT NAMEPLATE AND ON THIS SPECIFICATION SHEET IS USED TO COMPUTE MINIMUM BRANCH CIRCUIT AMPACITY AND MAXIMUM FUSE SIZE. THE VALUE SHOWN IS THE BRANCH CIRCUIT SELECTION CURRENT.

⑧ NO MEANS NO START COMPONENTS.
YES MEANS QUICK START KIT COMPONENTS.
PTC MEANS POSITIVE TEMPERATURE COEFFICIENT STARTER.



CONDENSING UNIT WITH COOLING COILS

	CCBB42A4ACC	CCBB48A4ACC	CCBC48A4ACC	CUBB42A4ACC	CUBB48A4ACC	CUBC48A4ACC	TXA035C4
EXPANSION TYPE	FIXED ORIFICE	FIXED ORIFICE	FIXED ORIFICE	FIXED ORIFICE	FIXED ORIFICE	FIXED ORIFICE	CHG TO 77
RATINGS (COOLING) ①							
BTUH (TOTAL)	39000	39000	40500	39000	39000	40500	37200
BTUH (SENSIBLE)	25800	26300	28900	25800	26300	28900	23400
INDOOR AIRFLOW (CFM)	1200	1250	1505	1200	1250	1505	1100
SYSTEM POWER (KW)	4.22	4.24	4.45	4.22	4.24	4.45	4.09
SEER (BTU/WATT-HR.)	10.05	10.00	10.00	10.05	10.00	10.00	10.00

	TXA036C4	TXA037C4	TXA042C4	TXA043C4	TXA048C4	TXA049C4	TXA050C4
EXPANSION TYPE	CHG TO 77	CHG TO 77	CHG TO 77	CHG TO 77	CHG TO 77	CHG TO 77	CHG TO 77
RATINGS (COOLING) ①							
BTUH (TOTAL)	39000	40000	40000	40500	41000	41500	41500
BTUH (SENSIBLE)	25700	27100	26800	27900	28200	30000	30000
INDOOR AIRFLOW (CFM)	1200	1350	1250	1400	1350	1555	1555
SYSTEM POWER (KW)	4.22	4.32	4.30	4.38	4.39	4.49	4.49
SEER (BTU/WATT-HR.)	10.05	10.00	10.00	10.05	10.10	10.00	10.00

	TXA060C5	TXA061C5	TXC035C4	TXC035D4	TXC036C4	TXC036D4	TXC036E5
EXPANSION TYPE	TXV-B	TXV-B	CHG TO 77	CHG TO 77	CHG TO 77	CHG TO 77	TXV-B
RATINGS (COOLING) ①							
BTUH (TOTAL)	41500	42000	37200	37200	39000	39000	41000
BTUH (SENSIBLE)	30300	30600	23400	23400	25700	25700	28100
INDOOR AIRFLOW (CFM)	1555	1575	1100	1100	1200	1200	1350
SYSTEM POWER (KW)	4.46	4.47	4.09	4.09	4.22	4.22	4.34
SEER (BTU/WATT-HR.)	10.00	10.10	10.00	10.00	10.05	10.05	10.15

*See page 22 for combinations with Auxiliary Devices.

General Data — 7A0042A100A

CONDENSING UNIT WITH COOLING COILS

	TXC037C4	TXC037E5	TXC042C4	TXC043C4	TXC048C4	TXC049C4	TXC050C4
EXPANSION TYPE	CHG TO 77	TXV-B	CHG TO 77	CHG TO 77	CHG TO 77	CHG TO 77	CHG TO 77
RATINGS (COOLING) ①							
BTUH (TOTAL)	40000	41000	40000	40500	41000	41500	41500
BTUH (SENSIBLE)	27100	28100	26800	27900	28200	30000	30000
INDOOR AIRFLOW (CFM)	1350	1350	1250	1400	1350	1555	1555
SYSTEM POWER (KW)	4.32	4.34	4.30	4.38	4.39	4.49	4.49
SEER (BTU/WATT-HR.)	10.00	10.15	10.00	10.05	10.10	10.00	10.00

	TXC054E5	TXC060C5	TXC061C5	TXH033A4	TXH041A4	TXH054A4
EXPANSION TYPE	TXV-B	TXV-B	TXV-B	CHG TO 77	CHG TO 77	CHG TO 77
RATINGS (COOLING) ①						
BTUH (TOTAL)	41500	41500	42000	37600	41000	43500
BTUH (SENSIBLE)	30300	30300	30600	24400	28000	32400
INDOOR AIRFLOW (CFM)	1555	1555	1575	1125	1400	1575
SYSTEM POWER (KW)	4.46	4.46	4.47	4.13	4.39	4.63
SEER (BTU/WATT-HR.)	10.00	10.00	10.10	10.00	10.15	10.20

CONDENSING UNIT WITH AIR HANDLERS

	TWE036C14	TWE042C14	TWE048C14-B	TWE060A-B	TWG037A14	TWG042A14
EXPANSION TYPE	CHG TO 77	CHG TO 77	CHG TO 77	TXV-B	CHG TO 77	CHG TO 77
RATINGS (COOLING) ①						
BTUH (TOTAL)	39500	40000	42000	41500	38500	39000
BTUH (SENSIBLE)	26200	27100	29900	30100	25200	26400
INDOOR AIRFLOW (CFM)	1350	1350	1570	1550	1275	1400
SYSTEM POWER (KW)	4.39	4.37	4.59	4.32	4.25	4.33
SEER (BTU/WATT-HR.)	10.00	10.05	10.10	10.35	10.00	10.00

CONDENSING UNIT WITH FURNACES & COILS

	ADD080R9V3 +TXC036E5	ADD100R9V5 +TXC037E5	ADD100R9V5 +TXC054E5	AUD080R9V3 +TXC036E5	AUD100R9V5 +TXC037E5	AUD100R9V5 +TXC054E5	AUY100R9V4 +TXC037E5
EXPANSION TYPE	TXV-B	TXV-B	TXV-B	TXV-B	TXV-B	TXV-B	TXV-B
RATINGS (COOLING) ①							
BTUH (TOTAL)	41000	41500	41500	41000	41500	41000	41500
BTUH (SENSIBLE)	28000	28800	29200	28500	28900	28900	28700
INDOOR AIRFLOW (CFM)	1325	1400	1400	1400	1400	1400	1375
SYSTEM POWER (KW)	4.27	4.26	4.26	4.36	4.32	4.27	4.26
SEER (BTU/WATT-HR.)	10.60	10.85	10.80	10.35	10.60	10.60	10.65

	AUY100R9V4 +TXC054E5
EXPANSION TYPE	TXV-B
RATINGS (COOLING) ①	
BTUH (TOTAL)	41000
BTUH (SENSIBLE)	28700
INDOOR AIRFLOW (CFM)	1375
SYSTEM POWER (KW)	4.21
SEER (BTU/WATT-HR.)	10.60

*See page 22 for combinations with Auxiliary Devices.

PRODUCT DATA

American Standard Inc., Tyler, TX 75711-9010

General Data — 7A0048B100A

OUTDOOR UNIT ①②	7A0048B100A
POWER CONNS. — V/PH/Hz ③	208/230/01/60
MIN. BRCH. CIR. AMPACITY	30
BR. CIR. } MAX. (AMPS)	50
PROT. RTG. } MIN. (AMPS)	40
NOISE RATING (DECIBELS) ②	76
COMPRESSOR	DURATION™ - SCROLL
NO. USED - NO. SPEEDS	1 - 1
VOLTS/PH/Hz	208/230/1/60
R.L. AMPS ⑦ - L.R. AMPS	23.1 - 131
FACTORY INSTALLED	
START COMPONENTS ⑧	PTC
INSULATION/SOUND BLANKET	NO
COMPRESSOR HEAT	NO
OUTDOOR FAN — TYPE	PROPELLER
DIA. (IN.) - NO. USED	18 - 1
TYPE DRIVE - NO. SPEEDS	DIRECT - 1
CFM @ 0.0 IN. W.G. ④	2875
NO. MOTORS - HP	1 - 1/4
MOTOR SPEED R.P.M.	1075
VOLTS/PH/Hz	200/230/1/60
F.L. AMPS	1.50
OUTDOOR COIL — TYPE	SPINE FIN™
ROWS - F.P.I.	1 - 24
FACE AREA (SQ. FT.)	17.19
TUBE SIZE (IN.)	3/8
REFRIGERANT	
LBS. — R-22 (O.D. UNIT) ⑤	6-LBS., 1-OZ.
FACTORY SUPPLIED	YES
LINE SIZE - IN. O.D. GAS ⑥	1 1/8
LINE SIZE - IN. O.D. LIQ. ⑥	3/8
FCCV	
RESTRICTOR ORIFICE SIZE	0.083
DIMENSIONS	H X W X D
OUTDOOR UNIT - CRATED (IN.)	35-3/4 X 31-1/2 X 27-5/8
UNCRATED	SEE OUTLINE DWG.
WEIGHT	
SHIPPING (LBS.)	198
NET (LBS.)	177

① CERTIFIED IN ACCORDANCE WITH THE UNITARY AIR-CONDITIONER EQUIPMENT CERTIFICATION PROGRAM, WHICH IS BASED ON A.R.I. STANDARD 210/240.

② RATED IN ACCORDANCE WITH A.R.I. STANDARD 270.



SPLIT SYSTEM

③ CALCULATED IN ACCORDANCE WITH NATL. ELECTRIC CODE. ONLY USE HACR CIRCUIT BREAKERS OR FUSES.

④ STANDARD AIR - DRY COIL - OUTDOOR

⑤ THIS VALUE APPROXIMATE. FOR MORE PRECISE VALUE SEE UNIT NAMEPLATE AND SERVICE INSTRUCTION.

⑥ MAX. LINEAR LENGTH: 80 FT WITH RECIPROCATING COMPRESSOR - 60 FT WITH SCROLL. MAX. LIFT - SUCTION 60 FT; MAX LIFT - LIQUID 60 FT. FOR GREATER LENGTH REFER TO REFRIGERANT PIPING SOFTWARE PUB. NO. 12-3312-01.

⑦ THE VALUE SHOWN FOR COMPRESSOR RLA ON THE UNIT NAMEPLATE AND ON THIS SPECIFICATION SHEET IS USED TO COMPUTE MINIMUM BRANCH CIRCUIT AMPACITY AND MAXIMUM FUSE SIZE. THE VALUE SHOWN IS THE BRANCH CIRCUIT SELECTION CURRENT.

⑧ NO MEANS NO START COMPONENTS.
YES MEANS QUICK START KIT COMPONENTS.
PTC MEANS POSITIVE TEMPERATURE COEFFICIENT STARTER.



CONDENSING UNIT WITH COOLING COILS

	CCBB48A4ACC	CCBC48A4ACC	CCBC60A4ACC	CCBD60A5ACC	CUBB48A4ACC	CUBC48A4ACC	CUBC60A4ACC
EXPANSION TYPE	FIXED ORIFICE	FIXED ORIFICE	FIXED ORIFICE	TXV-B	FIXED ORIFICE	FIXED ORIFICE	FIXED ORIFICE
RATINGS (COOLING) ①							
BTUH (TOTAL)	44500	46500	46000	47500	44500	46500	46000
BTUH (SENSIBLE)	28700	31600	32400	34300	28700	31600	32400
INDOOR AIRFLOW (CFM)	1250	1600	1675	1780	1250	1600	1675
SYSTEM POWER (KW)	4.76	5.00	4.97	5.05	4.76	5.00	4.97
SEER (BTU/WATT-HR.)	10.00	10.05	10.00	10.10	10.00	10.05	10.00

	CUBD60A5ACC	TXA042C4	TXA043C4	TXA048C4	TXA049C4	TXA050C4	TXA060C5
EXPANSION TYPE	TXV-B	CHG TO 83	CHG TO 83	FACT INS 83	FACT INS 83	FACT INS 83	TXV-B
RATINGS (COOLING) ①							
BTUH (TOTAL)	47500	44500	46000	46000	47500	47500	47500
BTUH (SENSIBLE)	34300	28700	31200	30300	32700	32700	33600
INDOOR AIRFLOW (CFM)	1780	1250	1575	1350	1600	1600	1700
SYSTEM POWER (KW)	5.05	4.76	4.95	4.89	5.16	5.16	5.05
SEER (BTU/WATT-HR.)	10.10	10.15	10.05	10.15	10.00	10.55	10.15

	TXA061C5	TXC042C4	TXC043C4	TXC048C4	TXC049C4	TXC050C4	TXC054E5
EXPANSION TYPE	TXV-B	CHG TO 83	CHG TO 83	FACT INS 83	FACT INS 83	FACT INS 83	TXV-B
RATINGS (COOLING) ①							
BTUH (TOTAL)	48000	44500	46000	46000	47500	47500	47000
BTUH (SENSIBLE)	34400	28700	31200	30300	32700	32700	32600
INDOOR AIRFLOW (CFM)	1800	1250	1575	1350	1600	1600	1600
SYSTEM POWER (KW)	5.08	4.76	4.95	4.89	5.16	5.16	4.97
SEER (BTU/WATT-HR.)	10.20	10.15	10.05	10.15	10.00	10.55	10.15

*See pages 22 and 23 for combinations with Auxiliary Devices.

General Data — 7A0048B100A

CONDENSING UNIT WITH COOLING COILS

	TXC054S3	TXC060C5	TXC061C5	TXC065S3	TXH041A4	TXH054A4	TXH063P3
EXPANSION TYPE	TXV-NB	TXV-B	TXV-B	TXV-NB	CHG TO 83	FACT INS 83	TXV-NB
RATINGS (COOLING) ①							
BTUH (TOTAL)	47000	47500	48000	48500	47000	49000	49500
BTUH (SENSIBLE)	33300	33600	34400	35300	31600	34400	37000
INDOOR AIRFLOW (CFM)	1700	1700	1800	1800	1575	1600	1800
SYSTEM POWER (KW)	5.00	5.05	5.08	5.11	5.00	5.10	5.13
SEER (BTU/WATT-HR.)	10.50	10.15	10.20	10.65	10.20	10.30	10.80

CONDENSING UNIT WITH AIR HANDLERS

	TWE040E13	TWE042C14-B	TWE042P13	TWE048C14-B	TWE048P13	TWE060C15-C/D	TWE060P13
EXPANSION TYPE	TXV-NB	CHG TO 83	TXV-NB	FACT INS 83	TXV-NB	TXV-B	TXV-NB
RATINGS (COOLING) ①							
BTUH (TOTAL)	48000	46000	46500	47500	49000	47500	49500
BTUH (SENSIBLE)	33000	30500	31500	32200	35000	33800	37200
INDOOR AIRFLOW (CFM)	1425	1575	1575	1600	1600	1780	1800
SYSTEM POWER (KW)	4.80	5.08	5.03	5.11	5.10	5.31	5.18
SEER (BTU/WATT-HR.)	10.90	10.00	10.30	10.25	10.70	10.00	10.60

	TWE063P13	TWE065E13	TWG042A14	TWG048A14	TWG060A15
EXPANSION TYPE	TXV-NB	TXV-NB	CHG TO 83	FACT INS 83	TXV-B
RATINGS (COOLING) ①					
BTUH (TOTAL)	49500	49000	44000	47000	47500
BTUH (SENSIBLE)	37300	33600	28900	31600	33900
INDOOR AIRFLOW (CFM)	1800	1375	1475	1600	1780
SYSTEM POWER (KW)	5.35	4.73	4.89	5.08	5.19
SEER (BTU/WATT-HR.)	10.25	10.90	10.00	10.25	10.05

CONDENSING UNIT WITH FURNACES & COILS

	ADD100R9V5 +TXC054E5	ADD100R9V5 +TXC054S3	ADD100R9V5 +TXH063P3	ADD120R9V5 +TXH063P3	AUD100R9V5 +TXC054E5	AUD100R9V5 +TXC054S3	AUD100R9V5 +TXC065S3
EXPANSION TYPE	TXV-B	TXV-NB	TXV-NB	TXV-NB	TXV-B	TXV-NB	TXV-NB
RATINGS (COOLING) ①							
BTUH (TOTAL)	47000	47000	49500	50000	47000	47000	48000
BTUH (SENSIBLE)	32900	32900	35500	36200	33200	33200	32300
INDOOR AIRFLOW (CFM)	1625	1625	1600	1625	1675	1675	1400
SYSTEM POWER (KW)	4.90	4.90	4.95	4.93	4.97	4.97	4.75
SEER (BTU/WATT-HR.)	10.70	10.70	10.90	10.90	10.50	10.50	10.90

	AUD100R9V5H +TXH063P3	AUD140R9V5 +TXC065S3	AUD140R9V5H +TXH063P3	AUY100R9V4 +TXC054E5	AUY100R9V4 +TXC054S3	AUY120R9V5 +TXC065S3
EXPANSION TYPE	TXV-NB	TXV-NB	TXV-NB	TXV-B	TXV-NB	TXV-NB
RATINGS (COOLING) ①						
BTUH (TOTAL)	49000	46500	48500	47000	47000	48000
BTUH (SENSIBLE)	35000	30100	34200	32600	32600	33500
INDOOR AIRFLOW (CFM)	1600	1125	1550	1600	1600	1600
SYSTEM POWER (KW)	5.00	4.56	5.11	4.95	4.95	4.97
SEER (BTU/WATT-HR.)	10.90	10.90	10.60	10.50	10.55	10.75

†See pages 22 and 23 for combinations with Auxiliary Devices.

PRODUCT DATA

American Standard Inc., Tyler, TX 75711-9010

General Data — 7A0060B100A

OUTDOOR UNIT ①②	7A0060B100A
POWER CONNS. — V/PH/Hz ③	208/230/01/60
MIN. BRCH. CIR. AMPACITY	40
BR. CIR. } MAX. (AMPS)	60
PROT. RTG. } MIN. (AMPS)	50
NOISE RATING (DECIBELS) ②	79
COMPRESSOR	DURATION™ SCROLL
NO. USED - NO. SPEEDS	1 - 1
VOLTS/PH/Hz	208/230/1/60
R.L. AMPS ⑦ - L.R. AMPS	30.6 - 175
FACTORY INSTALLED START COMPONENTS ⑧	
INSULATION/SOUND BLANKET	NO
COMPRESSOR HEAT	YES
OUTDOOR FAN — TYPE	PROPELLER
DIA. (IN.) - NO. USED	22 - 1
TYPE DRIVE - NO. SPEEDS	DIRECT - 1
CFM @ 0.0 IN. W.G. ④	3884
NO. MOTORS - HP	1 - 1/4
MOTOR SPEED R.P.M.	825
VOLTS/PH/Hz	200/230/1/60
F.L. AMPS	1.90
OUTDOOR COIL — TYPE	SPINE FIN™
ROWS - F.P.I.	1 - 24
FACE AREA (SQ. FT.)	20.93
TUBE SIZE (IN.)	3/8
REFRIGERANT	
LBS. — R-22 (O.D. UNIT) ⑤	7-LBS., 12-OZ.
FACTORY SUPPLIED	YES
LINE SIZE - IN. O.D. GAS ⑥	1 1/8
LINE SIZE - IN. O.D. LIQ. ⑥	3/8
FCCV	
RESTRICTOR ORIFICE SIZE	0.092
DIMENSIONS	H X W X D
OUTDOOR UNIT - CRATED (IN.)	35-3/4 X 36-3/4 X 32-1/2
UNCRATED	SEE OUTLINE DWG.
WEIGHT	
SHIPPING (LBS.)	252
NET (LBS.)	229

① CERTIFIED IN ACCORDANCE WITH THE UNITARY AIR-CONDITIONER EQUIPMENT CERTIFICATION PROGRAM, WHICH IS BASED ON A.R.I. STANDARD 210/240.

② RATED IN ACCORDANCE WITH A.R.I. STANDARD 270.



SPLIT SYSTEM

③ CALCULATED IN ACCORDANCE WITH NATL. ELECTRIC CODE. ONLY USE HACR CIRCUIT BREAKERS OR FUSES.

④ STANDARD AIR - DRY COIL - OUTDOOR

⑤ THIS VALUE APPROXIMATE. FOR MORE PRECISE VALUE SEE UNIT NAMEPLATE AND SERVICE INSTRUCTION.

⑥ MAX. LINEAR LENGTH: 80 FT WITH RECIPROCATING COMPRESSOR - 60 FT WITH SCROLL. MAX. LIFT - SUCTION 60 FT; MAX LIFT - LIQUID 60 FT. FOR GREATER LENGTH REFER TO REFRIGERANT PIPING SOFTWARE PUB. NO. 12-3312-01.

⑦ THE VALUE SHOWN FOR COMPRESSOR RLA ON THE UNIT NAMEPLATE AND ON THIS SPECIFICATION SHEET IS USED TO COMPUTE MINIMUM BRANCH CIRCUIT AMPACITY AND MAXIMUM FUSE SIZE. THE VALUE SHOWN IS THE BRANCH CIRCUIT SELECTION CURRENT.

⑧ NO MEANS NO START COMPONENTS.
YES MEANS QUICK START KIT COMPONENTS.
PTC MEANS POSITIVE TEMPERATURE COEFFICIENT STARTER.



CONDENSING UNIT WITH COOLING COILS

	TXA060C5	TXA061C5	TXC054S3	TXC060C5	TXC061C5	TXC065S3	TXH054A4
EXPANSION TYPE	TXV-B	TXV-B	TXV-NB	TXV-B	TXV-B	TXV-NB	CHG TO 92
RATINGS (COOLING) ①							
BTUH (TOTAL)	57000	59500	56000	57000	59500	59500	60000
BTUH (SENSIBLE)	37500	39400	37000	37500	39400	40800	39800
INDOOR AIRFLOW (CFM)	1700	1800	1700	1700	1800	2000	1700
SYSTEM POWER (KW)	6.23	6.65	6.22	6.23	6.65	6.43	6.42
SEER (BTU/WATT-HR.)	10.00	10.00	10.20	10.00	10.00	10.40	10.15

TXH063P3

EXPANSION TYPE	TXV-NB
RATINGS (COOLING) ①	
BTUH (TOTAL)	61000
BTUH (SENSIBLE)	43100
INDOOR AIRFLOW (CFM)	2000
SYSTEM POWER (KW)	6.49
SEER (BTU/WATT-HR.)	10.55

CONDENSING UNIT WITH AIR HANDLERS

	TWE048C14-B	TWE048P13	TWE060C15-C/D	TWE060P13	TWE063P13	TWE065E13	TWE090A-B
EXPANSION TYPE	CHG TO 92	TXV-NB	TXV-B	TXV-NB	TXV-NB	TXV-NB	TXV-NB
RATINGS (COOLING) ①							
BTUH (TOTAL)	57500	60000	58000	60500	60500	61500	61500
BTUH (SENSIBLE)	37500	41000	38900	41300	41500	43000	44500
INDOOR AIRFLOW (CFM)	1800	1800	1950	1800	1825	1875	2250
SYSTEM POWER (KW)	6.46	6.42	6.63	6.47	6.65	6.41	6.28
SEER (BTU/WATT-HR.)	10.00	10.50	9.70	10.50	10.15	10.80	10.90

*See page 23 for combinations with Auxiliary Devices.

General Data — 7A0060B100A

CONDENSING UNIT WITH AIR HANDLERS

	TWG048A14	TWG060A15
EXPANSION TYPE	CHG TO 92	TXV-B
RATINGS (COOLING) ①		
BTUH (TOTAL)	56500	58500
BTUH (SENSIBLE)	36100	39400
INDOOR AIRFLOW (CFM)	1625	2000
SYSTEM POWER (KW)	6.28	6.57
SEER (BTU/WATT-HR.)	10.05	10.00

CONDENSING UNIT WITH FURNACES & COILS

	ADD100R9V5 +TXC054S3
EXPANSION TYPE	TXV-NB
RATINGS (COOLING) ①	
BTUH (TOTAL)	57500
BTUH (SENSIBLE)	39400
INDOOR AIRFLOW (CFM)	2000
SYSTEM POWER (KW)	6.39
SEER (BTU/WATT-HR.)	10.10

*See page 23 for combinations with Auxiliary Devices.

PRODUCT DATA

American Standard Inc., Tyler, TX 75711-9010

Ratings with Auxiliary Devices

COMBINATIONS WITH FAN DELAY RELAY KIT AND/OR TXV KIT AND/OR INSULATION KIT

*When these models are matched with an indoor air handler or coil that has a flow control check valve or expansion valve flow control, the addition of an indoor fan delay relay kit and/or TXV kit may increase the system SEER. See charts below for ratings.

OUTDOOR MODEL	INDOOR MODEL	FAN DELAY KIT	TXV KIT	CFM	SEER	COOLING CAPACITY
7A0018A100A	CCBA18A4ACC	Y	N	600	10.30	17200
7A0018A100A	CCBA24A4ACC	Y	N	640	10.80	17100
7A0018A100A	CUBA18A4ACC	Y	N	600	10.30	17200
7A0018A100A	CUBA24A4ACC	Y	N	640	10.80	17100
7A0018A100A	*TWE030P13	N	N	675	10.80	18000
7A0018A100A	*TWE031E13	N	N	650	10.90	18200
7A0018A100A	TXA018C4	Y	N	600	10.30	17200
7A0018A100A	TXA024C4	Y	N	645	10.50	17300
7A0018A100A	TXA025C4	Y	N	660	10.55	17600
7A0018A100A	TXC018C4	Y	N	600	10.30	17200
7A0018A100A	TXC024C4	Y	N	645	10.50	17300
7A0018A100A	TXC024D4	Y	N	645	10.50	17300
7A0018A100A	TXC025C4	Y	N	660	10.55	17600
7A0018A100A	TXC025D4	Y	N	660	10.55	17600
7A0018A100A	*TXC031S3	N	N	675	10.90	18200
7A0018A100A	TXH025A4	Y	N	670	10.85	17900
7A0018A100A	TXH025A4	Y	Y	660	10.90	17700
7A0024A100A	CCBA24A4ACC	Y	N	800	10.20	22400
7A0024A100A	CCBA30A4ACC	Y	N	815	10.20	21800
7A0024A100A	CCBB30A4ACC	Y	N	840	10.35	22400
7A0024A100A	CUBA24A4ACC	Y	N	800	10.20	22400
7A0024A100A	CUBA30A4ACC	Y	N	815	10.20	21800
7A0024A100A	CUBB30A4ACC	Y	N	840	10.35	22400
7A0024A100A	*ADD080R9V3 +TXC031S3	-	N	775	10.80	23800
7A0024A100A	*ADD080R9V3 +TXC036S3	-	N	775	10.90	24400
7A0024A100A	*ADD100R9V5 +TXC037S3	-	N	800	10.90	24400
7A0024A100A	*AUD080R9V3 +TXC031S3	-	N	800	10.80	23800
7A0024A100A	*AUD080R9V3 +TXC036S3	-	N	825	10.90	24400
7A0024A100A	*AUD100R9V5 +TXC037S3	-	N	800	10.90	24400
7A0024A100A	TVF018A14	-	Y	675	10.50	22200
7A0024A100A	TVF024A14	-	Y	800	10.50	22600
7A0024A100A	*TWE018P13	N	N	675	10.60	23200
7A0024A100A	*TWE024P13	N	N	800	10.70	23800
7A0024A100A	*TWE030P13	N	N	875	10.70	23400
7A0024A100A	*TWE031E13	N	N	825	10.80	23600
7A0024A100A	TWE036C14	-	Y	870	10.35	23200
7A0024A100A	*TWE036P13	N	N	875	10.55	23400
7A0024A100A	*TWE037E13	N	N	800	10.85	24600
7A0024A100A	*TWE040E13	N	N	875	10.90	25400
7A0024A100A	TXA018C4	Y	N	675	10.20	21200
7A0024A100A	TXA024C4	Y	N	800	10.20	23000
7A0024A100A	TXA025C4	Y	N	800	10.35	22600
7A0024A100A	TXA025C4	Y	Y	800	10.50	22200
7A0024A100A	TXA030C4	Y	N	870	10.35	23200
7A0024A100A	TXA030C4	Y	Y	855	10.50	22800

OUTDOOR MODEL	INDOOR MODEL	FAN DELAY KIT	TXV KIT	CFM	SEER	COOLING CAPACITY
7A0024A100A	TXA031C4	Y	N	875	10.50	23400
7A0024A100A	TXA035C4	Y	N	870	10.50	23200
7A0024A100A	TXA036C4	Y	N	890	10.50	23800
7A0024A100A	TXA037C4	Y	N	890	10.50	23800
7A0024A100A	TXC018C4	Y	N	675	10.20	21200
7A0024A100A	TXC024C4	Y	N	800	10.20	23000
7A0024A100A	TXC024D4	Y	N	800	10.20	23000
7A0024A100A	TXC025C4	Y	N	800	10.35	22600
7A0024A100A	TXC025C4	Y	Y	800	10.50	22200
7A0024A100A	TXC025D4	Y	N	800	10.35	22600
7A0024A100A	TXC025D4	Y	Y	800	10.50	22200
7A0024A100A	TXC030C4	Y	N	870	10.35	23200
7A0024A100A	TXC030C4	Y	Y	855	10.50	22800
7A0024A100A	TXC030D4	Y	N	870	10.35	23200
7A0024A100A	TXC030D4	Y	Y	855	10.50	22800
7A0024A100A	TXC031C4	Y	N	875	10.50	23400
7A0024A100A	TXC031D4	Y	N	875	10.50	23400
7A0024A100A	TXC031E5	Y	N	890	10.75	23800
7A0024A100A	*TXC031S3	N	N	890	10.80	23800
7A0024A100A	TXC035C4	Y	N	870	10.50	23200
7A0024A100A	TXC035D4	Y	N	870	10.50	23200
7A0024A100A	TXC036C4	Y	N	890	10.50	23800
7A0024A100A	TXC036D4	Y	N	890	10.50	23800
7A0024A100A	TXC036E5	Y	N	900	10.85	24200
7A0024A100A	*TXC036S3	N	N	900	10.90	24200
7A0024A100A	TXC037C4	Y	N	890	10.50	23800
7A0024A100A	TXC037E5	Y	N	900	10.85	24200
7A0024A100A	*TXC037S3	N	N	900	10.90	24200
7A0024A100A	TXH025A4	Y	N	800	10.35	23200
7A0024A100A	TXH025A4	Y	Y	800	10.50	22800
7A0024A100A	TXH033A4	Y	N	900	10.50	24400
7A0030A100A	CCBA30A4ACC	Y	N	950	10.15	26600
7A0030A100A	CCBA36A4ACC	Y	N	1020	10.25	27400
7A0030A100A	CCBB30A4ACC	Y	N	1000	10.35	27800
7A0030A100A	CCBB36A4ACC	Y	N	1030	10.25	27600
7A0030A100A	CUBA30A4ACC	Y	N	950	10.15	26600
7A0030A100A	CUBA36A4ACC	Y	N	1020	10.25	27400
7A0030A100A	CUBB30A4ACC	Y	N	1000	10.35	27800
7A0030A100A	CUBB36A4ACC	Y	N	1030	10.25	27600
7A0030A100A	*ADD080R9V3 +TXC031S3	-	N	950	10.80	29000
7A0030A100A	*ADD080R9V3 +TXC036S3	-	N	950	10.90	29600
7A0030A100A	*ADD100R9V5 +TXC037S3	-	N	975	10.90	30000
7A0030A100A	*ADD100R9V5 +TXC054S3	-	N	975	10.90	29800
7A0030A100A	*AUD080R9V3 +TXC031S3	-	N	975	10.80	29200
7A0030A100A	*AUD080R9V3 +TXC036S3	-	N	1000	10.90	29800

* START KIT REQUIRED

DATA SUBJECT TO CHANGE WITHOUT NOTICE

Ratings with Auxiliary Devices

COMBINATIONS WITH FAN DELAY RELAY KIT AND/OR TXV KIT AND/OR INSULATION KIT

*When these models are matched with an indoor air handler or coil that has a flow control check valve or expansion valve flow control, the addition of an indoor fan delay relay kit and/or TXV kit may increase the system SEER. See charts below for ratings.

OUTDOOR MODEL	INDOOR MODEL	FAN DELAY KIT	TXV KIT	CFM	SEER	COOLING CAPACITY
7A0030A100A	*AUD100R9V5+TXC037S3	-	N	1000	10.90	30000
7A0030A100A	*AUD100R9V5+TXC054S3	-	N	1000	10.90	29800
7A0030A100A	TVF030A14	-	Y	1000	10.50	28400
7A0030A100A	*TWE024P13	N	N	900	10.30	27600
7A0030A100A	*TWE030P13	N	N	950	10.55	28000
7A0030A100A	*TWE031E13	N	N	1025	10.80	28600
7A0030A100A	*TWE036P13	N	N	1070	10.35	28600
7A0030A100A	*TWE037E13	N	N	1000	10.85	29200
7A0030A100A	*TWE040E13	N	N	1050	10.90	30800
7A0030A100A	*TWE042P13	N	N	1100	10.35	29400
7A0030A100A	TXA024C4	Y	N	900	10.20	26600
7A0030A100A	TXA025C4	Y	N	900	10.30	27000
7A0030A100A	TXA030C4	Y	N	1000	10.35	27800
7A0030A100A	TXA031C4	Y	N	1000	10.20	28400
7A0030A100A	TXA035C4	Y	N	1050	10.30	28000
7A0030A100A	TXA036C4	Y	N	1085	10.40	29000
7A0030A100A	TXA036C4	Y	Y	1070	10.50	28600
7A0030A100A	TXA037C4	Y	N	1085	10.40	29000
7A0030A100A	TXA037C4	Y	Y	1070	10.50	28600
7A0030A100A	TXA042C4	Y	N	1095	10.40	29400
7A0030A100A	TXA042C4	Y	Y	1075	10.50	28800
7A0030A100A	TXA043C4	Y	N	1095	10.40	29400
7A0030A100A	TXA043C4	Y	Y	1075	10.50	28800
7A0030A100A	TXC024C4	Y	N	900	10.20	26600
7A0030A100A	TXC024D4	Y	N	900	10.20	26600
7A0030A100A	TXC025C4	Y	N	900	10.30	27000
7A0030A100A	TXC025D4	Y	N	900	10.30	27000
7A0030A100A	TXC030C4	Y	N	1000	10.35	27800
7A0030A100A	TXC030D4	Y	N	1000	10.35	27800
7A0030A100A	TXC031C4	Y	N	1000	10.20	28400
7A0030A100A	TXC031D4	Y	N	1000	10.20	28400
7A0030A100A	TXC031E5	Y	N	1000	10.60	28800
7A0030A100A	*TXC031S3	N	N	1000	10.60	28800
7A0030A100A	TXC035C4	Y	N	1050	10.30	28000
7A0030A100A	TXC035D4	Y	N	1050	10.30	28000
7A0030A100A	TXC036C4	Y	N	1085	10.40	29000
7A0030A100A	TXC036C4	Y	Y	1070	10.50	28600
7A0030A100A	TXC036D4	Y	N	1085	10.40	29000
7A0030A100A	TXC036D4	Y	Y	1070	10.50	28600
7A0030A100A	TXC036E5	Y	N	1110	10.65	29800
7A0030A100A	*TXC036S3	N	N	1110	10.70	29800
7A0030A100A	TXC037C4	Y	N	1085	10.40	29000
7A0030A100A	TXC037C4	Y	Y	1070	10.50	28600
7A0030A100A	TXC037E5	Y	N	1110	10.65	29800
7A0030A100A	*TXC037S3	N	N	1110	10.70	29800
7A0030A100A	TXC042C4	Y	N	1095	10.40	29400
7A0030A100A	TXC042C4	Y	Y	1075	10.50	28800

OUTDOOR MODEL	INDOOR MODEL	FAN DELAY KIT	TXV KIT	CFM	SEER	COOLING CAPACITY
7A0030A100A	TXC043C4	Y	N	1095	10.40	29400
7A0030A100A	TXC043C4	Y	Y	1075	10.50	28800
7A0030A100A	TXH025A4	Y	N	900	10.25	26800
7A0030A100A	TXH033A4	Y	N	1000	10.40	28200
7A0030A100A	TXH033A4	Y	Y	1000	10.50	28000
7A0036A100A	CCBA36A4ACC	Y	N	1100	10.30	33800
7A0036A100A	CCBB36A4ACC	Y	N	1100	10.35	34200
7A0036A100A	CCBB42A4ACC	Y	N	1200	10.40	34200
7A0036A100A	CUBA36A4ACC	Y	N	1100	10.30	33800
7A0036A100A	CUBB36A4ACC	Y	N	1100	10.35	34200
7A0036A100A	CUBB42A4ACC	Y	N	1200	10.40	34200
7A0036A100A	*ADD080R9V3+TXC031S3	-	N	1125	10.90	35600
7A0036A100A	*ADD080R9V3+TXC036S3	-	N	1125	10.90	36400
7A0036A100A	*ADD100R9V5+TXC037S3	-	N	1175	10.90	36800
7A0036A100A	*ADD100R9V5+TXC054S3	-	N	1175	10.90	36600
7A0036A100A	*AUD080R9V3+TXC031S3	-	N	1200	10.80	35800
7A0036A100A	*AUD080R9V3+TXC036S3	-	N	1200	10.90	36400
7A0036A100A	*AUD100R9V5+TXC037S3	-	N	1200	10.90	36800
7A0036A100A	*AUD100R9V5+TXC054S3	-	N	1200	10.90	36600
7A0036A100A	*TWE030P13	N	N	950	10.55	33400
7A0036A100A	*TWE031E13	N	N	1050	10.80	34400
7A0036A100A	TWE036C14	-	Y	1200	10.50	34600
7A0036A100A	*TWE036P13	N	N	1200	10.55	35200
7A0036A100A	*TWE037E13	N	N	1200	10.85	35600
7A0036A100A	*TWE040E13	N	N	1275	10.90	38000
7A0036A100A	*TWE042P13	N	N	1350	10.60	36400
7A0036A100A	*TWE048P13	N	N	1350	10.90	37000
7A0036A100A	TXA030C4	Y	N	1100	10.35	33800
7A0036A100A	TXA031C4	Y	N	1100	10.35	34200
7A0036A100A	TXA035C4	Y	N	1100	10.30	33800
7A0036A100A	TXA035C4	Y	Y	1100	10.50	33600
7A0036A100A	TXA036C4	Y	N	1200	10.25	35600
7A0036A100A	TXA037C4	Y	N	1200	10.50	35400
7A0036A100A	TXA042C4	Y	N	1250	10.50	36000
7A0036A100A	TXA043C4	Y	N	1350	10.40	36200
7A0036A100A	TXA043C4	Y	Y	1340	10.55	35800
7A0036A100A	TXA048C4	Y	N	1350	10.50	36800
7A0036A100A	TXA049C4	Y	N	1350	10.50	36800
7A0036A100A	TXA050C4	Y	N	1350	10.50	36800
7A0036A100A	TXC030C4	Y	N	1100	10.35	33800
7A0036A100A	TXC030D4	Y	N	1100	10.35	33800
7A0036A100A	TXC031C4	Y	N	1100	10.35	34200
7A0036A100A	TXC031D4	Y	N	1100	10.35	34200

* START KIT REQUIRED

DATA SUBJECT TO CHANGE WITHOUT NOTICE

PRODUCT DATA

American Standard Inc., Tyler, TX 75711-9010

Ratings with Auxiliary Devices

COMBINATIONS WITH FAN DELAY RELAY KIT AND/OR TXV KIT AND/OR INSULATION KIT

*When these models are matched with an indoor air handler or coil that has a flow control check valve or expansion valve flow control, the addition of an indoor fan delay relay kit and/or TXV kit may increase the system SEER. See charts below for ratings.

OUTDOOR MODEL	INDOOR MODEL	FAN DELAY KIT	TXV KIT	CFM	SEER	COOLING CAPACITY
7A0036A100A	TXC031E5	Y	N	1100	10.70	35200
7A0036A100A	TXC035C4	Y	N	1100	10.30	33800
7A0036A100A	TXC035C4	Y	Y	1100	10.50	33600
7A0036A100A	TXC035D4	Y	N	1100	10.30	33800
7A0036A100A	TXC035D4	Y	Y	1100	10.50	33600
7A0036A100A	TXC036C4	Y	N	1200	10.25	35600
7A0036A100A	TXC036D4	Y	N	1200	10.25	35600
7A0036A100A	TXC036E5	Y	N	1200	10.80	36200
7A0036A100A	*TXC036S3	N	N	1200	10.85	36200
7A0036A100A	TXC037C4	Y	N	1200	10.50	35400
7A0036A100A	TXC037E5	Y	N	1200	10.80	36200
7A0036A100A	*TXC037S3	N	N	1200	10.85	36200
7A0036A100A	TXC042C4	Y	N	1250	10.50	36000
7A0036A100A	TXC043C4	Y	N	1350	10.40	36200
7A0036A100A	TXC043C4	Y	Y	1340	10.55	35800
7A0036A100A	TXC048C4	Y	N	1350	10.50	36800
7A0036A100A	TXC049C4	Y	N	1350	10.50	36800
7A0036A100A	TXC050C4	Y	N	1350	10.50	36800
7A0036A100A	TXC054E5	Y	N	1350	10.65	36600
7A0036A100A	*TXC054S3	N	N	1350	10.75	36600
7A0036A100A	TXH033A4	Y	N	1125	10.50	34000
7A0036A100A	TXH041A4	Y	N	1350	10.60	36600
7A0042A100A	CCBB42A4ACC	Y	N	1200	10.25	39000
7A0042A100A	CCBB48A4ACC	Y	N	1250	10.25	39000
7A0042A100A	CCBC48A4ACC	Y	N	1505	10.20	40500
7A0042A100A	CUBB42A4ACC	Y	N	1200	10.25	39000
7A0042A100A	CUBB48A4ACC	Y	N	1250	10.25	39000
7A0042A100A	CUBC48A4ACC	Y	N	1505	10.20	40500
7A0042A100A	*ADD080R9V3 +TXC036S3	-	N	1325	10.60	41000
7A0042A100A	*ADD100R9V5 +TXC037S3	-	N	1400	10.80	41500
7A0042A100A	*ADD100R9V5 +TXC054S3	-	N	1400	10.80	41500
7A0042A100A	*ADD100R9V5 +TXH063P3	-	N	1400	10.80	43500
7A0042A100A	*ADD120R9V5 +TXH063P3	-	N	1400	10.90	43500
7A0042A100A	*AUD080R9V3 +TXC036S3	-	N	1400	10.35	41000
7A0042A100A	*AUD100R9V5 +TXC037S3	-	N	1400	10.60	41500
7A0042A100A	*AUD100R9V5 +TXC054S3	-	N	1400	10.60	41000
7A0042A100A	*AUD100R9V5 +TXC065S3	-	N	1450	10.80	42500
7A0042A100A	*AUD100R9V5H +TXH063P3	N	N	1400	10.90	43000
7A0042A100A	*AUD140R9V5 +TXC065S3	-	N	1375	10.90	42000
7A0042A100A	*AUD140R9V5H +TXH063P3	N	N	1300	10.90	43000

OUTDOOR MODEL	INDOOR MODEL	FAN DELAY KIT	TXV KIT	CFM	SEER	COOLING CAPACITY
7A0042A100A	*AUJ120R9V5 +TXC065S3	-	N	1400	10.90	42500
7A0042A100A	*TWE036P13	N	N	1350	10.00	40000
7A0042A100A	*TWE037E13	N	N	1400	10.65	40500
7A0042A100A	*TWE040E13	N	N	1225	10.80	42000
7A0042A100A	*TWE042P13	N	N	1400	10.25	41000
7A0042A100A	*TWE048P13	N	N	1575	10.20	42500
7A0042A100A	*TWE060P13	N	N	1575	10.35	43500
7A0042A100A	*TWE063P13	N	N	1575	10.10	43500
7A0042A100A	*TWE065E13	N	N	1450	10.90	44000
7A0042A100A	TXA035C4	Y	N	1100	10.10	37200
7A0042A100A	TXA036C4	Y	N	1200	10.30	39000
7A0042A100A	TXA037C4	Y	N	1350	10.25	40000
7A0042A100A	TXA042C4	Y	N	1250	10.35	40000
7A0042A100A	TXA043C4	Y	N	1400	10.30	40500
7A0042A100A	TXA048C4	Y	N	1350	10.35	41000
7A0042A100A	TXA049C4	Y	N	1555	10.25	41500
7A0042A100A	TXA050C4	Y	N	1555	10.25	41500
7A0042A100A	TXA060C5	Y	N	1555	10.30	41500
7A0042A100A	TXA061C5	Y	N	1575	10.40	42000
7A0042A100A	TXC035C4	Y	N	1100	10.10	37200
7A0042A100A	TXC035D4	Y	N	1100	10.10	37200
7A0042A100A	TXC036C4	Y	N	1200	10.30	39000
7A0042A100A	TXC036D4	Y	N	1200	10.30	39000
7A0042A100A	TXC036E5	Y	N	1350	10.50	41000
7A0042A100A	TXC037C4	Y	N	1350	10.25	40000
7A0042A100A	TXC037E5	Y	N	1350	10.50	41000
7A0042A100A	TXC042C4	Y	N	1250	10.35	40000
7A0042A100A	TXC043C4	Y	N	1400	10.30	40500
7A0042A100A	TXC048C4	Y	N	1350	10.35	41000
7A0042A100A	TXC049C4	Y	N	1555	10.25	41500
7A0042A100A	TXC050C4	Y	N	1555	10.25	41500
7A0042A100A	TXC054E5	Y	N	1555	10.30	41500
7A0042A100A	*TXC054S3	N	N	1555	10.30	41500
7A0042A100A	TXC060C5	Y	N	1555	10.30	41500
7A0042A100A	TXC061C5	Y	N	1575	10.40	42000
7A0042A100A	*TXC065S3	N	N	1575	10.50	42500
7A0042A100A	TXH033A4	Y	N	1125	10.15	37600
7A0042A100A	TXH041A4	Y	N	1400	10.40	41000
7A0042A100A	TXH041A4	Y	Y	1400	10.50	40500
7A0042A100A	TXH054A4	Y	N	1575	10.50	43500
7A0042A100A	*TXH063P3	N	N	1575	10.60	43500
7A0048B100A	CCBB48A4ACC	Y	N	1250	10.50	44500
7A0048B100A	CCBC48A4ACC	Y	N	1600	10.35	46500
7A0048B100A	CCBC60A4ACC	Y	N	1675	10.35	46000
7A0048B100A	CCBD60A5ACC	-	N	1780	10.40	47500
7A0048B100A	CUBB48A4ACC	Y	N	1250	10.50	44500
7A0048B100A	CUBC48A4ACC	Y	N	1600	10.35	46500
7A0048B100A	CUBC60A4ACC	Y	N	1675	10.35	46000

* START KIT REQUIRED

DATA SUBJECT TO CHANGE WITHOUT NOTICE

Ratings with Auxiliary Devices

COMBINATIONS WITH FAN DELAY RELAY KIT AND/OR TXV KIT AND/OR INSULATION KIT

*When these models are matched with an indoor air handler or coil that has a flow control check valve or expansion valve flow control, the addition of an indoor fan delay relay kit and/or TXV kit may increase the system SEER. See charts below for ratings.

OUTDOOR MODEL	INDOOR MODEL	FAN DELAY KIT	TXV KIT	CFM	SEER	COOLING CAPACITY
7A0048B100A	CUBD60A5ACC	Y	N	1780	10.40	47500
7A0048B100A	TXA042C4	Y	N	1250	10.50	44500
7A0048B100A	TXA043C4	Y	N	1575	10.35	46000
7A0048B100A	TXA048C4	Y	N	1350	10.50	46000
7A0048B100A	TXA049C4	Y	N	1600	10.60	47500
7A0048B100A	TXA050C4	Y	N	1600	10.60	47500
7A0048B100A	TXA060C5	Y	N	1700	10.50	47500
7A0048B100A	TXA061C5	Y	N	1800	10.55	48000
7A0048B100A	TXC042C4	Y	N	1250	10.50	44500
7A0048B100A	TXC043C4	Y	N	1575	10.35	46000
7A0048B100A	TXC048C4	Y	N	1350	10.50	46000
7A0048B100A	TXC049C4	Y	N	1600	10.60	47500
7A0048B100A	TXC050C4	Y	N	1600	10.60	47500
7A0048B100A	TXC054E5	Y	N	1600	10.50	47000
7A0048B100A	TXC060C5	Y	N	1700	10.50	47500
7A0048B100A	TXC061C5	Y	N	1800	10.55	48000
7A0048B100A	TXH041A4	Y	N	1575	10.50	47000
7A0048B100A	TXH054A4	Y	N	1600	10.65	49000

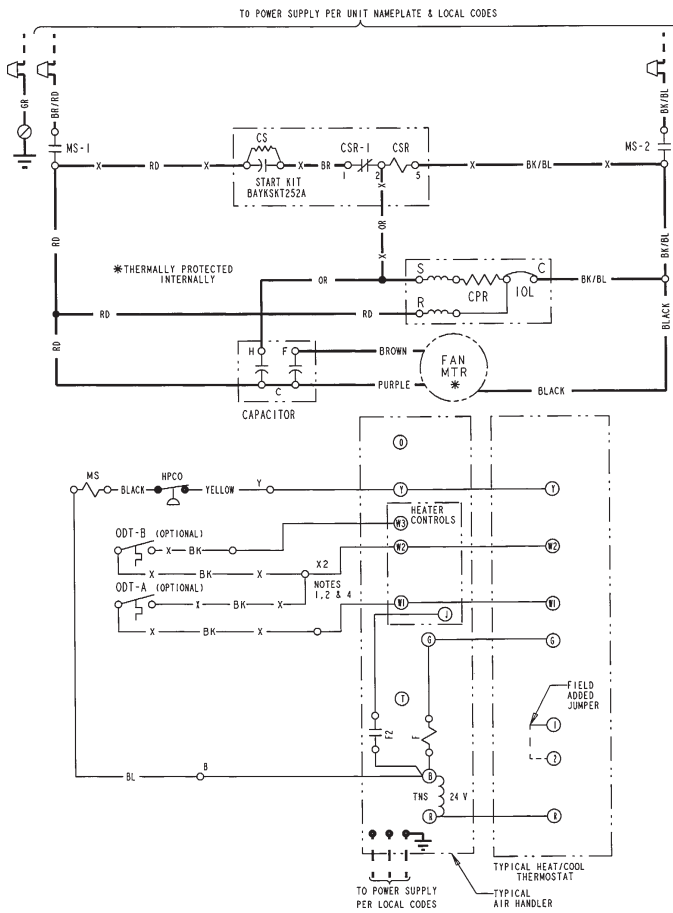
OUTDOOR MODEL	INDOOR MODEL	FAN DELAY KIT	TXV KIT	CFM	SEER	COOLING CAPACITY
7A0060B100A	CCBC60A4ACC	Y	N	1675	10.15	56500
7A0060B100A	CCBD60A5ACC	-	N	2000	10.20	58000
7A0060B100A	CUBC60A4ACC	Y	N	1675	10.15	56500
7A0060B100A	CUBD60A5ACC	Y	N	2000	10.20	58000
7A0060B100A	TXA048C4	Y	N	1350	10.10	54000
7A0060B100A	TXA049C4	Y	N	1675	10.15	56500
7A0060B100A	TXA050C4	Y	N	1675	10.15	56500
7A0060B100A	TXA060C5	Y	N	1700	10.20	57000
7A0060B100A	TXA061C5	Y	N	1800	10.40	59500
7A0060B100A	TXC048C4	Y	N	1350	10.10	54000
7A0060B100A	TXC049C4	Y	N	1675	10.15	56500
7A0060B100A	TXC050C4	Y	N	1675	10.15	56500
7A0060B100A	TXC054E5	Y	N	1700	10.20	56000
7A0060B100A	TXC060C5	Y	N	1700	10.20	57000
7A0060B100A	TXC061C5	Y	N	1800	10.40	59500
7A0060B100A	TXH054A4	Y	N	1700	10.50	60000

* START KIT REQUIRED

Typical Wiring

SCHEMATIC DIAGRAMS

7A0060B



NOTES:

1. IF ODT-B IS NOT USED, ADD JUMPER BETWEEN W2 & W3 AT AIR HANDLER.
2. IF ODT-A IS NOT USED, ADD JUMPER BETWEEN W1 & W2 AT AIR HANDLER.
3. LOW VOLTAGE (24 V.) FIELD WIRING MUST BE ISA.W.G. MIN.
4. PROVISIONS FOR OPTIONAL "ODT'S" WILL VARY DEPENDING ON UNIT SIZE.

<p>⚠ WARNING HAZARDOUS VOLTAGE! DISCONNECT ALL ELECTRIC POWER INCLUDING REMOTE DISCONNECTS BEFORE SERVICING. FAILURE TO DISCONNECT POWER BEFORE SERVICING CAN CAUSE SEVERE PERSONAL INJURY OR DEATH!</p>	<p>⚠ CAUTION USE COPPER CONDUCTORS ONLY! UNIT TERMINALS ARE NOT DESIGNED TO ACCEPT OTHER TYPES OF CONDUCTORS. FAILURE TO DO SO MAY CAUSE DAMAGE TO THE EQUIPMENT!</p>
---	--

LEGEND

- COLOR OF WIRE
 BK/BL BLACK WIRE WITH BLUE MARKER
 COLOR OF MARKER
 BK BLACK OR ORANGE YL YELLOW
 BL BLUE RD RED GR GREEN
 BR BROWN WH WHITE PR PURPLE

SYMBOLS

- 24 V. } FACTORY WIRING
- LINE V. } FACTORY WIRING
- 24 V. } FIELD WIRING
- LINE V. } FIELD WIRING
- X - FIELD INSTALLED FACTORY WIRING
- GROUND
- JUNCTION
- WIRE NUT OR CONNECTOR
- COIL
- CAPACITOR
- RELAY CONTACT (N.O.)
- RELAY CONTACT (N.C.)
- INTERNAL OVERLOAD PROTECTOR
- TEMP. ACTUATED SWITCH
- RESISTOR OR HEATING ELEMENT
- MOTOR WINDING
- TERMINAL
- TERMINAL BOARD
- LPCO
- HPCO
- POL. PLUG FEMALE HOUSING (MALE TERMINALS)
- POL. PLUG MALE HOUSING (FEMALE TERMINALS)

- CF FAN CAPACITOR
- LPCO LOW PRESSURE CUT-OUT
- CN WIRE CONNECTOR
- MS COMPRESSOR MOTOR CONTACTOR
- CPR COMPRESSOR
- ODT OUTDOOR THERMOSTAT
- CR RUN CAPACITOR
- OFT OUTDOOR FAN THERMOSTAT
- CS STARTING CAPACITOR
- PTCR POSITIVE TEMPERATURE COEFFICIENT RESISTOR
- CSR CAPACITOR SWITCHING RELAY
- TDL DISCHARGE LINE THERMOSTAT
- F INDOOR FAN RELAY
- TNS TRANSFORMER
- HPCO HIGH PRESSURE CUT-OUT
- IOL INTERNAL OVERLOAD PROTECTOR

From Dwg. 21D151825 P01

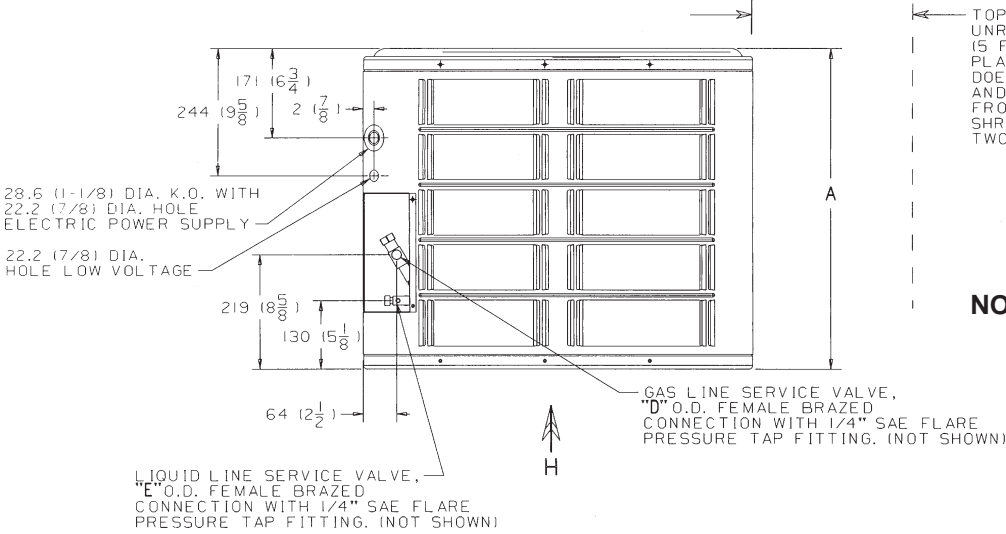
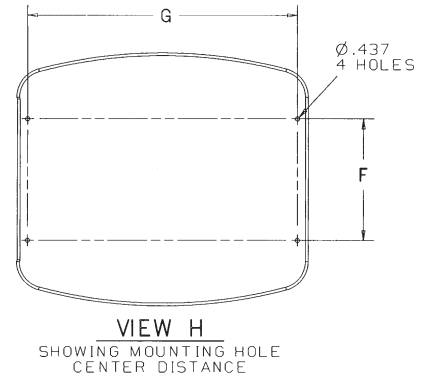
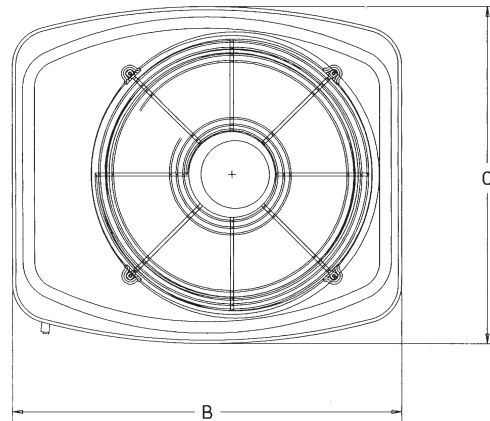
PRODUCT DATA

American Standard Inc., Tyler, TX 75711-9010

Dimensional Data

7A0018-060

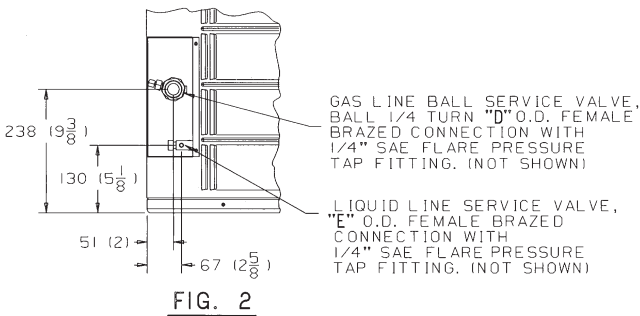
SERVICE PANEL →
ELECTRICAL AND REFRIGERANT COMPONENTS CLEARANCES PER PREVAILING CODES.



TOP DISCHARGE AREA SHOULD BE UNRESTRICTED FOR AT LEAST 1524 (5 FEET) ABOVE UNIT. UNIT SHOULD BE PLACED SO ROOF RUN-OFF WATER DOES NOT POUR DIRECTLY ON UNIT, AND SHOULD BE AT LEAST 305 (12") FROM WALL AND ALL SURROUNDING SHRUBBERY ON TWO SIDES. OTHER TWO SIDES UNRESTRICTED.

NOTE: ALL DIMENSIONS ARE IN MM (INCHES).

FIG. 1



MODELS	FIG.	A	B	C	D	E	F	G
7A0018A	1	619 (24-3/8)	746 (29-3/8)	651 (25-5/8)	5/8	1/4	311 (12-1/4)	689 (27-1/8)
7A0024A	1	619 (24-3/8)	746 (29-3/8)	651 (25-5/8)	3/4	5/16	311 (12-1/4)	689 (27-1/8)
7A0030A	1	619 (24-3/8)	746 (29-3/8)	651 (25-5/8)	3/4	5/16	311 (12-1/4)	689 (27-1/8)
7A0036A	1	727 (28-5/8)	746 (29-3/8)	651 (25-5/8)	7/8	3/8	311 (12-1/4)	689 (27-1/8)
7A0042A	1	619 (24-3/8)	746 (29-3/8)	651 (25-5/8)	7/8	3/8	311 (12-1/4)	689 (27-1/8)
7A0048B	1	832 (32-3/4)	746 (29-3/8)	651 (25-5/8)	1-1/8	3/8	311 (12-1/4)	689 (27-1/8)
7A0060B	2	832 (32-3/4)	876 (34-1/2)	772 (30-3/8)	1-1/8	3/8	406 (16)	821 (32-5/16)

From Dwg. 21D149570 Rev. 3

Mechanical Specifications

General

These models shall be fully charged from the factory for matched indoor section and up to 25 feet of piping. This unit must be designed to operate at outdoor ambient temperatures as high as 115°F. Cooling capacities shall be matched with a wide selection of air handlers and furnace coils that are A.R.I. certified. The unit shall be UL listed. Exterior must be designed for outdoor application.

Casing

Unit casing is constructed of heavy gauge, galvanized steel and painted with a weather-resistant powder paint finish.

Refrigerant Controls

Refrigeration system controls include condenser fan and compressor contactor. High and low pressure controls are inherent to the compressor. Another standard feature is the liquid line drier.

Compressor

The Duration™ compressor features a 5-year limited warranty, internal over temperature and pressure protection, total dipped hermetic motor windings. Other features include: roto lock suction and discharge refrigerant connections, centrifugal oil pump and low vibration and noise.

Condenser Coil

The Spine Fin™ coil shall be continuously wrapped, corrosion resistant all aluminum with minimum brazed joints. This coil is 3/8 inch O.D. seamless aluminum glued to a continuous aluminum fin. Coils are lab tested to withstand 2,000 pounds of pressure per square inch and feature a 5-year limited warranty.

Low Ambient Cooling

As shipped, this unit has a cooling capability to 55°F. The addition of an evaporator defrost control permits operation to 40°F. The addition of an evaporator defrost control with TXV permits low ambient cooling to 30°F.

Accessories

Thermostats — Heating/Cooling (manual and automatic changeover). Sub-base to match thermostat and locking thermostat cover.

Quick Start Kit — Permits low voltage operation to 180 volts or for evaporator coils with non-bleed expansion devices.

Evaporator Defrost Control — See Low Ambient Cooling.

Since American Standard has a policy of continuous product improvement, it reserves the right to change specifications and design without notice.

Technical Literature - Printed in U.S.A.

American Standard Inc.

Troup Highway

Tyler, TX 75711-9010